

MODEL MX200 SERIES MICROPHONES



Shure Microflex® MX200 Series microphones are miniature electret condenser microphones designed for miking choirs and performance groups. They are typically suspended over the heads of the performers. Their high sensitivity and wide frequency range make them suitable for recording, as well as sound reinforcement applications. An attached 101 mm (4 in.) gooseneck allows them to be easily aimed at the sound source.

FEATURES

- Wide dynamic range and frequency response for accurate sound reproduction across the audio spectrum
- Interchangeable cartridges that provide an optimal polar pattern choice for each application
- Balanced, transformerless output for increased immunity

- to noise over long cable runs
- Supplied stand-mount adapter for portable applications (in-line preamplifier versions only)
- White or black finish that blends unobtrusively with most surroundings

SPECIFICATIONS

Frequency Response (Figure 1)

50 to 17,000 Hz

Polar Pattern (Figure 2)

Output Impedance

EIA Rated at 150 Ω (180 Ω actual)

Sensitivity (At 1,000 Hz, open circuit voltage*)

Cardioid: -35.0 dBV/Pa (17.8 mV)

Supercardioid: -33.5 dBV/Pa (21.1 mV)

Omnidirectional: -27.5 dBV/Pa (42.2 mV)

*1 Pascal = 94 dB SPL

Maximum SPL (1 kHz at 1% THD, 1 k Ω load)

Cardioid: 124.2 dB

Supercardioid: 122.7 dB

Omnidirectional: 116.7 dB

Equivalent Output Noise (A-weighted)

Cardioid: 28.0 dB SPL

Supercardioid: 26.5 dB SPL

Omnidirectional: 20.5 dB SPL

Signal to Noise Ratio (referenced at 94 dB SPL)

Cardioid: 66.0 dB

Supercardioid: 67.5 dB

Omnidirectional: 73.5 dB

Dynamic Range at 1 k Ω Load

96.2 dB

Common Mode Rejection

45.0 dB minimum

Preamplifier Output Clipping Level (1% THD)

-6.0 dBV (0.5 V)

Polarity

Positive sound pressure on diaphragm produces positive voltage on pin 2 relative to pin 3 of output connector.

Power Requirements

11 to 52 Vdc phantom, 2.0 mA

Environmental Requirements

Operating Temperature Range: -18° C to 57° C (0° F to 135° F)

Relative Humidity: 0 to 95%

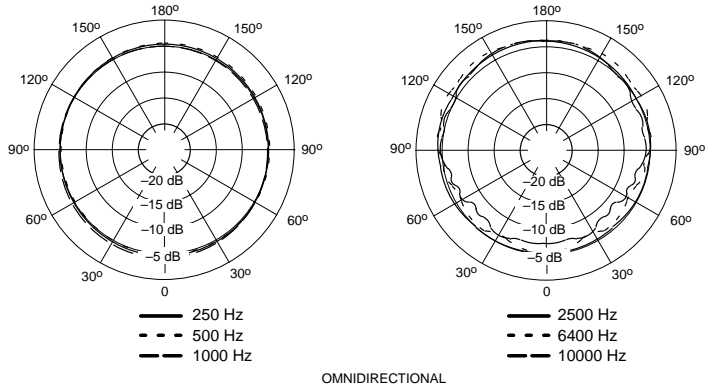
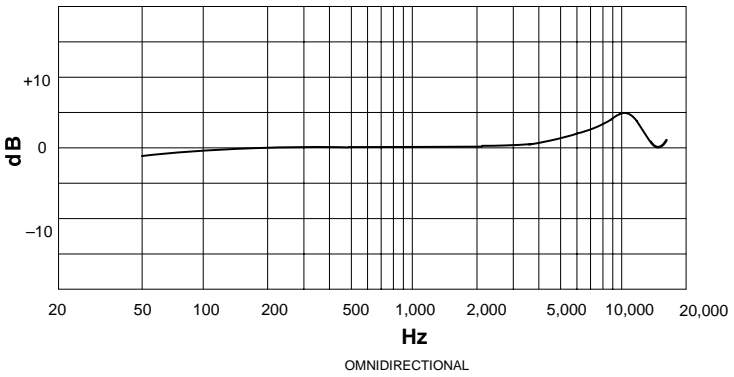
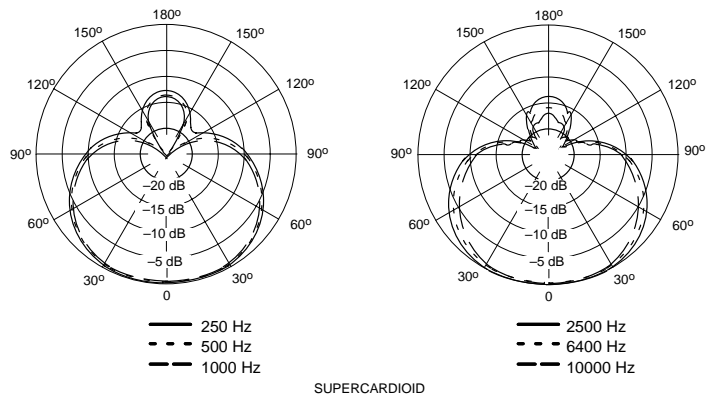
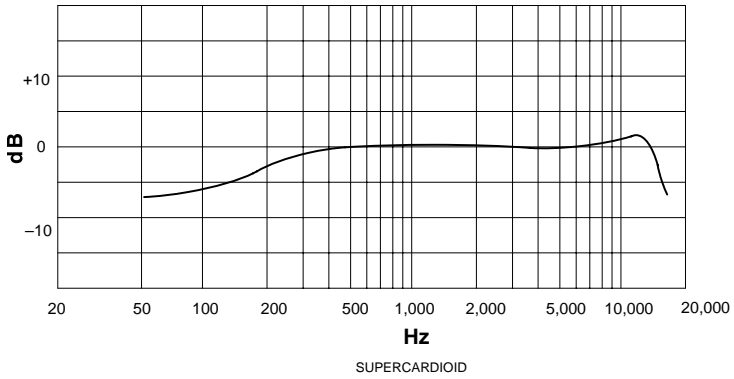
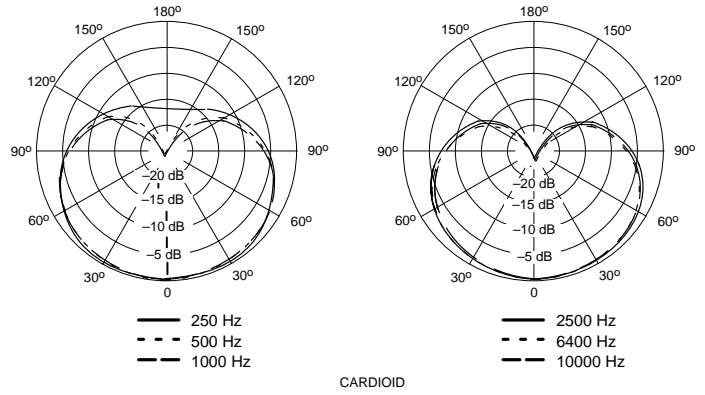
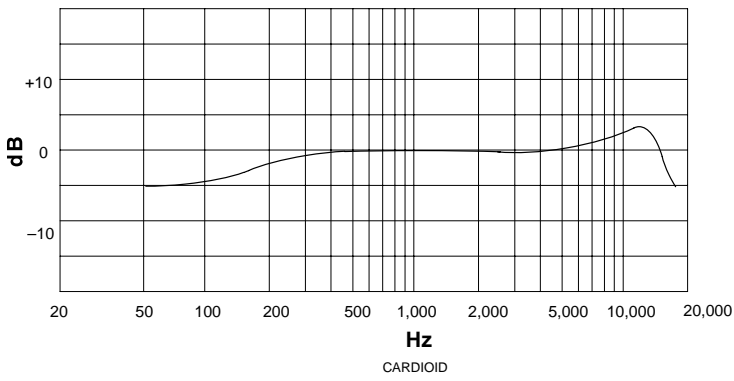
Dimensions (Figure 3)

CERTIFICATION

Eligible to bear CE Marking. Conforms to European EMC Directive 89/336/EEC. Meets applicable tests and performance criteria in European Standard EN55103 (1996) parts 1 and 2, for residential (E1) and light industrial (E2) environments.

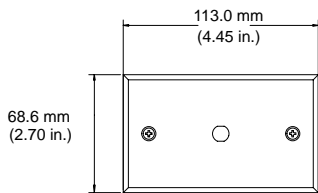
REPLACEMENT PARTS

Omnidirectional Cartridge (Black)	R183B
Omnidirectional Cartridge (White)	R183W
Supercardioid Cartridge (Black)	R184B
Supercardioid Cartridge (White)	R184W
Cardioid Cartridge (Black)	R185B
Cardioid Cartridge (White)	R185W
Snap-Fit Windscreens (Black, 4 per pkg.)	RK183WS
Preamplifier kit, plate mounted	RK202PK
Stand Adaptor	65B1752

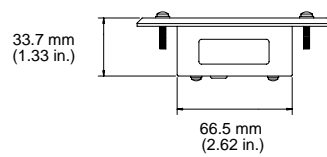


TYPICAL FREQUENCY RESPONSE
FIGURE 1

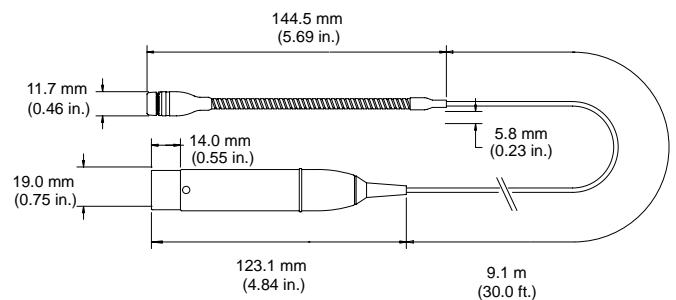
TYPICAL POLAR PATTERNS
FIGURE 2



COVER PLATE



PREAMPLIFIER HOUSING



DIMENSIONS
FIGURE 3