



CANFORD 19" WOODEN WALLMOUNT RACK POD

11-462 WALLMOUNT WOODEN RACK POD 2U Ash

11-463 WALLMOUNT WOODEN RACK POD 3U Ash

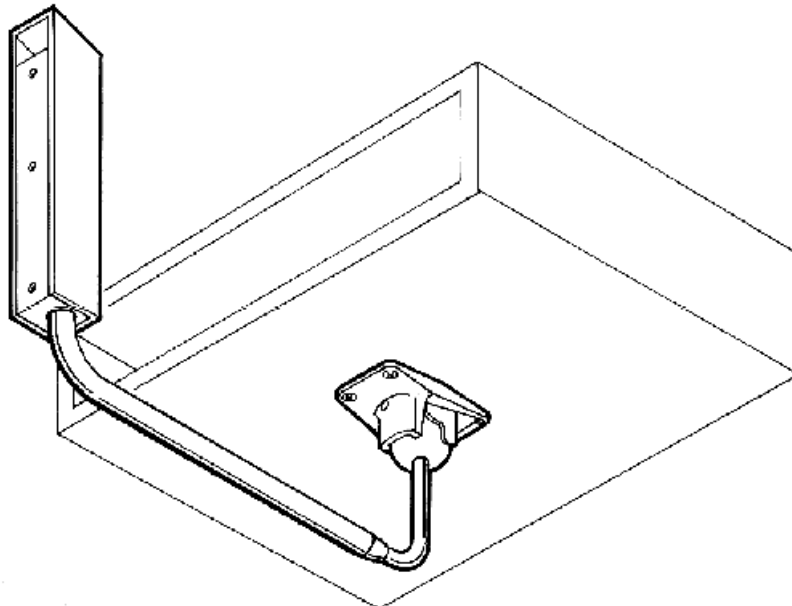
11-464 WALLMOUNT WOODEN RACK POD 4U Ash

These units provide an attractive housing for rackmounted equipment that needs to be placed on a wall or ceiling, such as rackmounted PPM's, timecode readers etc. They can also be a useful way of placing sound processing equipment in easy reach in confined spaces. Made from solid ash and ash veneered high density particle board, the pod has punched rack angle in front face and 100WBX threaded inserts for Omnimount 100 series mountings.

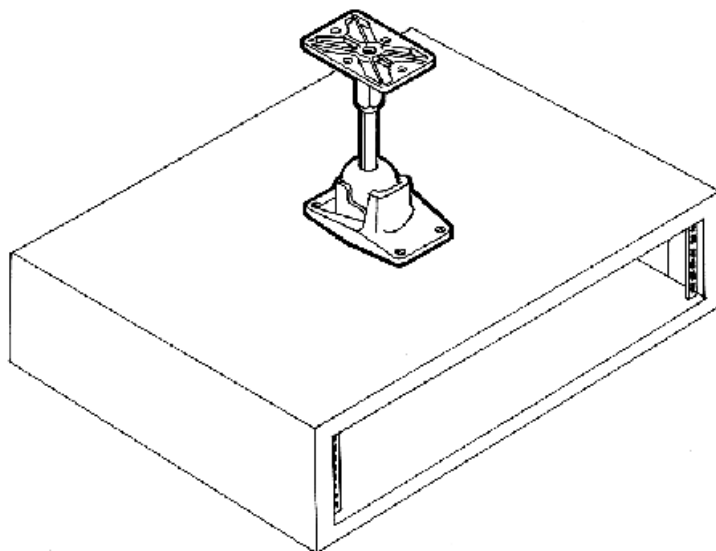
For wallmount, use 100 WBX (stock code 18-576, not included with pod). For ceiling mounting, simply invert the pod and use Omnimount 100STX-MP (stock code 18-588 not included with pod) or 100STX-MTA and 100 MCP and M16 threaded rod (stock codes 18-587, 18-664 and 14-984 respectively - not included with pod) as appropriate, depending on ceiling fit and drop required.

Safety note: The Canford and Omnimount parts have individually been tested to adequate safety margins. However the final weight rating is entirely dependent upon the effectiveness of the final fixing in situ. This is in your hands! Read ALL instructions and take ALL precautions to ensure a safe and effective installation.

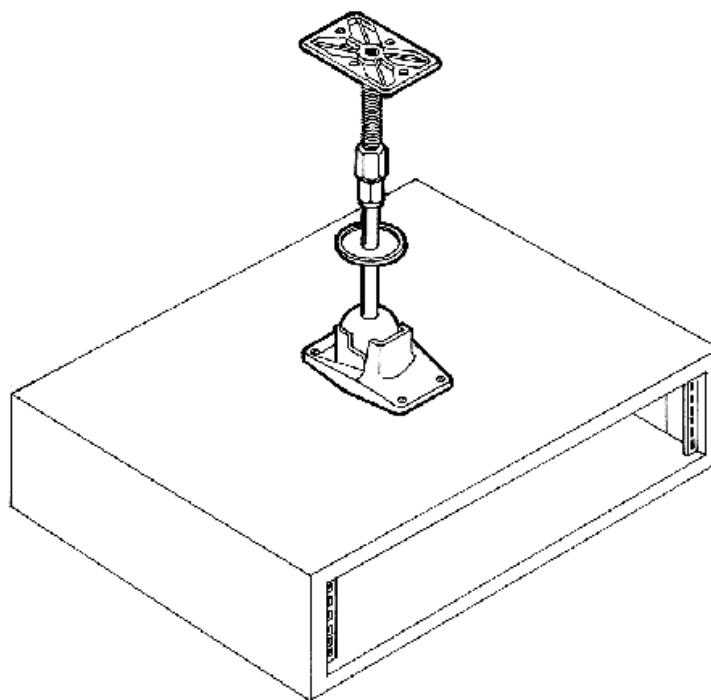
Maximum weight rating: 24.9kg.
Dimensions: Height: 2, 3 or 4U
Width: 19"
Overall depth: 380mm.



Wall mounting arrangement using Omnimount bracket 100WBX (stock code 18-576, not included with pod)



Ceiling mounting arrangement using Omnimount 100STX-MP (stock code 18-588, not included with pod)



Ceiling Mount arrangement where suspension from a high ceiling or through false ceiling is required, using Omnimount parts:

- 100STX-MTA (stock code 18-587),
- 100MCP (stock code 18-664)
- M16 Threaded Rod (stock code 14-984)

NB: None of these parts are included with the Pod.