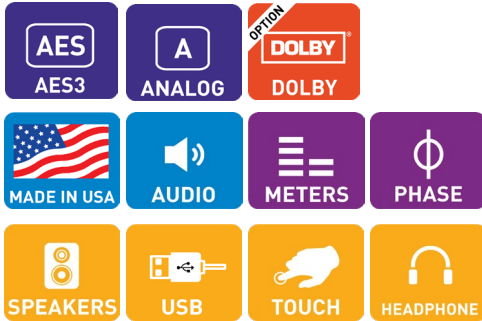


eAMP1-S8-DA

AES3 & Analog Audio Monitoring & Metering with Optional Signal Upgrades



8 channel, baseband only AES3 & analog audio monitor with a 7" wide touchscreen and a shallow depth.



OPT-*e* package adds:

- Presets
- Loudness Monitoring
- Web metering/monitoring /configuration
- Output routing

The eAMP1-S8-DA offer fast and intuitive confidence monitoring of AES3 and analog audio sources. Whether in the studio or on the road, this unit provides simultaneous selection and summing of the selected source. It features adjustable volume and balance controls, clear display of levels, and phase indications.

Flexible & Adaptable

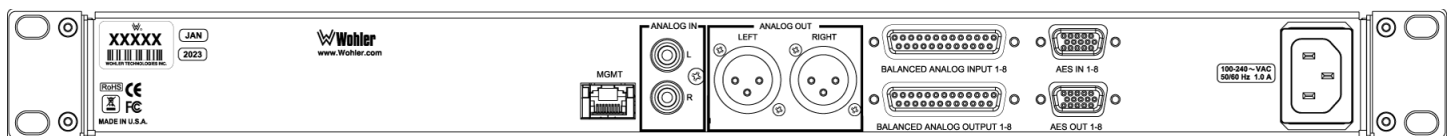
The eAMP1-S8-DA is designed to be much easier to operate than the retired S8's and includes a wide 7" LCD touchscreen display providing fast access to input sources, meters and menus, all augmented by hardware controls. And while we are putting our best price forward with a basic monitoring package that includes AES and Analog inputs (no IP options), a software upgrade package that includes loudness, presets, web meters/monitoring/configuration and customized output routing is available to bring its functionality in line with the more recent iSeries offerings in our price list. Dolby D, and E decoding are also optional add-ons.

Features/Benefits

- Low cost and energy efficient
- Simultaneous level metering of 8 de-embedded audio channels from AES or Analog sources
- Quick, intuitive push-button or touch selection of any channels or pairs to sum, mute or solo
- Monitor through built-in speakers, headphones or analog outputs with Optional muting for internal speakers
- Stereo phase indicators
- Adjustable Volume and Balance
- Balanced stereo analog outputs on XLR-Ms. Fixed level or volume/balance controlled.
- Automatic frame rate detection and selection
- Selectable line level or front panel volume control and outputs
- Shallow chassis depth for easy installation in OB vehicles and consoles
- OPT DOLBY adds decoding of *Dolby D, DD+ & E (requires OPT-*e* package)
- APIs provide easy integration with 3rd party systems (requires OPT-*e* package)

Model	Part ID	Description
eAMP1-S8-DA	8300-0100	1RU - includes 4 pairs of AES in/out, 8 channels of Analog in/out, a pair of Analog inputs on RCA and a pair of Analog outputs on XLR.
Options		
OPT- <i>e</i> package	829186	Adds Loudness monitoring, Presets, Web metering/monitoring/configuration and Output routing
OPT-DOLBY	829174	Allows decoding and monitoring of Dolby® D, DD+ & E. Includes Dolby Zoom & metadata. *This option requires OPT- <i>e</i> package

Rear Panel

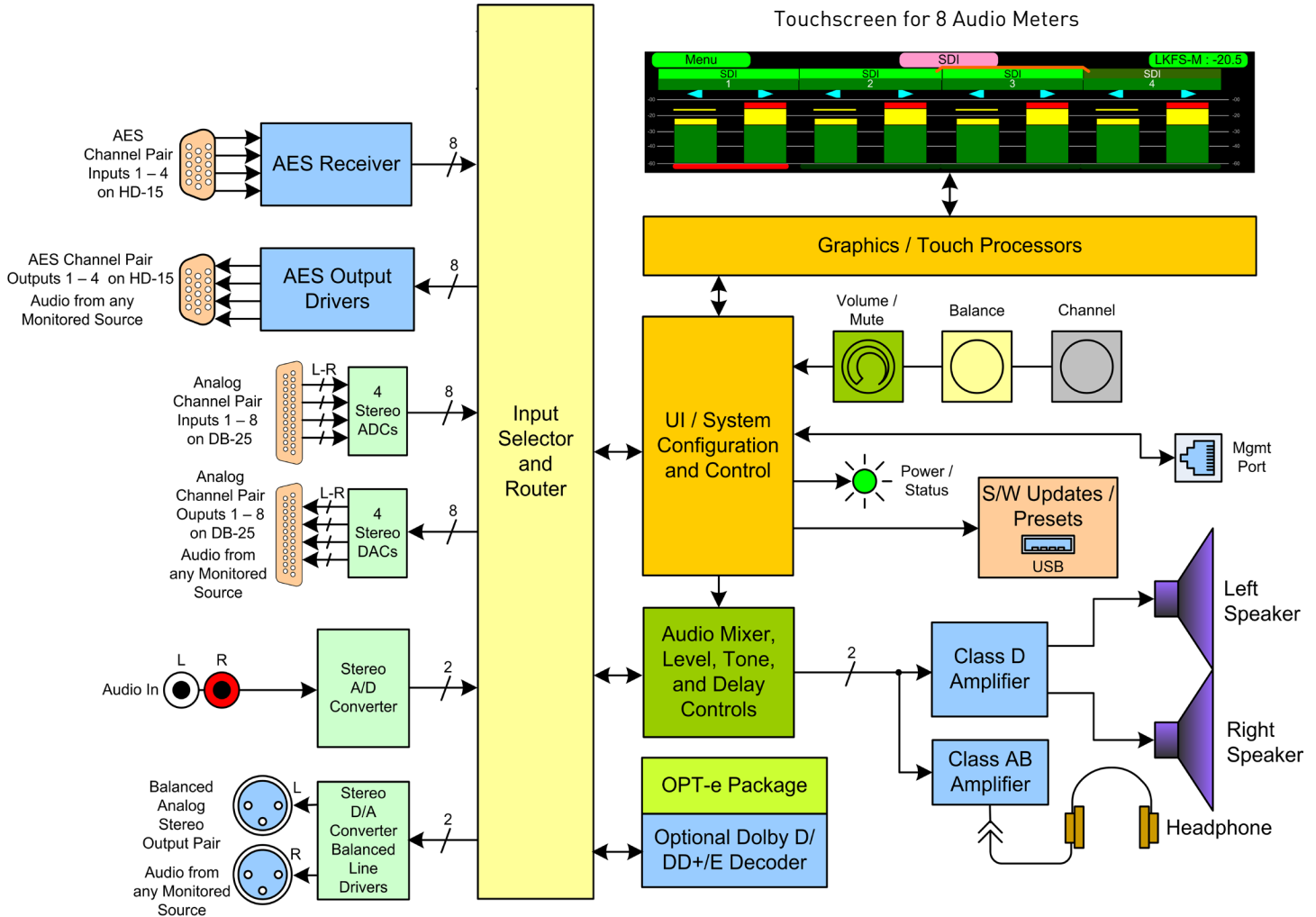


eAMP1-S8-DA



AES3 & Analog Audio Monitoring & Metering with Optional Signal Upgrades

Block Diagram



Specifications	
Dimensions (W x H x D)	1RU in standard 19" rack: 19" x 1.75" x 5.5" (483 mm x 45 mm x 140 mm). Shipping dims: 23" x 6" x 12"
Shipping Weight / Net Weight	5.75 lbs. (2.6 kg) / 3.15 lbs. (1.4 kg)
Power Consumption / Supply	19W, 100 to 240 VAC ± 10%, 50-60 Hz, CE & UL approved
Display Type / Resolution	7" (178 mm) LCD Capacitive Touchscreen; 1242H x 280V
Viewing Angle	160 (H) x 160 (V)
Audio Channels	eAMP-S8-DA (8 Max)
Hum and Noise	Better than -68 dB below full output
Peak Acoustic Output	90 dB SPL @ 2 feet
Speaker Power Output	5W RMS per side, 12W Peak
Upgrades	Via USB or GUI web interface

Specifications subject to change, errors and omissions excepted
 All trademarks, product names and images are the property of their respective owners
 Any rights not expressly granted herein are reserved. REV: 06/06/23