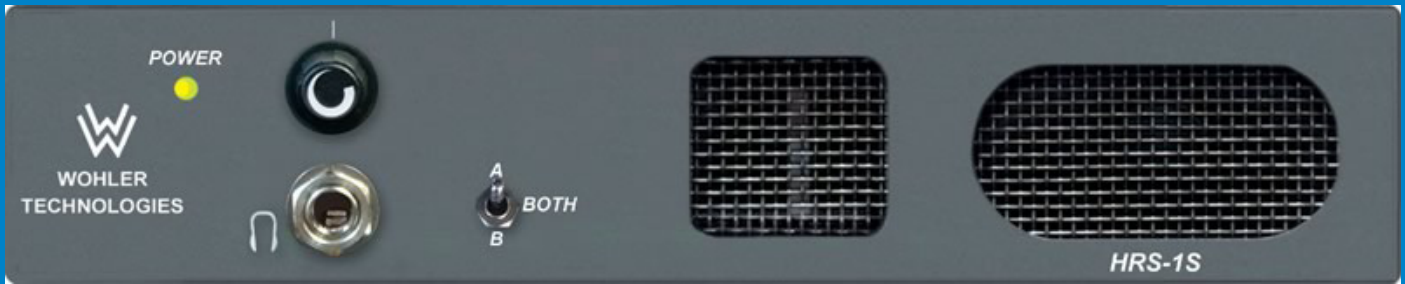


# Half-Rack Stereo Audio Monitor

HRS-1S



Compact 2-channel half-rack analog audio monitor with A, B or summed operation.



The HRS-1S provides self-powered, full-fidelity audio monitoring of 2 analog channels in the smallest space possible (half-width 1 RU). This unit contains two high performance transducers driven by two power amplifiers: one amplifier/driver combination handles midrange and high frequency information, while the second handles summed low frequency information below the 500 Hz crossover point.

The unique design allows this unit to fit almost anywhere, and provides optimally focused sound for operators in an ultra near field (1 to 3 ft.) working environment. This provides for a higher SPL for the operator while reducing overall ambient sound and adjacent bay crosstalk.

Extended HF response reveals potential problems with audio whine or hiss. Electronic rather than acoustic cancellation of bass frequencies provides positive audible detection of out-of-phase (reversed polarity) audio feeds. A headphone jack is provided on the front panel, usage automatically mutes the speakers. Output limiter circuits are incorporated to protect the speakers, and extensive magnetic shielding allows placement immediately adjacent to video monitors with no color impurities.

## Features

- Premium quality subwoofer and midrange speaker
- High quality AMP Series internal amplifier
- 2 balanced analog Inputs with loop-through (1 stereo)
- 95dB SPL at 2 feet (0.6m)
- Premium quality drivers and power amplifiers
- Headphone jack mutes speakers
- Headphone jack mutes speakers
- Stereo phase indicator for stereo pairs
- Includes outputs for 8 analog channels on a balanced DB-25

## Benefits

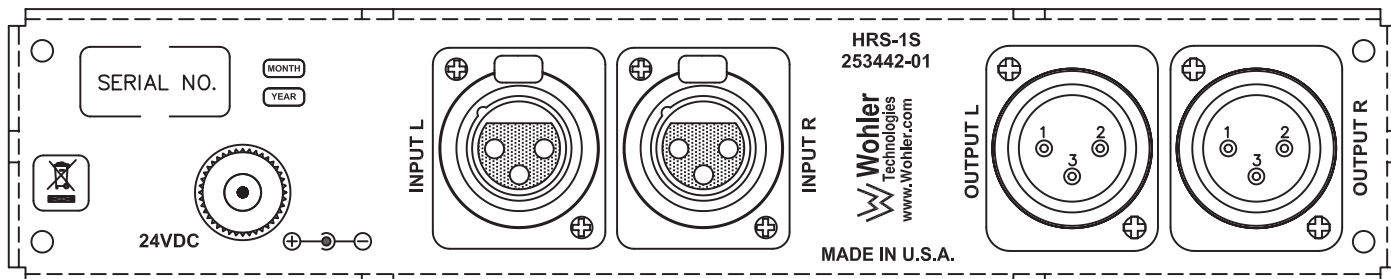
- Thorough magnetic shielding for placement next to sensitive equipment.
- Extended frequency response and low distortion
- Electronic cancellation of bass frequencies provides audible indication of phase/polarity problems.
- Incredibly compact, fits almost anywhere, 1/2 rack wide (8.5"), 1RU high.
- Quick and simple installation
- Focused sound reduces adjacent bay crosstalk

ORDER PART NUMBER  
HRS-1: 8100-0310

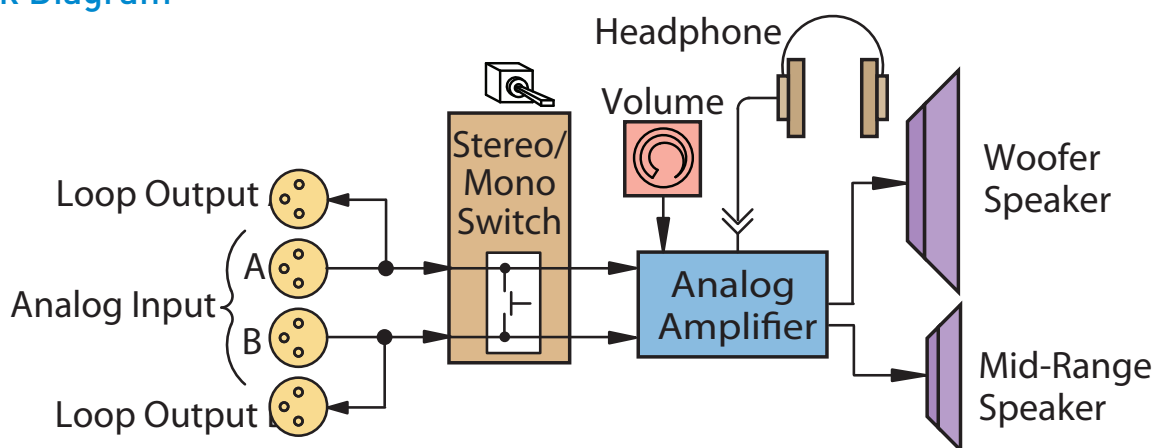
# Half-Rack Stereo Audio Monitors

HRS-1S

## Rear Panel



## Block Diagram



## Specifications

[View the complete list of specifications online at wohler.com](http://www.wohler.com)

Dimensions (W x H x D)	1.75" x 8.5" x 7.5" (44.5 mm x 216 mm x 190 mm)
Shipping Weight / Net Weight	7 lbs (3.17 kg)
Space Requirements	Half-width of 1RU in a standard 19" rack
Supplied Accessories	AC external power unit/cord
Power Requirements	Power to the unit is 24V DC, 3.0 A. The external power supply then connects to mains power (100 to 240 VAC ± 10%, 50/60Hz).
Power Consumption	35 W
Inputs	1 pair analog (3-in XLR-F) (left and right)
Outputs	1 pair analog (3-in XLR-M) (left and right)
Analog Input Impedance	40k $\Omega$ balanced
Input level for maximum output (volume full on)	0 dBV balanced; +10 dB unbalanced
Input overload	+26 dBV balanced; +14 dBV unbalanced
Peak acoustic output (at 2 ft.)	95 dB SPL
Hum and noise	Better than -68 dB below full output

**Wohler Technologies, Inc.**  
Worldwide Headquarters  
31055 Huntwood Avenue  
Hayward, CA 94544 USA  
Phone: +1 510 870 0810  
Email: sales@wohler.com

**Wohler Technologies/APAC**  
45/F, The Lee Gardens  
33 Hysan Avenue  
Causeway Bay, Hong Kong  
Phone: +852 3180 2240  
Email: sales@wohler.com

**Wohler Technologies/EMEA**  
Suite 3, Medaxon House  
Mill Mead, Staines  
TW18 4UQ, UK  
Phone: +44 (0) 1784 779815  
Email: sales@wohler.com

Infinite Possibilities.



One Wohler.