

48-708 TELEGARTNER BNC Male cable, crimp, 75 ohm, group L

48-768 TELEGARTNER BNC Male cable, crimp, 75 ohm, group L (pack of 100)

**Mechanical Characteristics:**

Cable Group:	Canford	L	Telegartner	G13
Interface dimensions acc. to	IEC 61169-8			
Mating life	>500			

**Materials**

Centre contact	CuZn39Pb3
Outer contact	CuZn39Pb3
Other metal parts	CuZn39Pb3
Crimp ferrule	SF C w
Insulator	PTFE
Gasket	Silicone

**Finish**

Cu1Ni2Au0.8
Cu2Ni5
Cu2Ni5
Ni5

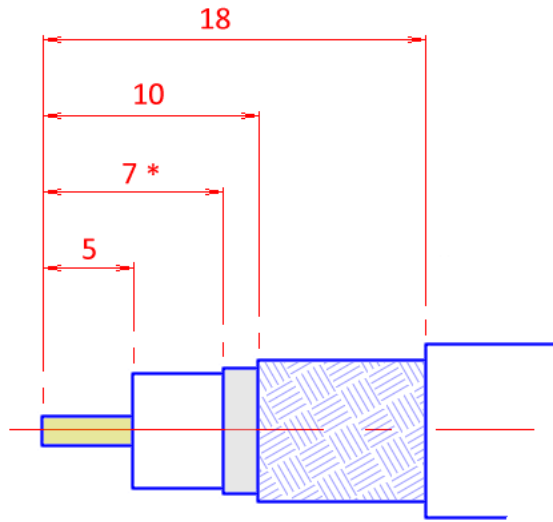
**Electrical characteristics:**

Impedance	75 Ω
Frequency	0-4 GHz
Working voltage	≤ 0.5 kVeff / 50 Hz
Voltage proof	1.5 kVeff / 50 Hz
Insulation resistance	≥ 5 GΩ
Centre contact resistance	≤ 20 mΩ
Outer contact resistance	≤ 5 mΩ

**Environmental:**

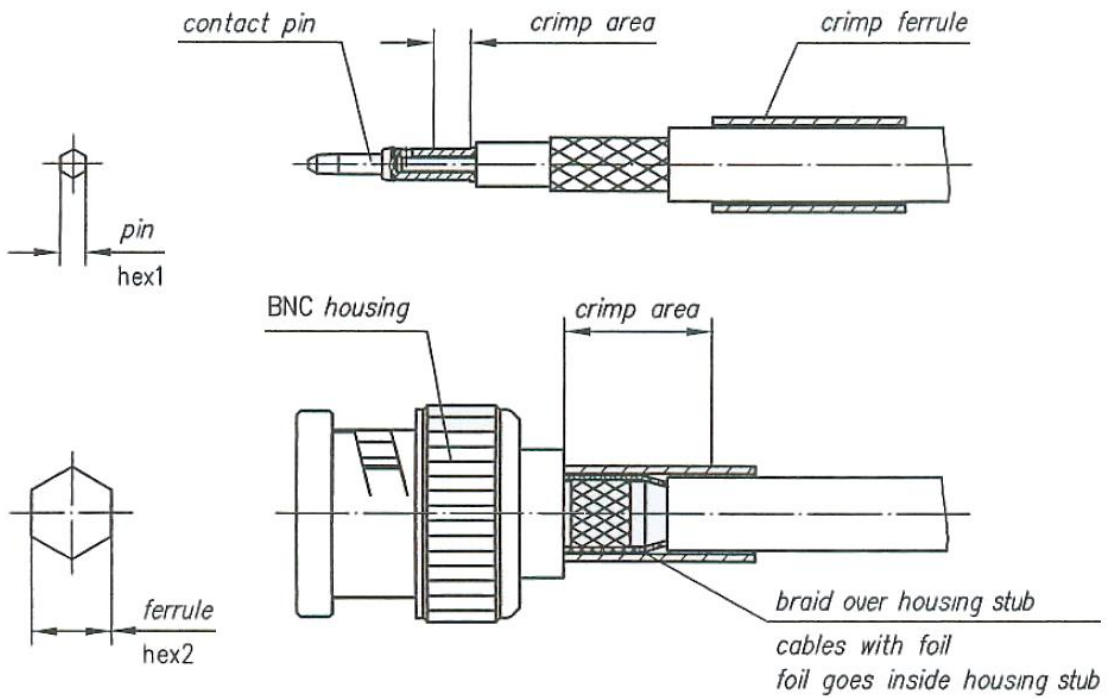
Operating temperature	-65°C to +165°C
RoHS compliant	2011/65/EU

**Cable Prep:**



All dims: mm  
 Not to scale  
 \* To foil screen if present

**Crimp Details:**



Hex1	Pin	1.69
Hex2	Ferrule	5.41

**Tooling:** Currently Canford does not stock a single die set that accommodates both pin & ferrule so below are listed suitable separate die sets

- Handtool: 55-752 PALADIN 8000 Coaxial crimp tool
- Die set – Pin: 55-764 PALADIN 3703 DIE SET for group Y and Telegartner BNC HD groups Q, X, Y
- Die set – Ferrule: 55-763 PALADIN 2699 DIE SET for groups B,Q,Y and Belden 1505A,1855A