

OUTLINE

The Sony **ECM-673** is a short shotgun, electret condenser-type microphone which delivers excellent sound performance in field and studio production applications at an affordable price. Optimised for use with Sony compact camcorders such as the HDV Series and DVCAM Series, the ECM-673 offers high-sensitivity, low-noise characteristics and a flat-and-wide frequency response in a compact and lightweight body. In addition, its highly directional response and extreme durability allow clear voice pickup, even in harsh operational environments. With its high performance, compact design and high durability, the ECM-673 microphone is an ideal choice for quality-critical sound-acquisition applications.

FEATURES

Superb Sound Quality

The ECM-673 offers an excellent sensitivity of -36 dB (0 dB=1 V/Pa) and a low inherent-noise level of less than 17 dB SPL. This allows the microphone to be used for clear voice pickup, even in noisy environments.

Flat-and-wide Frequency Response

This microphone has a flat-and-wide frequency response (40 Hz to 20 kHz) and delivers extremely smooth and natural sound reproduction.

Compact and Lightweight Design

The ECM-673 has been designed as a highly directional, compact and lightweight short shotgun microphone. It measures only 200 mm (7 7/8 inches) in length and weighs just 135 g (4.76 oz), maintaining good balance even when mounted on compact camcorders.

High Durability and Reliability

The vibration-resistant mechanism of the microphone offers high durability and reliability, making it suitable for the harsh environments that can be encountered in field sound-acquisition.

Built-in Low-cut Filter

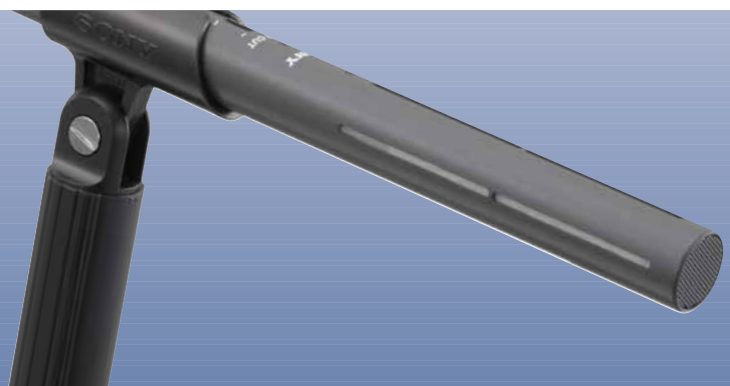
The built-in two-position (M, V) low-cut switch on the ECM-673 provides a simple method of reducing the effects of unwanted ambient noise.



The ECM-673 attached to a Sony HVR-A1E camcorder

ECM-673

ELECTRET CONDENSER MICROPHONE

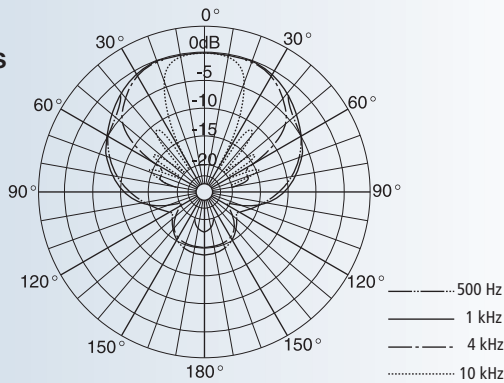


ECM-673 SPECIFICATIONS

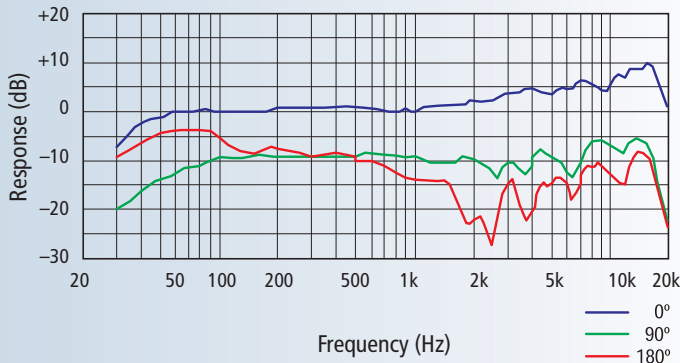
Capsule type	Electret condenser
Directivity	Uni-directional (super-cardioid)
Frequency response	40 Hz to 20 kHz
Sensitivity (at 1 kHz)	-36 dB ¹ ±3 dB
Output impedance (at 1 kHz)	220 Ω ±20%
Dynamic range	107 dB or more
Signal-to-noise ratio	77 dB or more (IEC179 A-weighted, 1 kHz, 1Pa)
Inherent noise	17 dB SPL ² or less
Wind noise	45 dB SPL ² or less (with windscreen), 50 dB SPL ² (without windscreen)
Induction noise from external magnetic field	0 dB SPL ² or less
Maximum input sound pressure level	124 dB SPL ²
Power requirements	DC 40 to 52 V
Dimensions	ø20 x 200 mm (ø13/16 x 7 7/8 inches)
Mass	Approx. 135 g (4.76 oz)

(*1) 0 dB=1 V/Pa, at 1 kHz (*2) 0 dB=20µ Pa

Directivity Characteristics



Frequency Response Characteristics



Supplied Accessories

- Windscreen (x1)
- Microphone holder (x1)
- Microphone spacer (x1)
- Microphone cable (x1)
- Operating instructions (x1)



SERVICES FROM **SONY**

Recognising that every company and every challenge is unique, we offer a complete and comprehensive range of services all the way through consulting, planning, financing, implementation, training, servicing, maintenance and support. Choose exactly what's right for you, when and where you need it.

- Sony Professional Services: Tailor-made design, installation and project management of audio-visual and IT (AV/IT) systems using skills developed over 25 years of systems integration.
- Sony Financial Services: Innovative and flexible finance solutions designed to meet budgetary and financial requirements and constraints, enabling businesses to always have the most current technology.
- Sony Training Services: A range of off-the-shelf or customised training services from basic operation through to high-level technical maintenance.
- Sony Prime Support Services: Fully integrated and customised support for products and systems throughout their operational life, combining proactive and reactive technical services.

Not all services are available in all countries. If you'd like to find out more about what we do, who we do it for and how we do it, visit www.sonybiz.net or contact your local Sony office.

SONY

Specialist Dealer

Sony Specialist Dealers receive extensive training on all our products and services. They combine this with an in-depth knowledge of the market, ensuring you get advice that meets your needs before and after purchase. To find your nearest Sony Specialist Dealer visit our "dealer locator" at: www.sonybiz.net/dealer

©2006 Sony Corporation. All rights reserved. Reproduction in whole or in part without written permission is prohibited. Features and specifications are subject to change without notice. All non-metric weights and measurements are approximate. Sony and DVCAM are trademarks of Sony Corporation. HDV and HDV logo are trademarks of Sony Corporation and Victor Company of Japan, Limited (JVC).
CA ECM-673/GB- / /2006

www.sonybiz.net/media

SONY