



## Sennheiser Documentation App



or online at  
[www.sennheiser.com/download](http://www.sennheiser.com/download)  
 evolution wired\_



# e 908

Quick Guide  
 Kurzanleitung  
 Guide rapide  
 Guida rapida  
 Guía de inicio rápido  
 Guia rápido  
 Beknopte handleiding  
 Krótka instrukcja obsługi  
 Snabbguide

Kvikstartguide  
 Pikaohje  
 Γρήγορος οδηγός  
 Kısa Kılavuz  
 Краткая инструкция  
 快速指南  
 快速使用指南  
 クイックガイド  
 퀵 가이드

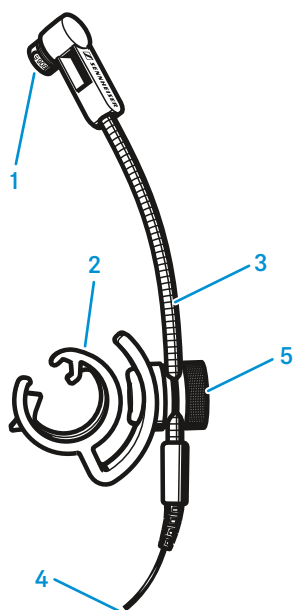
Sennheiser electronic GmbH & Co. KG

Am Labor 1, 30900 Wedemark, Germany  
[www.sennheiser.com](http://www.sennheiser.com)

Publ. 06/19, 581336/A02

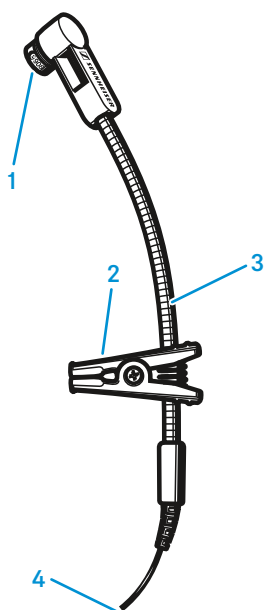
## SENNHEISER

### Overview



#### e 908 D

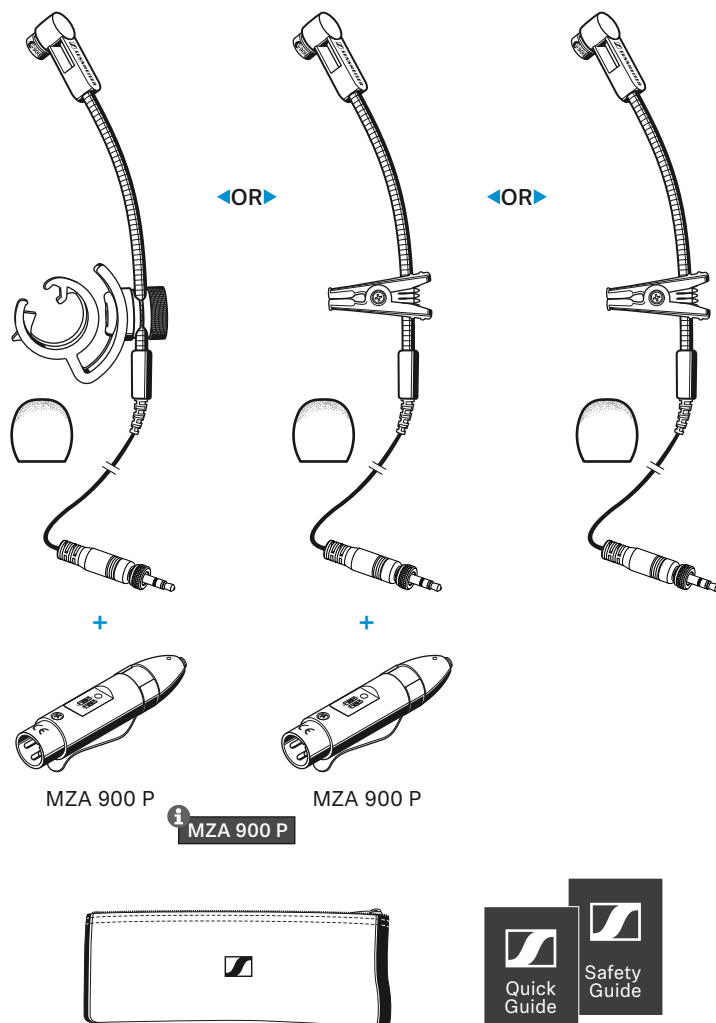
- 1 Microphone head
- 2 MZH 908 D microphone clamp
- 3 Gooseneck
- 4 XLR-3 connector
- 5 Knurled screw



#### e 908 B/e 908 B ew

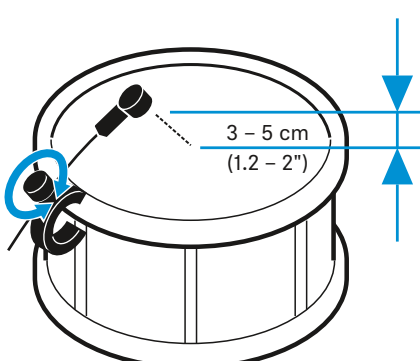
- 1 Microphone head
- 2 MZH 908 B microphone clamp
- 3 Gooseneck
- 4 • XLR-3 connector (e 908 B only)  
• 3.5 mm jack (e 908 B ew only)

### In the box

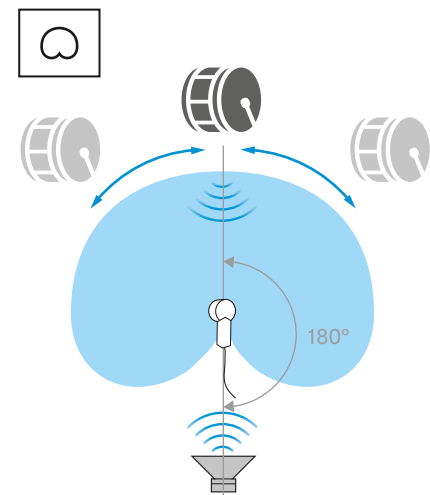
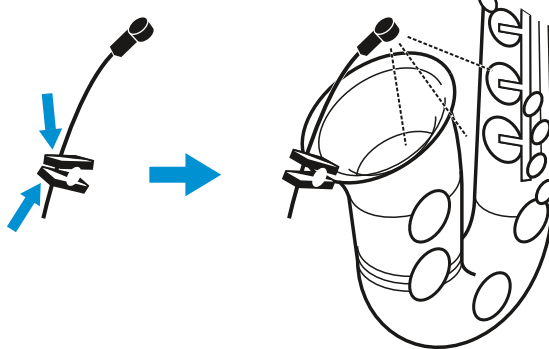


### Setup

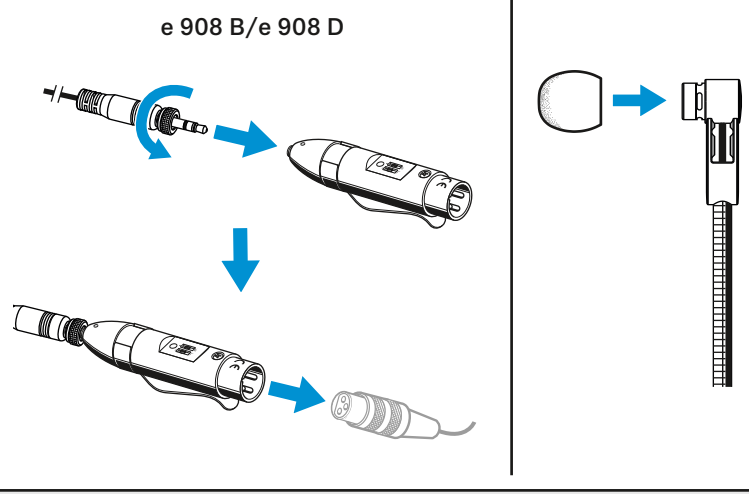
#### MZH 908 D



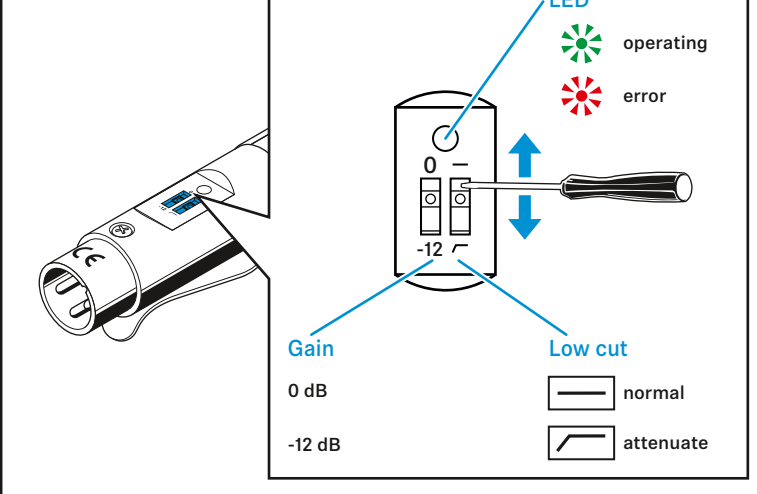
#### MZH 908 B



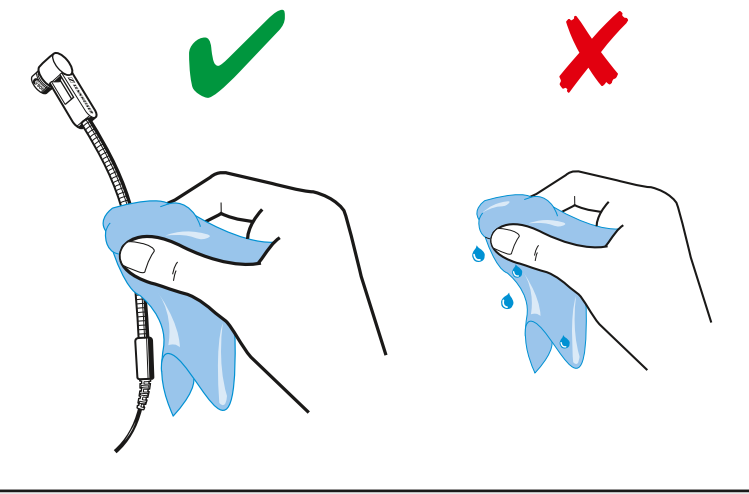
### Setup



### MZA 900 P



### Cleaning



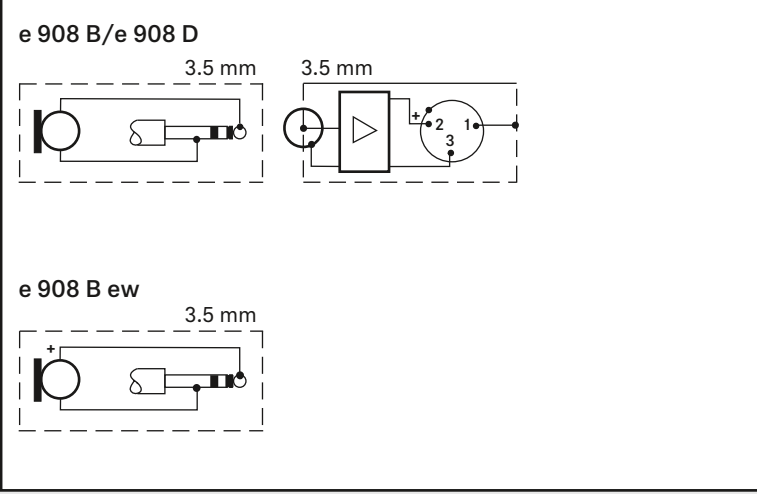
### Specifications

Transducer principle	pre-polarized, condenser microphone
Frequency response	40 - 20,000 Hz
Pick-up pattern	cardioid
Sensitivity (free field, at 1 kHz)	4.0 mV/Pa
Nominal impedance (at 1 kHz)	100 Ω (balanced)*
Min. terminating impedance	2 kΩ*
Max. sound pressure level (active)	
e 908 B, e 908 D	35 dB(A)
e 908 B ew	30 dB(A)
Phantom powering	12 - 48 V*
Connector	
e 908 B, e 908 D	XLR-3*
e 908 B ew	3.5 mm jack
Dimensions	∅ 47 x 193 mm
Weight	140 g

\* with MZA 900 P (e 908B/e 908 D)  
e 908 B ew for direct connection to ew transmitters

Frequency response	20 - 20,000 Hz (-1 dB)
Gain, switchable	0/-12 dB
Roll-off filter, switchable	125 Hz (- 3 dB), 12 dB/oct.
Max. output voltage at	
0 dB gain	1.8 V (P48); 0.6 V (P12)
-12 dB gain	0.45 V (P12 - P48)
Noise voltage at the output	A-weighted: 3 μV (0/-12 dB) CCIR-weighted: 12 μV (0/-12 dB)
Output impedance	100 Ω
Min. load impedance at	
0 dB pre-attenuation	5 kΩ (P12 - P48)
-12 dB pre-attenuation	2 kΩ (P12 - P48)
Power supply	P12 - P48; 10 - 52 V; 2.6 - 2.8 mA
Connector	XLR-3
Input socket	3.5 mm jack socket, lockable
Dimensions	∅ 19/22 mm, L 100 mm
Weight	60 g
Operating temperature range	-20 to +60 °C
Humidity range	< 95 % r. h.

### Connector assignment



### Polar pattern and frequency response

