

FEATURES

- Rugged microphone button
- Unobtrusive and timeless design
- Bi-color status indication
- Made in Germany



Elegant and low-key in its appearance, the sturdy **MAS 1** microphone button makes mic control a breeze. Connected to the MAS 133 inline switch box it can control any XLR-connected microphone by means of programmable microphone activation modes (PTT, PTM, toggle ON/off, permanent on). For clear status indication the MAS 1 comes with a bi-color status indicator.

ARCHITECT'S SPECIFICATION

The sturdy microphone button shall be designed for connection to the Sennheiser MAS 133 inline switch box or other logic enabled devices. A bi-color LED ring shall be provided for status indication. The microphone button shall have an XLR-5M connector and an M20 thread. The microphone button shall operate on 12 V phantom power, current consumption shall be 1.5 mA max. The levels for LED activation shall be 12 V, current consumption of the LED ring shall be 3 mA. Dimensions shall be 28.5 mm (1.12") in diameter and 81 mm (3.19") in total height. The installation height shall be 8 mm (0.31"). Weight shall be 60 grams (2.15 oz). Operating temperature shall range from -10 °C to +50 °C (+14 °F to +122 °F). The microphone button shall be the Sennheiser MAS 1.

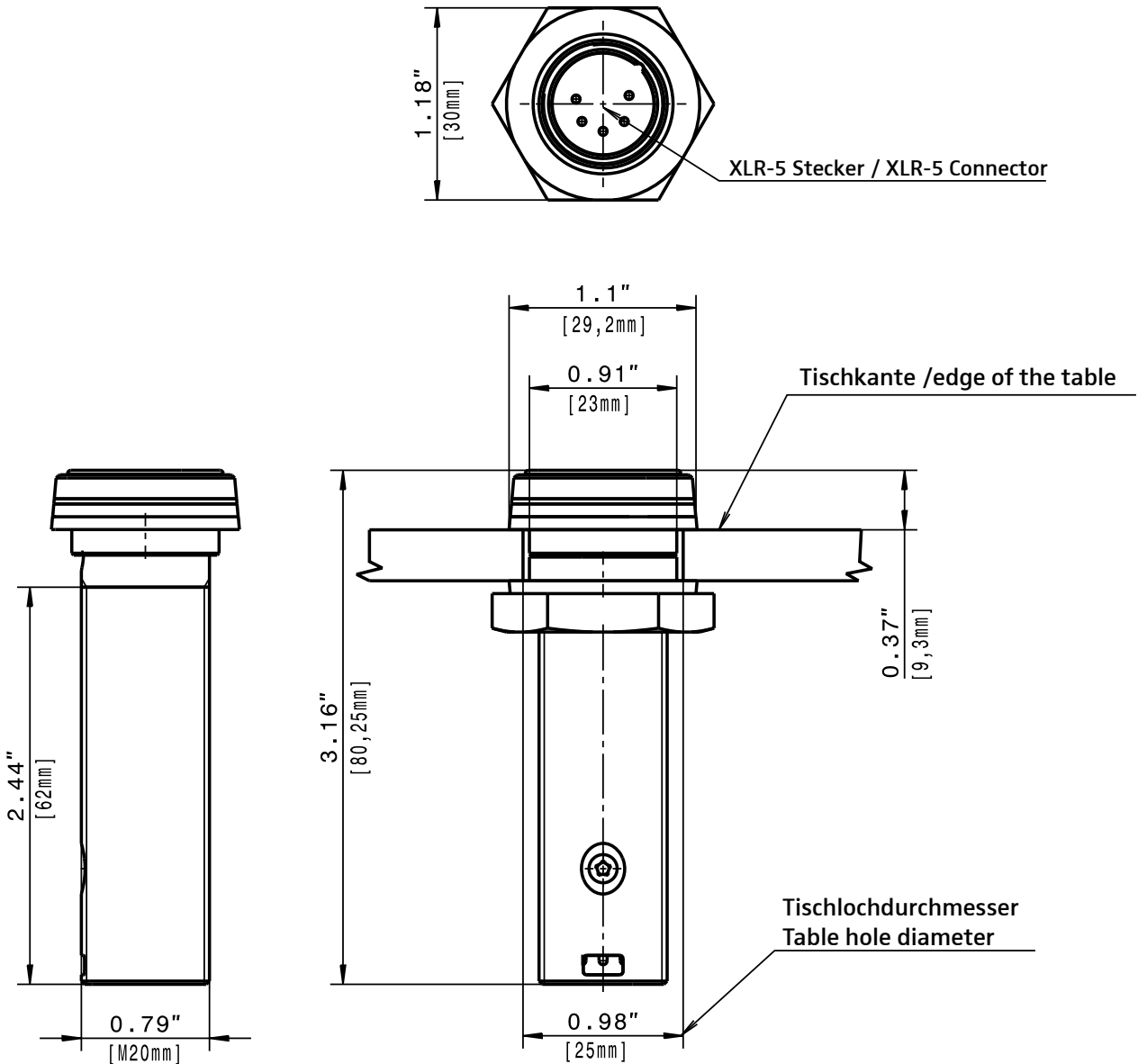
DELIVERY INCLUDES

- 1 MAS 1
- 1 Mounting material
- 1 Quick guide
- 1 Safety guide

SPECIFICATION

Phantom power	12 V (1.5 mA max.)	Diameter	28.5 mm
Connectors	XLR-5M	Thread	M 20
Pin assignment XLR-5M out	1 = gnd 2 = switch 3 = LED red 4 = LED green 5 = LEDs + 12 V out	Operating temperatur	-10 °C to +50 °C (+14 °F to +122 °F)
LED light ring color	red/green		
TTL levels for LED acitivation	12 V		
Current consumption LED ring	3 mA		
Weight	60 g		
Height	81 mm (8 mm above surface)		

DIMENSIONS



RECOMMENDED ACCESSORIES

MAS 133 Inline Switch box Art. No. 505621

PRODUCT VARIANTS

MAS 1 black Microphone button Art. No. 505618
 MAS 1 white Art.No. 505619