

# MZT 30-L installation XLR-5 socket

## FEATURES

- Sturdy installation XLR-5 socket for MZH goosenecks with LED lighting
- For installation in table, lectern or other surfaces
- Non reflective black coating

The MZT 30-L is a sturdy metal XLR-5 socket for installation in tables, lecterns or other surfaces. It reliably holds and locks a MZH gooseneck with LED lighting. It features a non reflective black coating.



## ARCHITECT'S SPECIFICATIONS

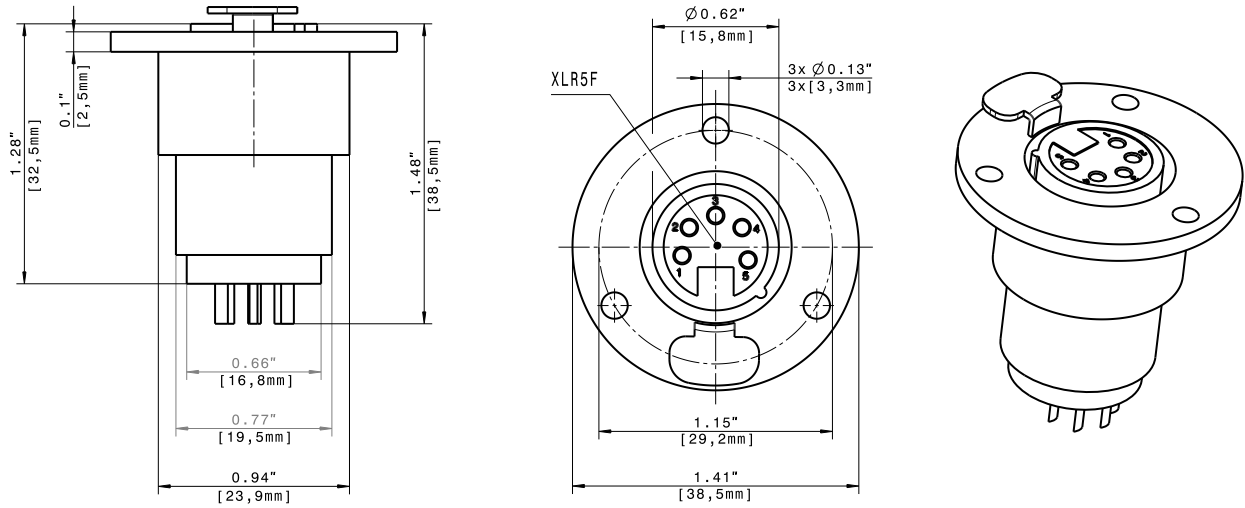
For gooseneck mounting a sturdy installation socket shall provide a female XLR-5 connection on the front end. On the back end five soldering lugs shall be provided. The socket shall be unobtrusive in design. The coating of the socket shall be a non reflective black. The socket shall be Sennheiser MZT 30-L.

## TECHNICAL DATA

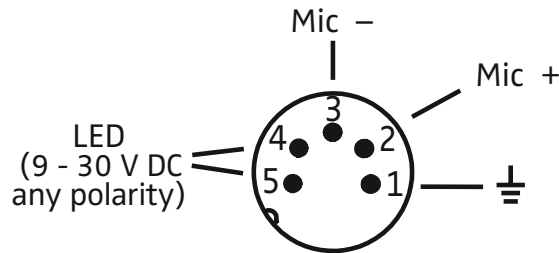
Overall diameter ..... 38,5mm (1,51")  
Overall depth ..... 38,5mm (1,51")  
Depth under flange ..... 36mm (1,42")  
Required cut-out hole ..... 24mm (0,95")  
Color ..... matte black  
Delivery ..... MZT 30-L

# MZT 30-L installation XLR-5 socket

## DIMENSIONS



## CONNECTIVITY



## PRODUCT VARIANTS

MZT 30, XLR-3 installation socket  
 MZT 30-L, XLR-5 installation socket

Cat. No. 005085  
 Cat. No. 009446

## RECOMMENDED ACCESSORIES

MZH 3015-L, 15cm gooseneck, lightring  
 MZH 3040-L, 40cm gooseneck, lightring  
 MZH 3042-L, 40cm gooseneck, lightring  
 MZH 3062-L, 60cm gooseneck, lightring  
 MZH 3072-L, 70cm gooseneck, lightring

Cat. No. 009435  
 Cat. No. 009436  
 Cat. No. 009437  
 Cat. No. 500652  
 Cat. No. 500653

Sennheiser electronic GmbH & Co. KG  
 Am Labor 1, 30900 Wedemark, Germany  
 www.sennheiser.com

