

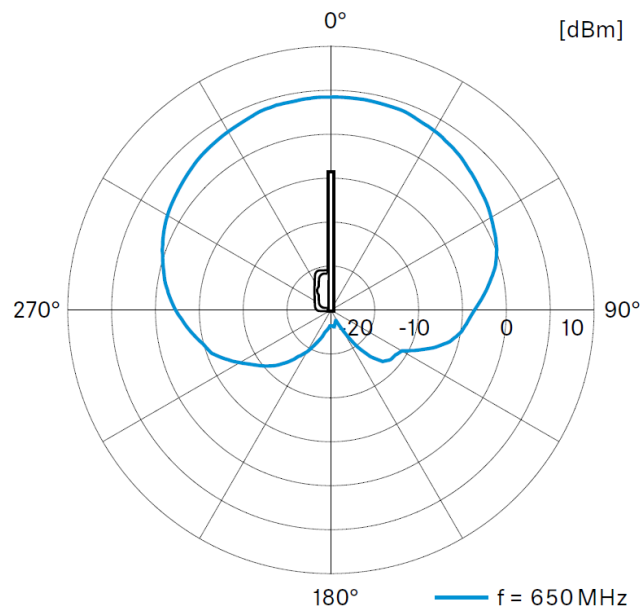


An active, paddle type, directional antenna with integrated AB 3700 broadband antenna booster. This antenna is only compatible with EM 3731, EM 3732, EM 2000, EM 2050, and EM 6000 receivers only.

Technical Specifications

Frequency range	470 – 866 MHz
Apex angle (-3 dB)	approx. 100°
Front-to-back ratio	≥ 14 dB
Gain approx.	3 dB
Amplification (booster)	bypass (-3 dB), 5 dB, 10 dB, 15 dB adjustable, without DC feed: -6 dB
Impedance	50 Ω
OIP3	≥ 32 dBm
RF connection	BNC socket
Power supply	9 – 15 V = / 160 – 100 mA, DC feed via antenna cable, (RF OUT socket on receiver).
Mounting connection	3/8" or 5/8" thread
Dimensions	329 x 322 x 23 mm
Weight:	625g, (including booster).

Pick-up Pattern

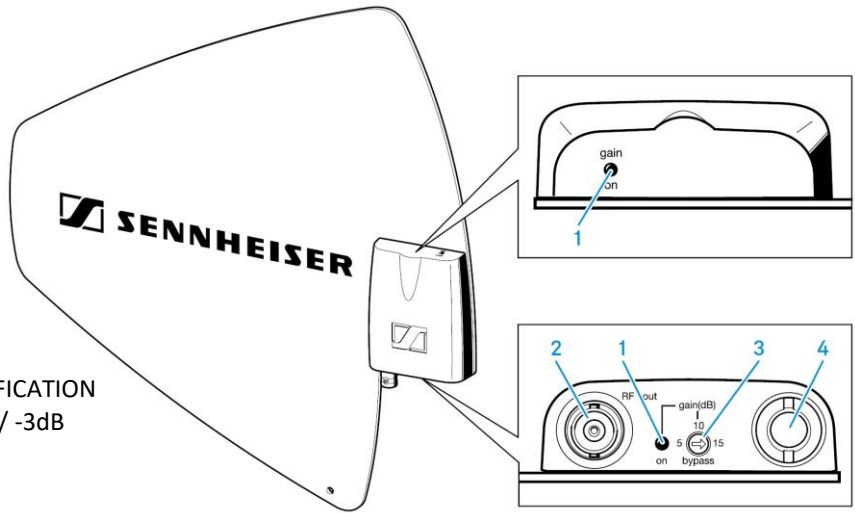


Intended Use

The product is designed for indoor and outdoor use. The product can be used for commercial purposes. It is considered improper use when the product is used for any application other than as an antenna with the receiver equipment mentioned above. Sennheiser does not accept liability for damage arising from improper use or misuse of this product and its attachments/accessories. Before putting the products into operation, please observe the respective country-specific regulations!

Overview

1. LED operation indicator
2. BNC socket, RF output (RF out)
3. Amplification selector
4. Mounting thread (3/8" or 5/8")



LED Indication

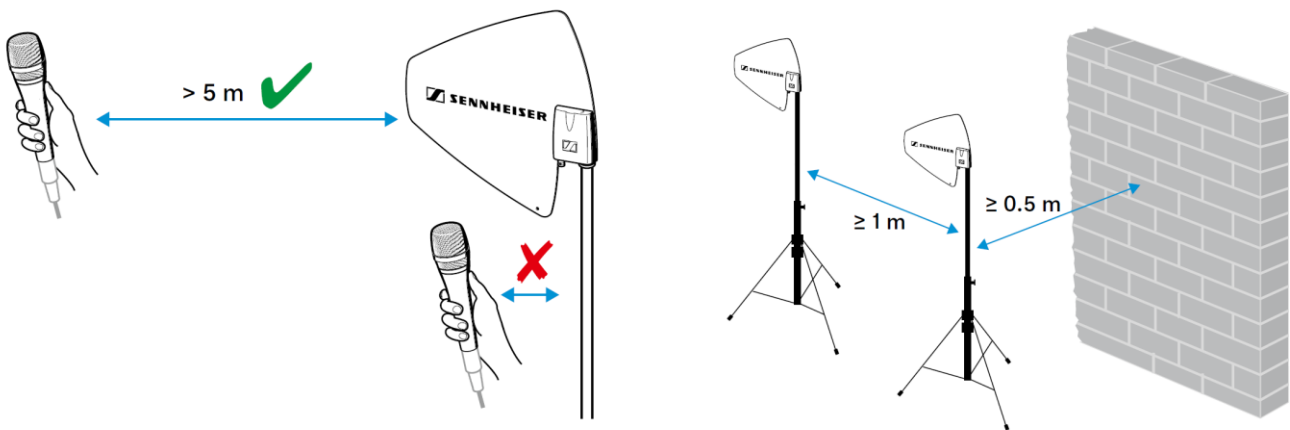
1 LED COLOUR	3 SELECTOR	AMPLIFICATION
Red		Bypass/ -3dB
Green		+ 5dB
Blue		+10dB
White		+15dB

Typical Amplification Settings

Typical 3 Selector settings dependent on cable and approximate cable length.

	5dB	10dB	15dB
RG58	0 – 12m	10 – 25m	20 – 35m
RG213	0 – 25m	20 – 45m	40 – 65m
Low Loss 1/2"	0 – 45m	38 – 80m	70 – 110m

Setup



Minimum distance from transmitter to antenna, 5m. Antenna to antenna min distance, 1m. To wall, 0.5m

Accessories

NSR-XXXXX	SENNHEISER GZL 1019-A1 BNC/BNC cable, 1 m
NSR-28151	SENNHEISER GZL 1019-A5 BNC/BNC cable, 5 m
NSR-XXXXX	SENNHEISER GZL 1019-A10 BNC/BNC cable, 10 m
54-728	SENNHEISER GZG 1029 Swivel joint
54-729	SENNHEISER GZP 10 Mounting plate for GZG 1029
38-9286	CANFORD CABLE BNC-BNC-RG213/U-5m, Black
38-9287	CANFORD CABLE BNC-BNC-RG213/U-10m, Black
38-9288	CANFORD CABLE BNC-BNC-RG213/U-15m, Black
38-9289	CANFORD CABLE BNC-BNC-RG213/U-20m, Black
38-9290	CANFORD CABLE BNC-BNC-RG213/U-25m, Black

Safety instructions for antenna mounting

Use safety wires to protect the antennas against tipping/dropping.

The safety wires, rope terminations and coupling links must comply in their dimensioning and condition with the regulations and standards of the country in which they are used!

Important

1. Read these instructions carefully before use.
2. Keep a copy these instructions for future reference
3. Always include these instructions when passing the product on to third parties.
4. Only use attachments, accessories and spare parts specified by the manufacturer.
5. Do not attempt to open the product housing on your own. The warranty is voided for products opened by the customer.
6. Refer all servicing to qualified service personnel. Servicing is required when the product has been damaged in any way, liquid has been spilled or objects have fallen into the product, when the product has been exposed to rain or moisture, does not operate normally, or has been dropped.
7. Use the product only under the conditions of use listed in the specifications.
8. Do not operate the product if it was damaged during transportation.
9. Always run cables so that no one can trip over them.
10. Keep the product and its connections away from liquids and electrically conductive objects that are not necessary for operating the product.
11. Do not use any solvents or aggressive cleaning agents to clean the product.
12. **Caution:** Very high signal levels can damage your hearing and your loudspeakers. Reduce the volume on the connected audio devices before switching on the product, this will also help prevent acoustic feedback.

Manufacturer declarations

Warranty

Sennheiser electronic GmbH & Co. KG gives a warranty of 24 months on these products.

For the current warranty conditions, please visit our website at www.sennheiser.com or contact your Sennheiser partner.

Compliances

In compliance with the following requirements

UK



EU



China



UK: WEEE Regulations (2013)
EU: WEEE Directive (2012/19/EU)

