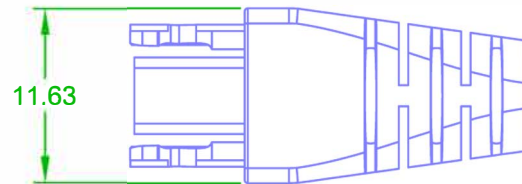
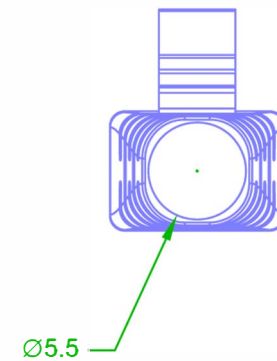
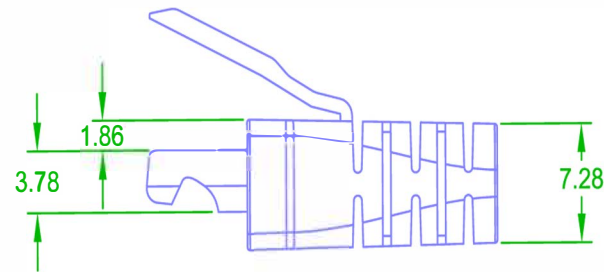
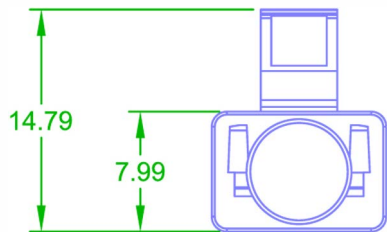
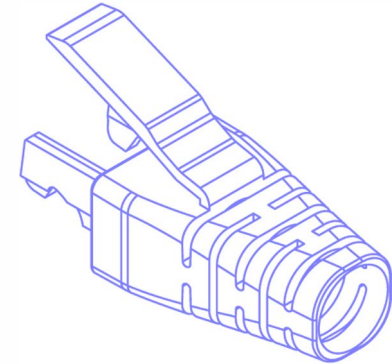
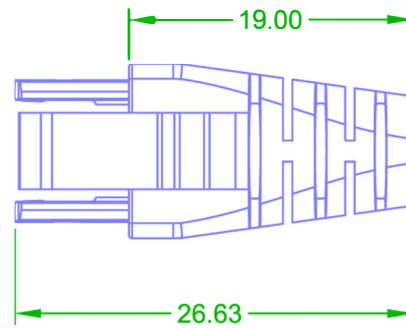


ROHS Compliant

Code: PSDPY5



20/04/2021

NOTE TOL:  $\pm 0.1$