

FLEXCLIP GO™

MOUNTING CLIPS FOR WIRELESS GO

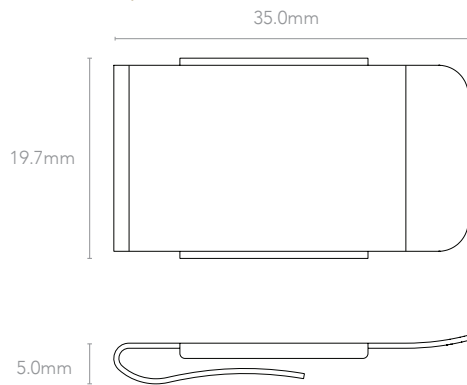


The FlexClip GO is a set of three clips for the Wireless GO and Wireless GO II that allow for maximum versatility when mounting a transmitter onto talent and other objects. It includes the MagClip GO, CrossClip and VampireClip.

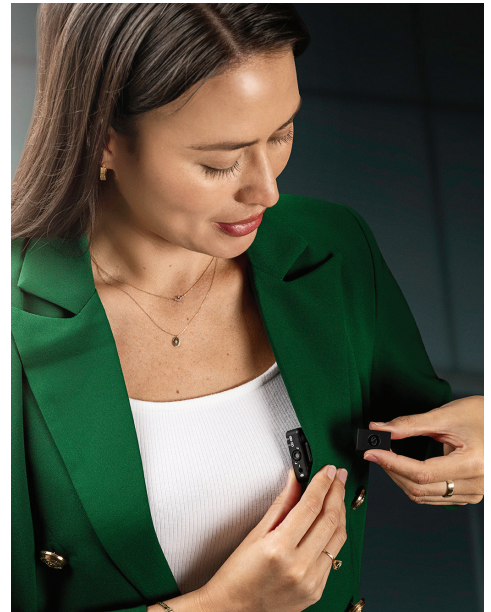
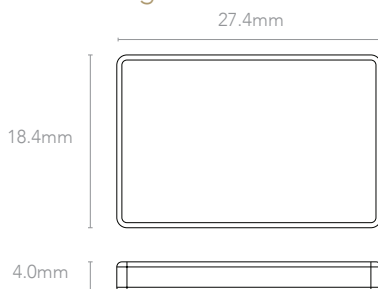
Includes:

- MagClip GO for easy mounting of the transmitter onto clothing or magnetic surfaces
- CrossClip allows the transmitter to be discreetly mounted vertically in either orientation
- VampireClip can be used to attach the transmitter to clothing or fabric using the integrated double-tooth pin

MAGCLIP GO Clip



MAGCLIP GO Magnet



MECHANICAL SPECIFICATIONS

MAGCLIP GO

Weight (grams): 14

Dimensions (millimetres):
Clip
Width: 35.0
Height: 19.7
Depth: 5.0
Magnet
Width: 27.4
Height: 18.4
Depth: 4.0

CROSSCLIP

Weight (grams): 4

Dimensions (millimetres):
Width: 35.0
Height: 41.0
Depth: 7.64

VAMPIRECLIP

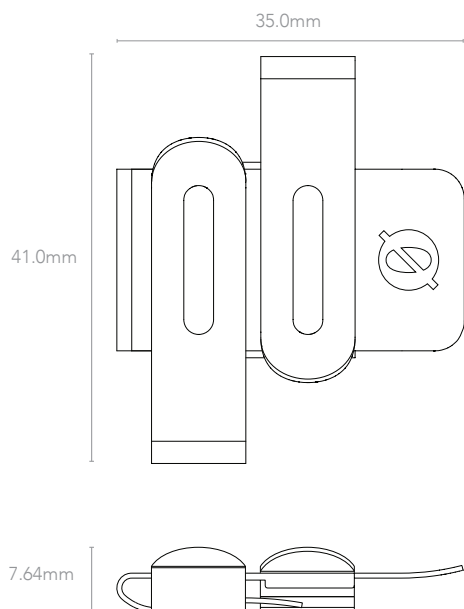
Weight (grams): 6

Dimensions (millimetres):
Width: 35.01
Height: 19.7
Depth: 9.19

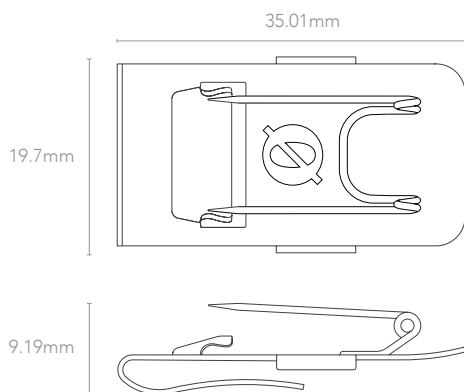
FLEXCLIP GO™

MOUNTING CLIPS FOR WIRELESS GO

CROSSCLIP



VAMPIRECLIP



MECHANICAL SPECIFICATIONS

MAGCLIP GO

Weight (grams): 14

Dimensions (millimetres):
Clip
Width: 35.0
Height: 19.7
Depth: 5.0
Magnet
Width: 27.4
Height: 18.4
Depth: 4.0

CROSSCLIP

Weight (grams): 4

Dimensions (millimetres):
Width: 35.0
Height: 41.0
Depth: 7.64

VAMPIRECLIP

Weight (grams): 6

Dimensions (millimetres):
Width: 35.01
Height: 19.7
Depth: 9.19