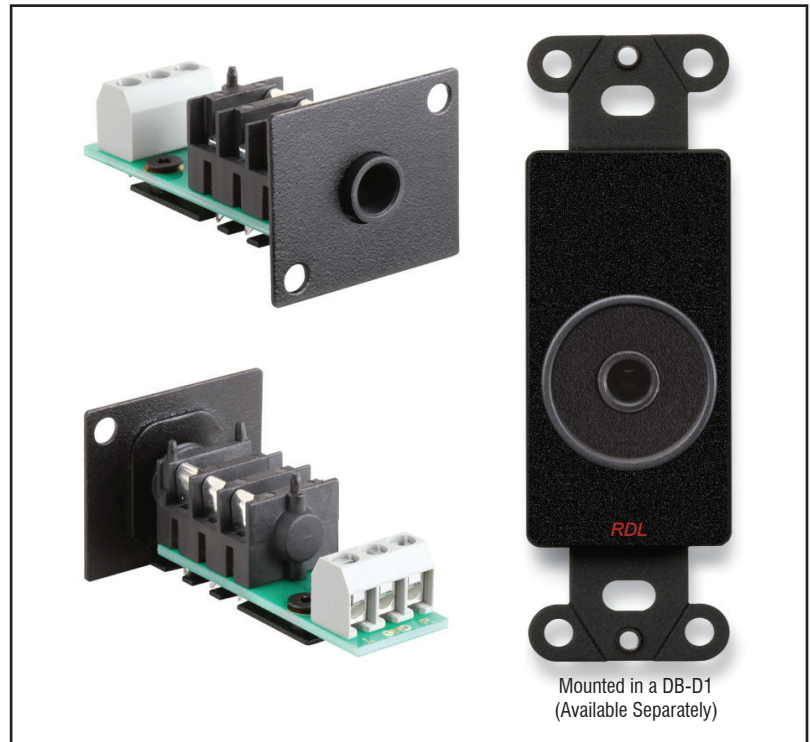


ACCESSORIES

Model AMS-1/4F

1/4" Stereo Headphone Jack Terminal block connections

- Mounts in D-Style Standard Cutouts
- Mounts in all AMS Mounting Frames
- Mounts in RDL Decora-Style Wall Plates
- Availability of a Wide Variety of Associated AMS Accessories
- Bezel Provides Professional Aesthetic Appearance
- Provides Flexibility for Connections and Controls



The AMS SYSTEM is a versatile product group from Radio Design Labs. The unique design allows the associated AMS accessories to mount into any standard RDL RACK-UP® or HALF-RACK mounting opening as well as other RDL mounting accessories and enclosures. These optionally available RDL rack mount, wall mount and countertop enclosures make the AMS SYSTEM accessories useful in a wide variety of installations.

APPLICATION: The AMS-1/4F is an accessory that mounts in AMS mounting frames and in standard D-style cutouts. It features a high quality 1/4" TRS jack that may be used as a line output, line input or headphone jack. A high quality terminal block is provided for external connections. The front plate and bracket are constructed of black satin powder coated steel. A black plastic bezel is provided to finish the D-style cutout hole when the accessory is mounted. These accessories are designed to mount behind the front panel of industry products that provide D-style cutouts.

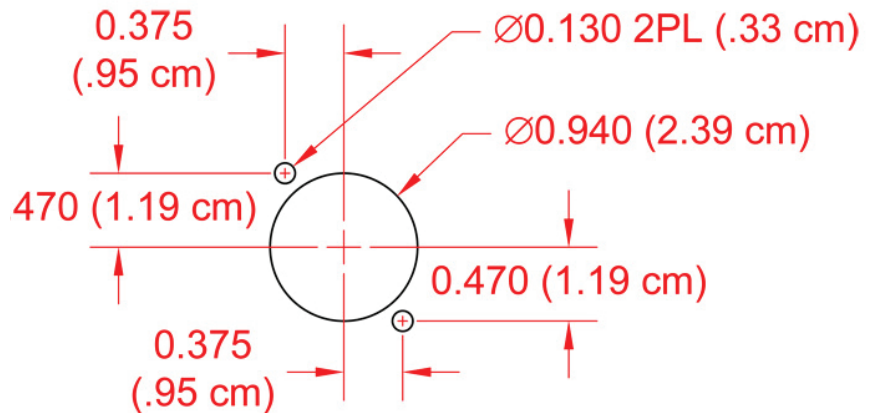
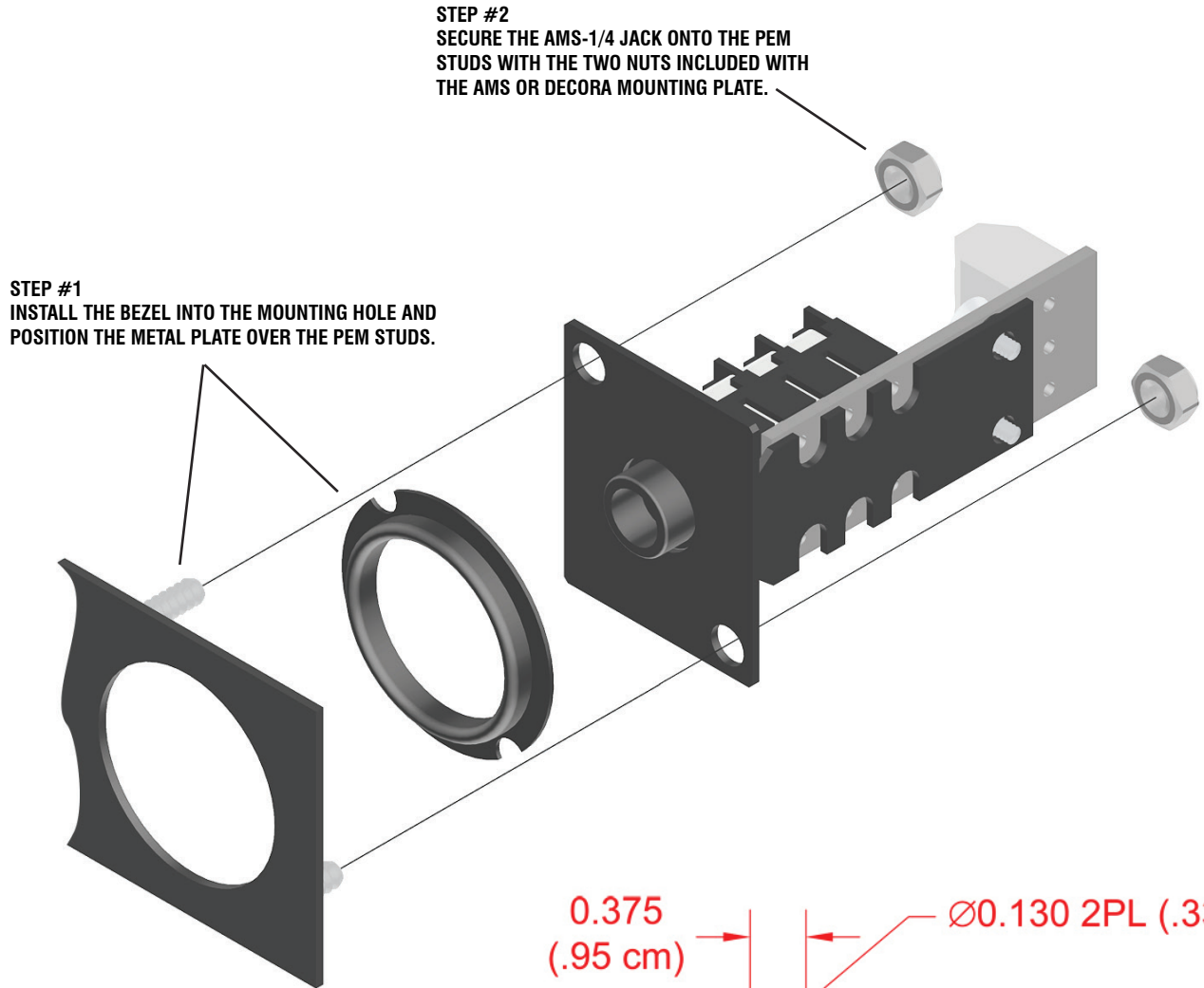
ACCESSORIES

Model AMS-1/4F

1/4" Stereo Headphone Jack

Terminal block connections

Installation/Operation



Front View
Standard D-Style Cutout Dimensions

TYPICAL PERFORMANCE

Mounting: AMS mounts; D-Style cutouts
 Depth (behind the panel): 2.06 in
 Ambient Operating Environment: -10 to 70 degrees C