

ACCESSORIES
Model AMS-10K
10K Linear Taper
Pot & Knob Assembly
Terminal block connections

- Mounts in D-Style Standard Cutouts
- Mounts in all AMS Mounting Frames
- Mounts in RDL Decora-Style Wall Plates
- Availability of a Wide Variety of Associated AMS Accessories
- Bezel Provides Professional Aesthetic Appearance
- Provides Flexibility for Connections and Controls



The AMS SYSTEM is a versatile product group from Radio Design Labs. The unique design allows the associated AMS accessories to mount into any standard RDL RACK-UP® or HALF-RACK mounting opening as well as other RDL mounting accessories and enclosures. These optionally available RDL rack mount, wall mount and countertop enclosures make the AMS SYSTEM accessories useful in a wide variety of installations.

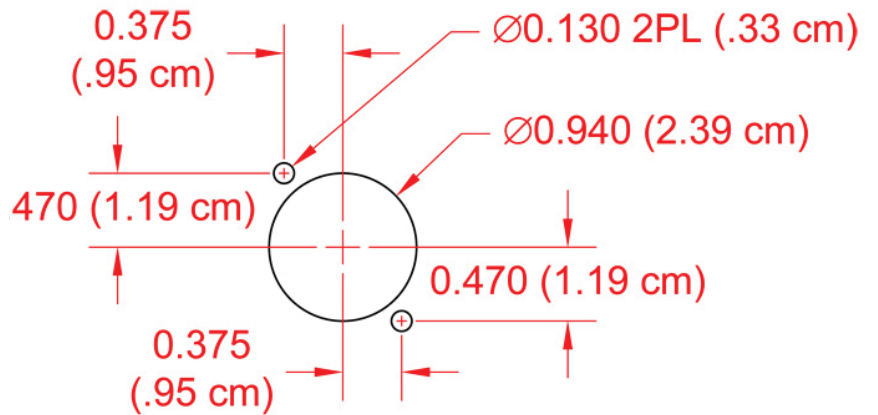
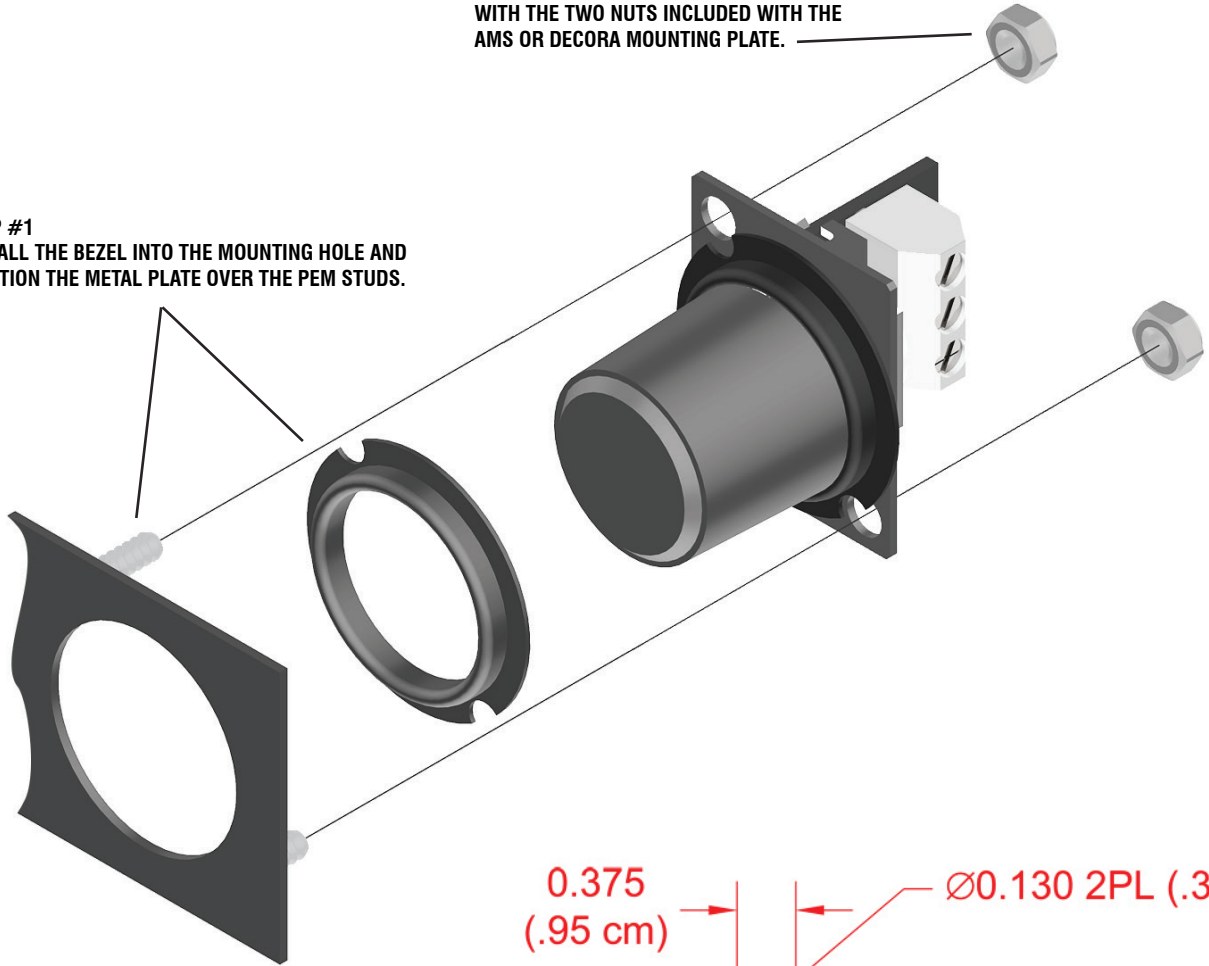
APPLICATION: The AMS-10K is a user control intended to provide a linear dc control voltage to products equipped with a VCA to control the audio level. It is designed to directly interface with the 0 to 10V 3-wire control input of the VCA. A single shielded pair is normally used. The AMS-10K contains a long-life 10 kΩ potentiometer for adjusting the control voltage. A high quality terminal block is provided for external connections. The AMS-10K mounts in AMS mounting frames and in standard D-style cutouts. The front plate and bracket are constructed of black satin powder coated steel. A black plastic bezel is provided to finish the D-style cutout hole when the accessory is mounted. These accessories are designed to mount behind the front panel of industry products that provide D-style cutouts.

ACCESSORIES
Model AMS-10K
10K Linear Taper
Pot & Knob Assembly
Terminal block connections

Installation/Operation

STEP #1
INSTALL THE BEZEL INTO THE MOUNTING HOLE AND POSITION THE METAL PLATE OVER THE PEM STUDS.

STEP #2
SECURE THE AMS-10K ONTO THE PEM STUDS WITH THE TWO NUTS INCLUDED WITH THE AMS OR DECORA MOUNTING PLATE.



Front View
Standard D-Style Cutout Dimensions

TYPICAL PERFORMANCE

Mounting:	AMS mounts; D-Style cutouts
Depth (behind the panel):	1.00 in
Ambient Operating Environment:	0 to 70 degrees C