



ASSEMBLY INSTRUCTION

etherCON® TOP | SE8FD-TOP, Outdoor assembly kit

IP65 RATED AND UL50E APPROVED.

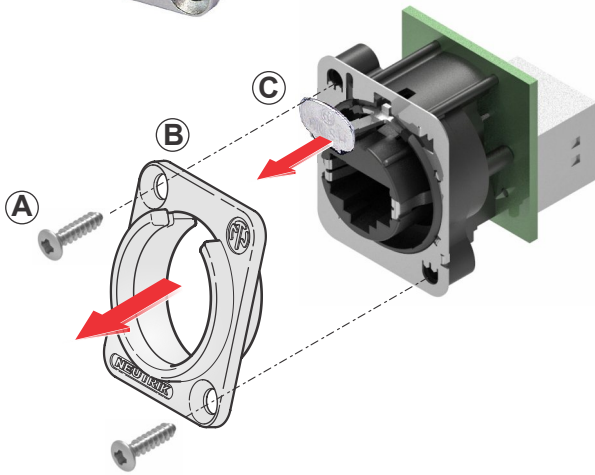
Panel thickness:
2.0 - 4.0 mm [0.079 - 0.157"]



Example (NE8FDP) of preassembled Delivery.

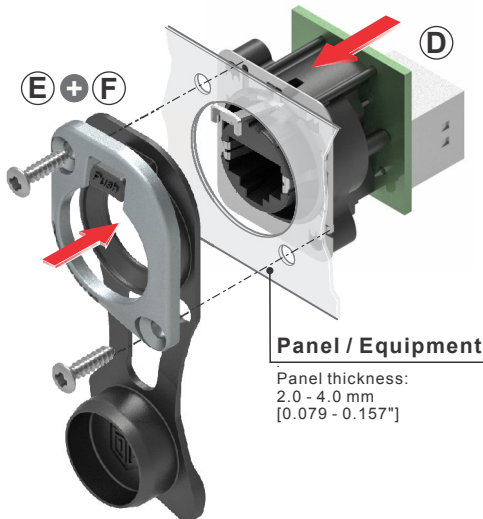
Step 1: Separate the connector

- (A) Untighten the screw.
- (B) Remove the flange.
- (C) Remove the "PUSH" Lever from the receptacle.



Step 2: Assembly

- (D) Position the receptacle onto the panel from rear side.
- (E + F) Assemble flange and rubber gasket together.
- (G) Insert a housing for CENTERING the kit.
- (H) Position the screw and fasten it.



Panel / Equipment

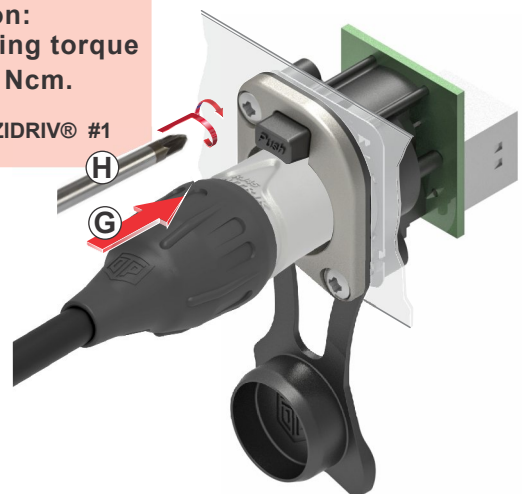
Panel thickness:
2.0 - 4.0 mm
[0.079 - 0.157"]



Attention:
Tightening torque
 $M_A = 40 \text{ Ncm}$.



POZIDRIV® #1



NOTE: Lubricate sealing lip with silicon from time to time.

NEUTRIK AG	LI	T: +423/237 24 24	F: +423/232 53 93	NEUTRIK France	FR	T: +33 1/4131 6750	F: +33 1/4131 0511
NEUTRIK USA Inc.	USA	T: +1 704 / 972 3050	F: +1 704/438 9202	NEUTRIK Tokyo Ltd.	JP	T: +81 3/3663 4733	F: +81 3/3663 4796
NEUTRIK (UK) Ltd.	UK	T: +44 1983 / 811 441	F: +44 1983/811 439	NEUTRIK Hong Kong Ltd.	HK	T: +852/2687 6055	F: +852/2687 6052
NEUTRIK Vertriebs GmbH	DE/NL/AT/DK	T: +49 8131 / 280 890	F: +49 8131/280 830	NEUTRIK India Pvt. Ltd.	IND	T: +91/982 05 43 424	F: +91/22 26163 540

Draft. Nr.: BDA 552 | Update: 25.07.2018 | Data subject to change without prior notice. ©2018 NEUTRIK®. ALL RIGHTS RESERVED. NEUTRIK® is a registered trademark.