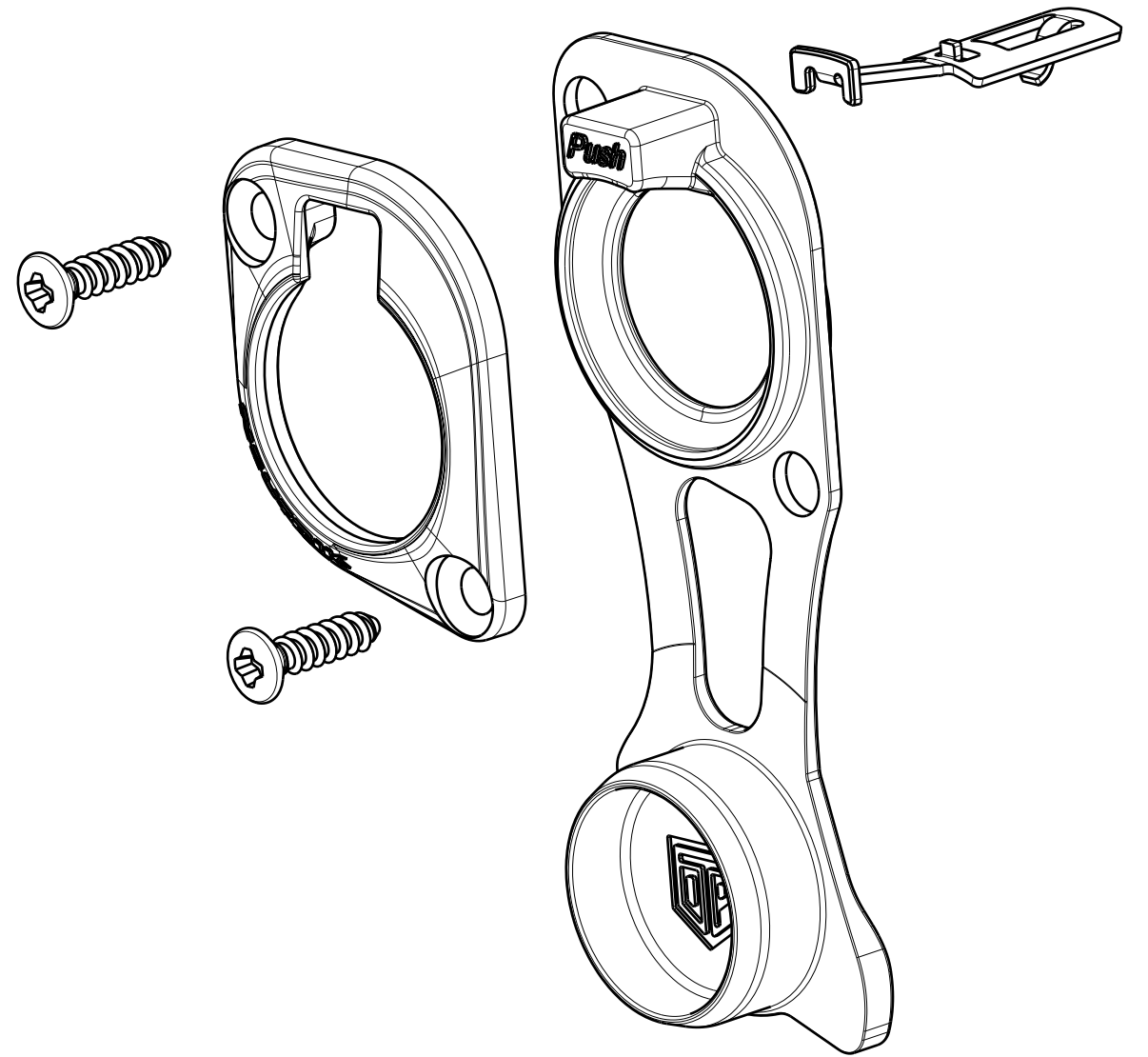
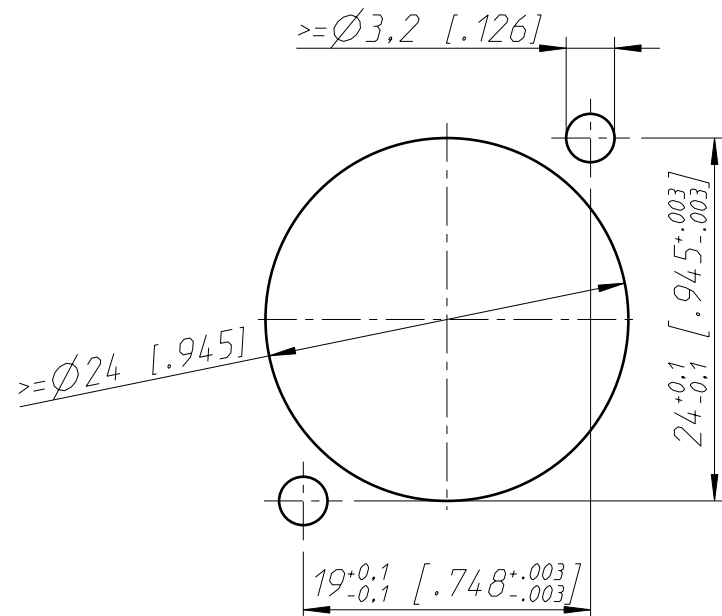


Frontplattenstärke 2-4mm
panel-thickness 2-4mm [0.079-0.157]



Frontplattenausschnitt (Rueckseite)
panel cut out (rear side)



General tolerances ISO 2768-m	Scale	Date	Name
Refer to protection notice ISO 16016.	2:1 (A3)	11.10.17	Ender
Name		Modified	-
SE8FD-TOP		Change-No.	Sheet-No.
		-	1 / 1
		Index	-
Replacement for:		Drawing-No.	
NEUTRIK		ST-SE8FD-TOP	