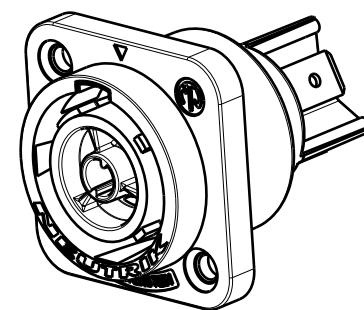
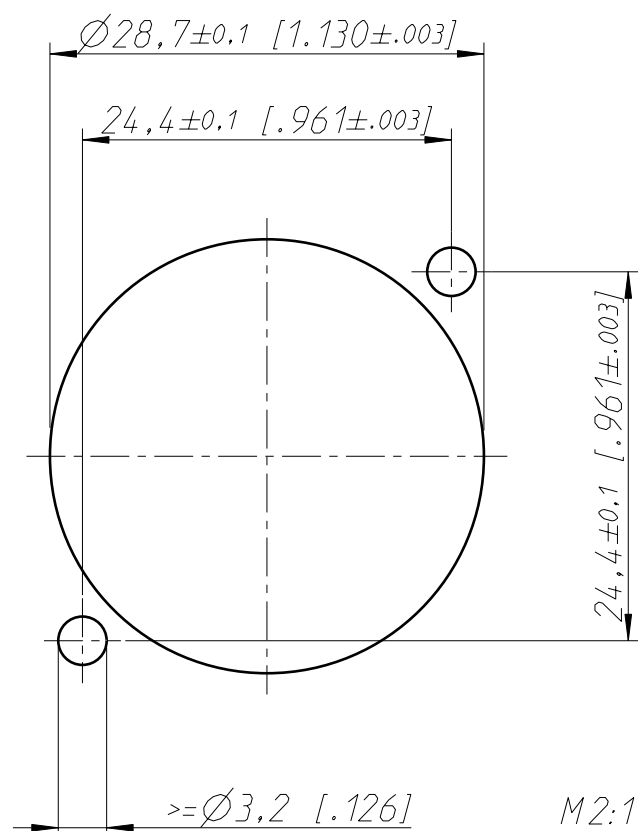


Frontplattenausschnitt Rückseite  
panel cutout rearside



M1:1

General tolerances ISO 2768-m	Scale	Date	Name
Refer to protection notice ISO 16016.	2:1 (A3)	03.05.18	Ender
Name	powerCON TRUE1 TOP NAC3FPX-TOP	Drawn	Modified
		-	-
		Change-No.	Sheet-No.
		-	1 / 1
		Index	-
Replacement for:		Drawing-No.	
NEUTRIK		ST-NAC3FPX-TOP	