



1/4" mono jack, un-switched, with chrome ferrule and standard solder lugs, mounting nut included

### Features & Benefits

Wide body and extremely durable contacts  
Mates with all mono A-gauge plugs acc. EIA RS-453 standard

### Product

Title	NMJ2HC-S
Connection Type	Jack
Gender	female

### Electrical

Contact resistance	< 15 mΩ (inner)
Dielectric strength	1 kVdc
Insulation resistance	≥ 1 GΩ @ 500 V dc
Rated current per contact	3 A

### Mechanical

Insertion force	< 20 N
Withdrawal force	7 N
Lifetime	> 10000 mating cycles
Panel thickness	< 4.7 mm
Wiring	Solder lugs
Locking device	Retention spring
Mounting direction	rear
Chassis shape	11.4 mm

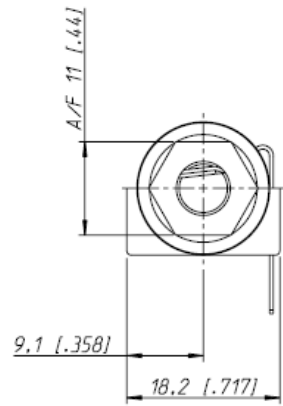
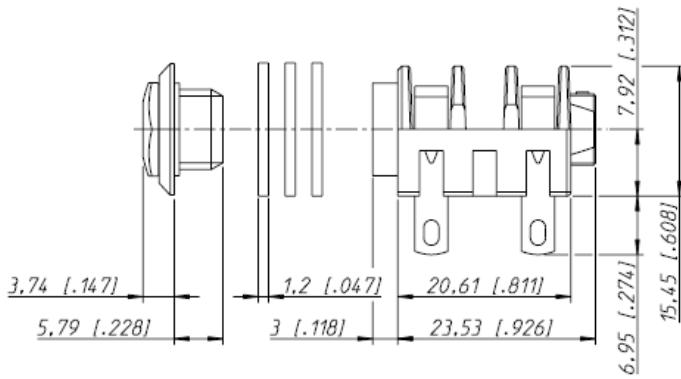
### Material

Cap / Nut / Washer	PA 6.6 15% GR
Contact plating	2 μm Ni
Contacts	Bronze (CuSn6)
Shell	Polyamide (PA 6.6 15 % GR)

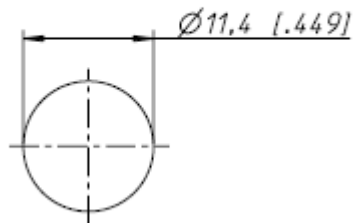
### Environmental

Standard compliance	EIA RS 453, IEC 60603-11
Solderability	Complies with IEC 68-2-20
Temperature range	-25 °C to +70 °C

43-201 NEUTRIK NMJ2HC-S JACK SOCKET



Frontplattenausschnitt (Rückseite)  
Panel cut out (rear side)



Mono unswitched

