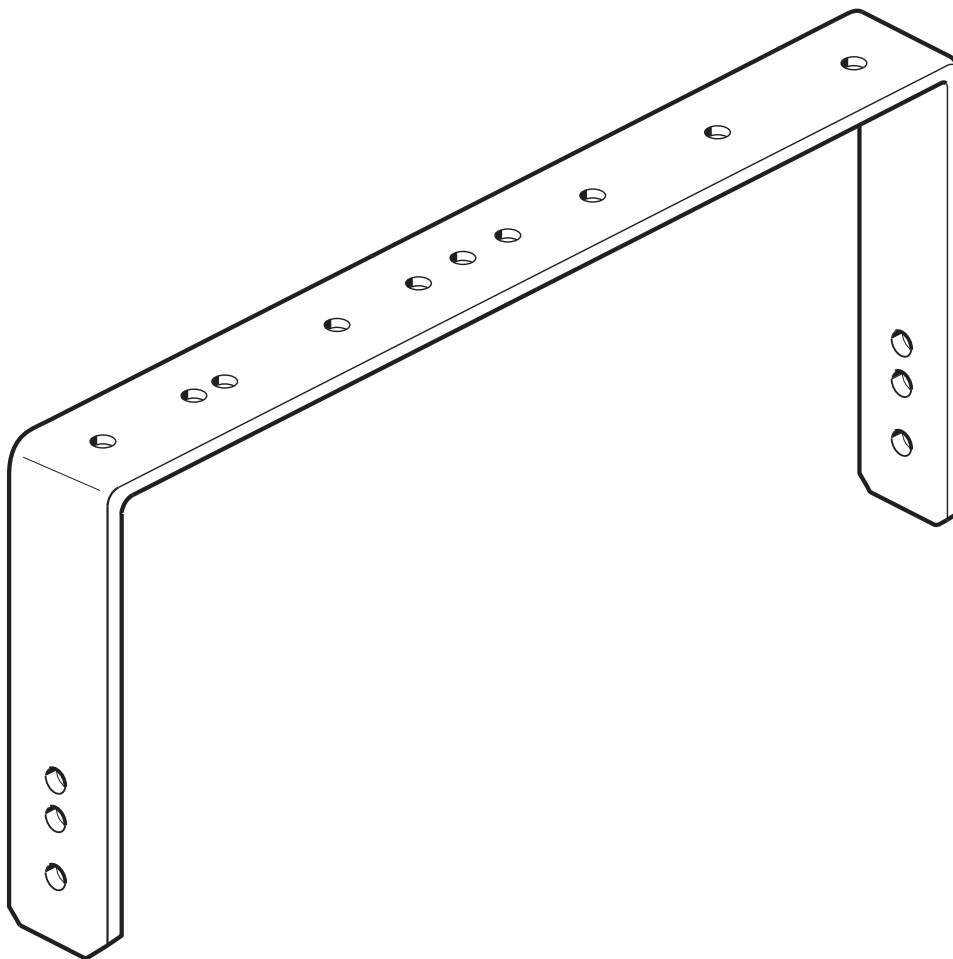




▶ **LH 25** Mounting Bracket | Haltebügel
Crochet de montage | Soporte de montaje

MOUNTING MANUAL





Important safety and mounting instructions

EN

- Have the product mounted by a specialist.
- Due to his/her technical training, know-how and experience as well as knowledge of relevant provisions, regulations and standards, the specialist must be able to assess assigned tasks, recognize potential hazards and ensure appropriate safety measures. The following safety and mounting instructions are addressed to this specialist.
- Read and follow the safety and mounting instructions, keep these instructions and always include them when passing the LH 25 on to third parties.
- Also read and follow the installation instructions contained in the operating manual of the mounted loudspeaker.
- When mounting, observe and follow the local, national and international regulations and standards.
- Do not install the LH 25 in locations where it is exposed to externally generated vibrations.
- Always use the original Neumann mounting hardware.
- Only fasten the LH 25 to loudspeakers and other accessories as defined in the "Hardware Mounting Matrix". The maximum permissible load is 20 kg (44 lbs).



Download the PDF file "Hardware Mounting Matrix" from www.neumann.com. Only combine the Neumann mounting hardware as specified in the "Hardware Mounting Matrix".



CAUTION

Danger of injury and material damage due to dropping of the loudspeaker/mounting hardware!

The loudspeaker together with the mounting hardware can drop down until mounting is complete.

- ▶ Have the loudspeaker held by a second specialist who is physically able to do so. The requirements mentioned earlier also apply to this specialist.
- ▶ When mounting the loudspeaker, provide a sufficient additional protection against dropping.



CAUTION

Danger of injury and material damage due to dropping of the loudspeaker/mounting hardware!

If you use other M8 bolts than the supplied ones (B or C) to fasten the LH 25 to the loudspeaker, the loudspeaker together with the mounting hardware can drop down.

- ▶ Always use the two supplied M8 bolts B or C to fasten the LH 25 to the loudspeaker.

- Remove the pre-mounted screws at the sides of the loudspeaker.
- Fasten the LH 25 to the loudspeaker ...
 - from above if you want to mount the loudspeaker hanging (see fig. 1).
 - from below if you want to mount the loudspeaker to a loudspeaker stand or on top of a subwoofer (see fig. 2).
- If necessary, attach other Neumann mounting hardware to the LH 25 (see the "Hardware Mounting Matrix"). Also read and follow the safety and mounting instructions contained in the operating manual of the selected mounting hardware.
- If different mounting positions are possible, choose mounting points that minimize leverage when the loudspeaker is tilted. As a rule, this means that the LH 25 is centrally mounted to the other Neumann mounting hardware.

- Only tilt the loudspeaker when it is properly fastened to the LH 25 and to additional Neumann mounting hardware and when it is secured (see below). The maximum inclination angle depends on the chosen mounting point and on the direction of inclination (see fig. 3).
- Tighten the M8 bolts B or C that hold the LH 25 onto the loudspeaker until the loudspeaker holds its vertical angling position.
- If you mount the LH 25 hanging off a horizontal surface or a lighting truss:
 - The horizontal surface or lighting truss must be able to carry the weight of all parts used plus the weight of the loudspeaker. If necessary, you additionally have to consider leverages. Also read and follow the safety and mounting instructions contained in the operating manual of the lighting truss.
- Use safety wires to additionally protect the loudspeaker and the mounting hardware against tipping/dropping – both when mounted to a loudspeaker stand and when hanging. The safety wires, rope terminations and coupling links must comply in their dimensioning and condition with the regulations and standards of the country in which they are used and must reliably prevent tipping/dropping of the attached loudspeaker and mounting hardware.
- Make sure that ...
 - you use both M8 bolts B or C to fasten the LH 25 to the loudspeaker;
 - the LH 25, the associated mounting hardware, the loudspeaker, the lighting truss and/or the loudspeaker stand cannot tip over or drop down, even if the power or audio cables are pulled;
 - you replace the safety wires and coupling links by new ones when they have prevented tipping/dropping;
 - you check every 3 months if all screws are properly tightened and if the LH 25 and associated mounting hardware, additional fastening elements, safety wires and coupling links, as well as the loudspeaker are in proper condition.

In case of any damage or any deviation from the safety and mounting instructions, immediately dismount the loudspeaker, the LH 25 and the additional mounting hardware used.

Delivery includes

- A: 1 x LH 25 mounting bracket
- B: 2 x M8 x 25 bolts with hand tightening knob
- C: 2 x M8 x 25 bolts with Allen key head
- D: 2 x rubber washers
- E: 2 x metal washers

Specifications

Weight	1.1 kg (2.4 lbs)
Dimensions	205 x 400 x 40 mm (H x W x D) 7 1/8" x 15 7/8" x 1 5/8" (H x W x D)
Max. load	20 kg (44 lbs)

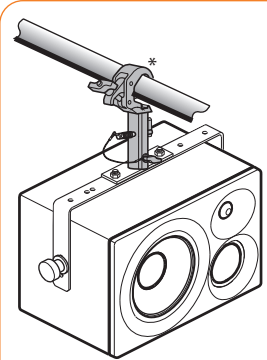
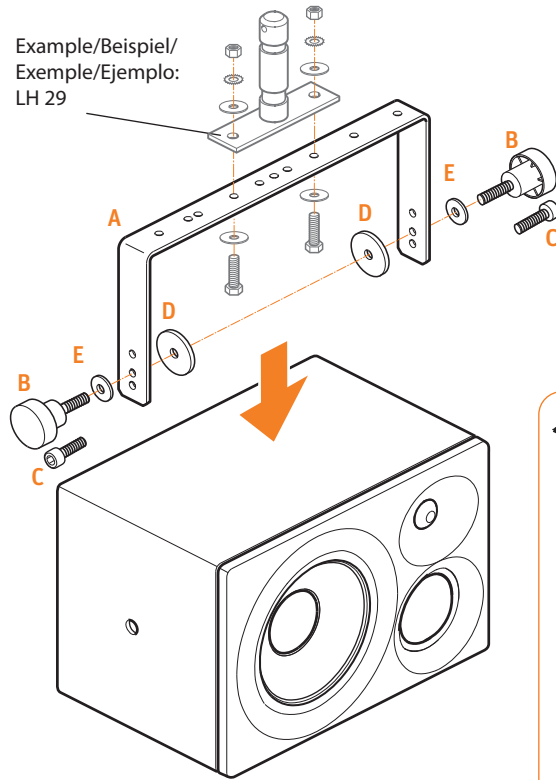
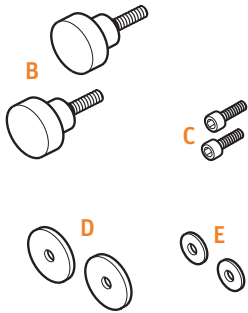
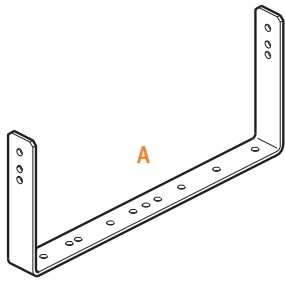
Guarantee

For the current terms and conditions of the product guarantee please visit www.neumann.com.

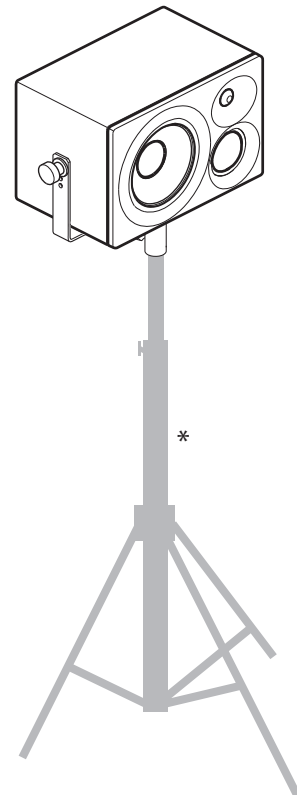
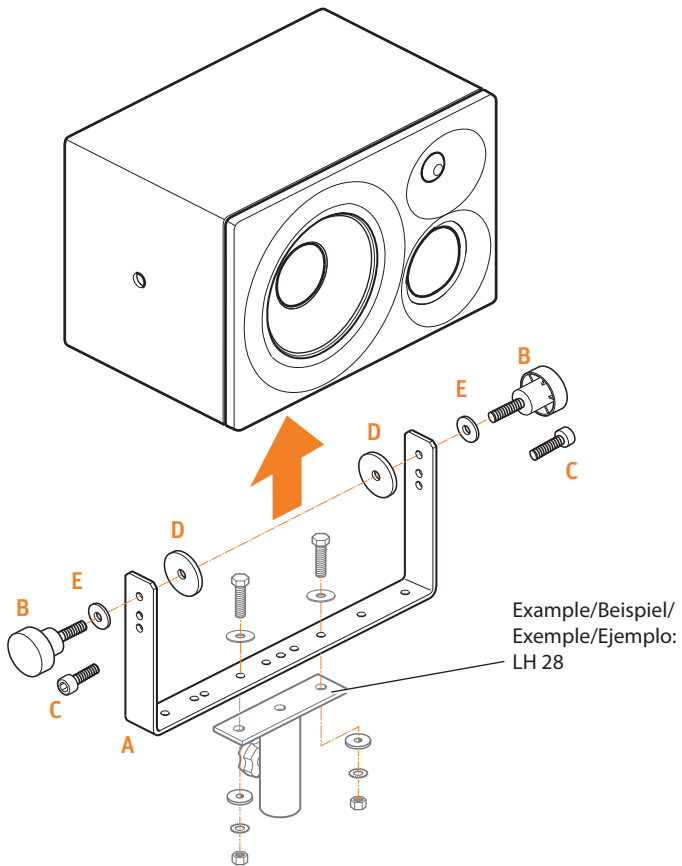


1

Example/Beispiel/
Exemple/Ejemplo:
LH 29



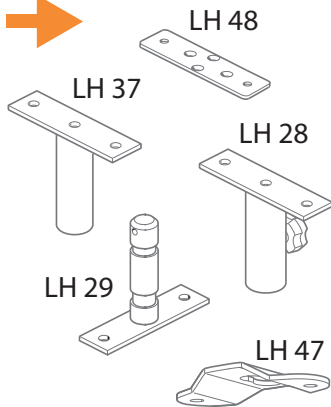
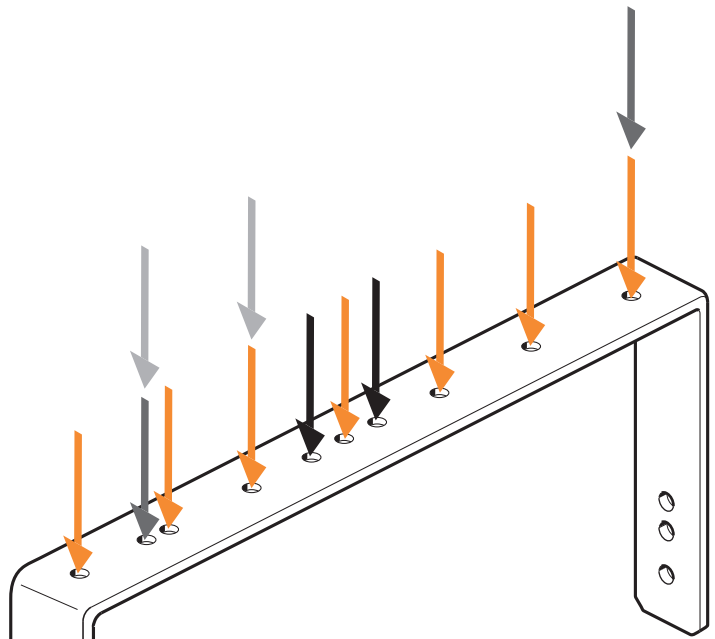
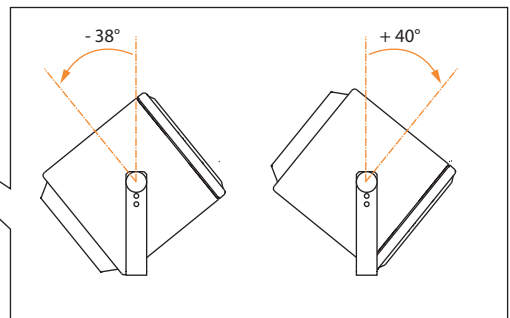
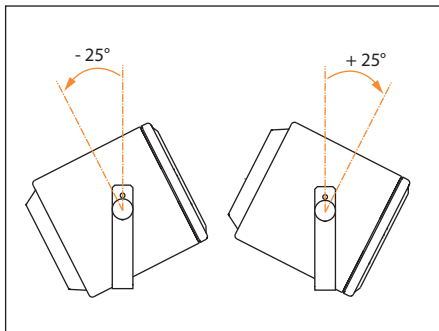
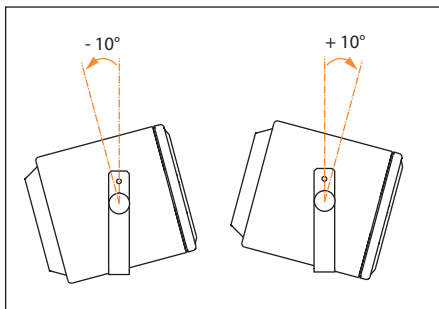
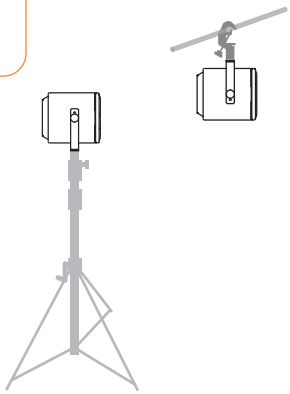
2



* Sourced from 3rd parties



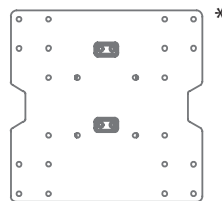
3



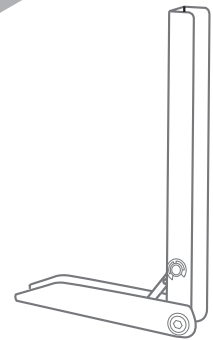
e. g.
K&M 26790
K&M 26795



VESA 300*



LH 61



* Sourced from 3rd parties

