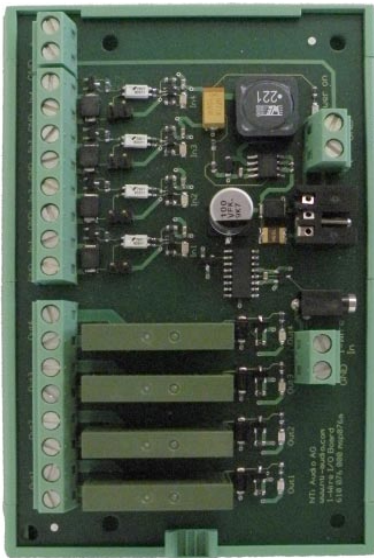


Digital I/O Adapter PCB

for XL2 Audio and Acoustic Analyzer



Top View
Digital I/O Adapter



Side View
Digital I/O Adapter

The XL2 Audio and Acoustic Analyzer together with the Digital I/O Adapter control external peripherals, such as displaying exceeding sound levels on a big red-orange-green lamp. Measurements can be started by an external switch. The Digital I/O Adapter connects to the digital I/O interface of the XL2 Analyzer.

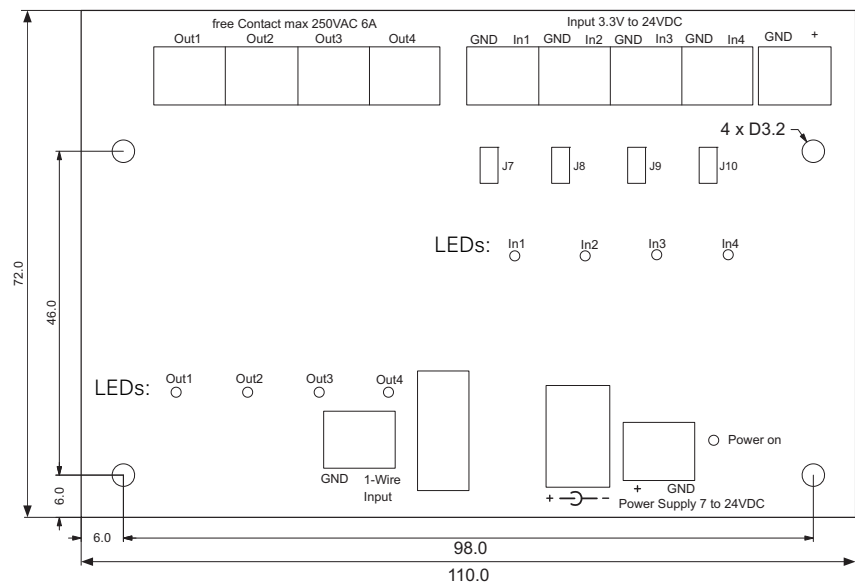
Key Features

- Offers 4 outputs for control of external peripherals
- Switches up to 250 V_{AC} at 6 A
- Offers an input to start FFT or 1/12 Octave measurement
- Controlled by XL2 Audio and Acoustic Analyzer

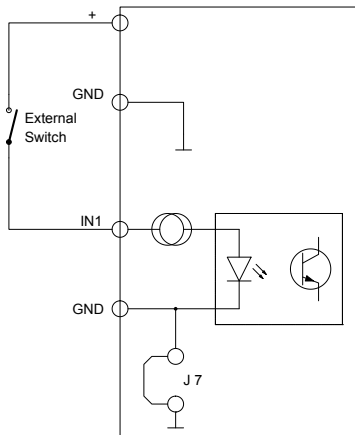
Applications

- Sound level monitoring at live events
- Control of external peripherals based on sound levels

Mechanic Dimensions PCB

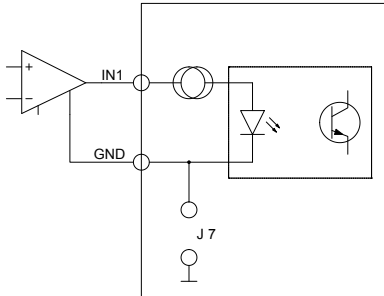


Specifications



Digital I/O Adapter

Connecting a switch to input 1 of the Digital I/O Adapter PCB



Digital I/O Adapter

Connecting an active signal to input 1 of the Digital I/O Adapter PCB

Outputs	<ul style="list-style-type: none"> • 4 individual outputs • Connector type: mounting terminals • Terminals mutually isolated • Relay outputs switching @ <ul style="list-style-type: none"> • resistive load up to 250 V_{AC} / 6 Ampere floating • inductive load up to 250 V_{AC} / 3 A, 24 V_{DC} / 2 A
Inputs	<ul style="list-style-type: none"> • 4 individual inputs • The XL2 sets markers 1 - 4 in the log file during noise level logging • XL2 uses input 1 to start the pass/fail measurement in the FFT and 1/12 Octave function (requires Spectral Limits Option) • Connector type: mounting terminals • Terminals mutually isolated • Input level 3.3 - 24 V_{DC} / 1.5 mA • Inputs have common ground with external power supply at plugged-in jumpers J7 - J10 • Inputs floating at removed jumpers J7 - J10
Status Indication Switches	PCB LEDs for output activated, input on
XL2 Control	Connection cable included, length = 2 meter Termination: <ul style="list-style-type: none"> • Tip - Signal, 1-Wire Input, white • Ring - Common ground, GND, black
Installation	Only skilled and trained electrical personnel are authorized to carry out installations. Rail mount: <ul style="list-style-type: none"> • Installation on mounting rails type NS 32, NS 35/75 PCB only: <ul style="list-style-type: none"> • Mounting with M3 screws • Use isolating washers for mounting into a metal-housing • Required installation height is 25 mm, 1"
Power Supply	<ul style="list-style-type: none"> • External power supply via terminals to be provided • Power supply range 6 - 24 V_{DC}, 1 W
Cascading	Up to 10 I/O Devices can be cascaded @ one single XL2 (cabling not included)
Dimensions W x H x D	Rail mount: 180 x 77 x 60 mm, 7.09" x 3.03" x 2.36" PCB only: 110 x 72 x 20 mm, 4.33" x 2.83" x 0.79"
Temperature	-10 °C to +50 °C (14° to 122 °F)
Humidity	< 90% RH (non-condensing at 50 °C, 122 °F)
Weight	Rail mount: 127 g, 0.28 lbs PCB only: 73 g, 0.16 lbs
Standards	CE compliant: <ul style="list-style-type: none"> • EN 61326-1 Class B • EN 55011 class B, EN 61000-4-2 to -6 and -11 Safety EN 60 065, EN 61 010-1:2001, class II
NTi Audio #	600 000 380

All information subject to change without notice.