

19" SAFEbox IP55 Indoor-Outdoor Cabinets, Enclosures and Accessories



19" SAFEbox IP55

Indoor-Outdoor Cabinet Enclosure and Accessories

4-11

19" SAFEbox IP55 Indoor Cabinet Enclosures



12-21

19" SAFEbox IP55 Outdoor Cabinet Enclosures



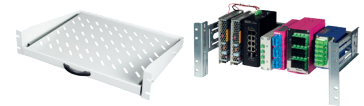
22-31

19" SAFEbox IP55 Outdoor Double Skin Cabinet Enclosures



32-53

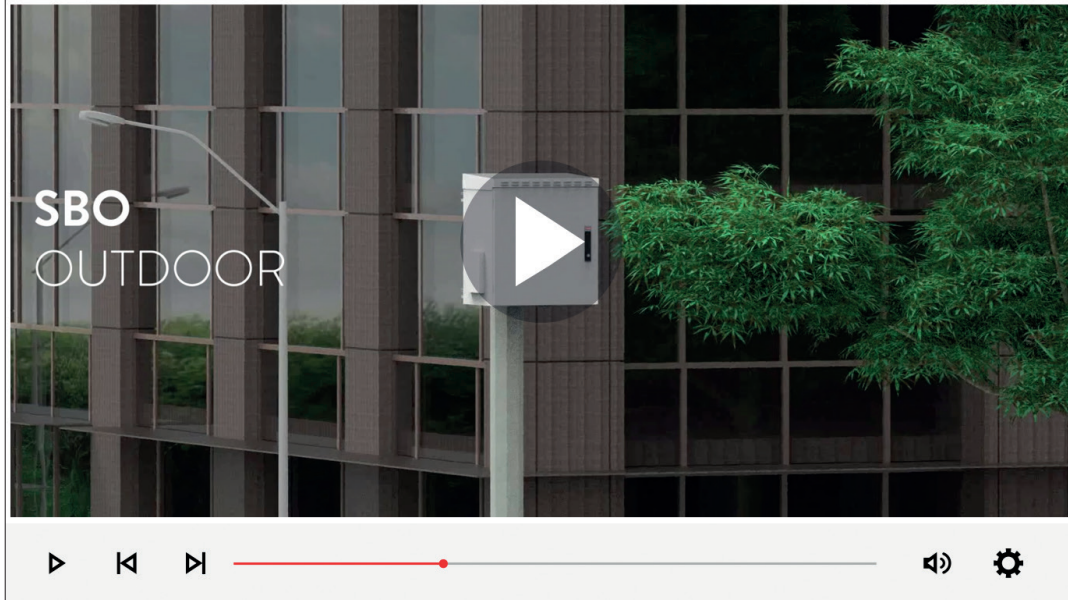
Accessories



19" SAFEbox IP55

Indoor - Outdoor Cabinet Enclosure

Product Video



<https://youtu.be/BVHgt3P-XFY>

19" SAFEbox IP55 Cabinet Enclosure

INDOOR



19" SAFEbox IP55

Indoor Cabinet Enclosure

W=600 mm SAFEbox IP55 Indoor Cabinets Enclosure

SAFEbox IP55 Indoor Cabinets are designed for industrial applications.

Based on EN60529 provided IP55 protection class against dust and water ingress. Where the enclosure provides IP55 protection against dust and water, with fan and filter integration performs IP54.

Application areas are semi-open areas like factories, warehouses, lean-to roof conditions, where no direct rain and environmental effects.

Totally gasketed doors, IP55 performing swing handle locking with 3 point locking system, isolated cable entries provides best performance for water and dust ingress.

t=1,5 mm thickness material monoblock welded construction, with epoxy polyester type powder coating which is RAL 7035 Light Grey color, provides the corrosion resistance.

The product range Safeboxes are in the sales channels from 2014. The product has superior performance against corrosion. Which as per ASTM B117 / ISO 9227 standard has been tested with 1000+ hours of salt spray resistance. Lande has taken an initiative in 2025 to improve corrosion resistance performance. As part of this enhancement, the material used has been upgraded to a composition steel made of chemical composition including zinc, aluminium, and magnesium.

Ventilation via filtered inlets and exhaust of hot air is provided as standard for passive ventilation, options to include fans for active ventilation.



19" SAFEbox IP55

Indoor Cabinet Enclosure

Width: 600 mm
Depth: 450/600 mm

Load Capacity: 100 kgs.

**U Height: 7U, 9U, 12U, 16U,
20U, 22U, 24U, 26U**

Standards and Compliances:



ISO 9001
Quality Management System

EN 61587-1
Mechanical Structures for
Electronic Equipment

EN IEC 297-1, 19" Mounting
EN IEC 297-2 Overall Cabinet
Dimensions

EN/IEC 60529- IP55 Ingress Protection
performance

EN/IEC 62262- IK10 Mechanical
Impact Resistance

EIA/ ECA-310 (D/E) 19" 482,6 mm and
U 44,45 mm Height Sizing



CE conform to
EN 60950-1
Information Technology
Equipment, Safety,
Part-1: General Requirement

EN IEC 62368-1 Audio/Video,
Information and Communication
Technology Equipment
Part 1: Safety requirements



UL listed to
UL 2416, Outline of Investigation for
Audio/Video, Information and
Communication Technology Equipment
Cabinet, Enclosure and Rack
Systems; UL 60950-1 and CSA
C22.2 NO. 60950-1-07, Information
Technology Equipment Safety
Part 1: General Requirements



Environment Friendly;
ISO 14001 Environmental
Management System
RoHS compliancy
%100 Recyclable Material

Standard Color:



RAL 7035 Light Grey



SAFEbox IP55 indoor cabinet enclosure series with 19" w:600 mm and d:450/600 mm sizes, in 8 different U heights, gives a wide selection chart for users.

19" SAFEbox IP55

Indoor Cabinet Enclosure

Width: 600 mm
Depth: 450/600 mm

Construction details:

Keyed swing lock handle with 3 point locking system provides security and anti-vandal structure, also maintaining the IP55 protection.

Integrated fan filter housings creates fresh air inlet, performing IP54 protection of water and dust ingress.

Roof canopy provides IP54 protection once 1 or 2 fan module integrated on the ABS grill housing. Filtered openings provides efficient hot air removal from enclosure.

Front door opening angle is up to 140 degrees. Front door has an infused sealing gasket structure which provides excellent IP protection even cold/hot weather conditions.

IP55 conforming cable entry points, multiple access with 2xPG21, 1xPG48 integrated cable entry pats, 2 pcs 28 mm diameter PVC blind cap. Which as an option can be replaced with PG21 cable entry pats. After insertion of the cables to the enclosure, it is recommended to close the openings with foam or insulation material. In addition all Safebox cabinets are delivered with a plain metal cable entry panel which means if shipping configuration cable entry pats are not suitable for your project punching can be done on the spare cable entry plain panel.

The front door is grounded to the main body with yellow/green 4,0 mm diameter copper wire.

The front door has strengthening bars welded inside the front door, 2 pcs U shaped.

19" rails of Lande SAFEbox IP55 Indoor Cabinets has automated silk-screen U numbering, from top to bottom or bottom to top. To save time when installing equipment. 19" rails are 4 fold bending for strength 1,5 mm thickness provides the high load capacities. The 19" rails are made of steel with 8-12 micron zinc plating for corrosion resistance. 19" rails are adjustable in depth. Cabinets are delivered with 1set: 2pcs 19" front rails.

The front door infused sealing gasket sits on the flange bends of main cabinet construction maintaining the IP rating.

Included 4 pcs, t: 3,0 mm thickness wall fixing brackets with proper washer and screws.

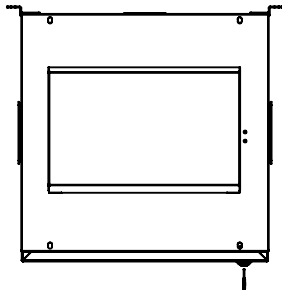


19" SAFEbox IP55

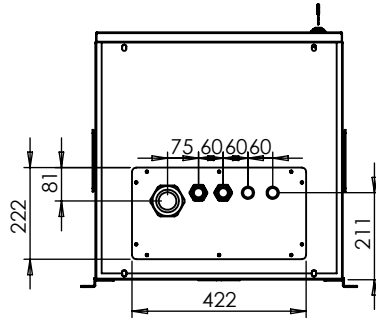
Indoor Cabinet Enclosure

Width: 600 mm
Depth: 450/600 mm

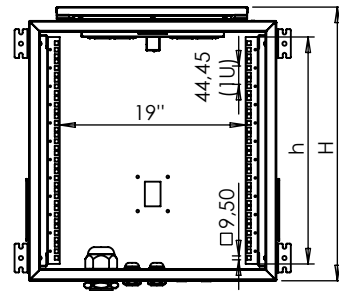
Construction Drawings



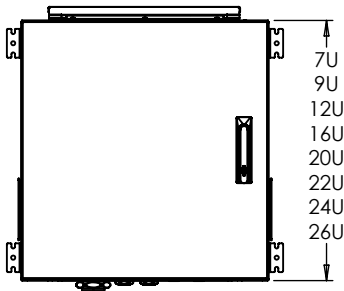
Top view



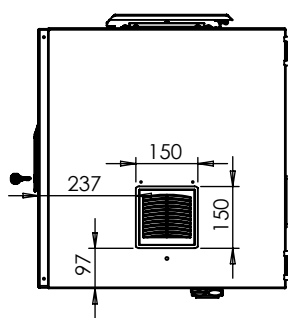
Bottom view



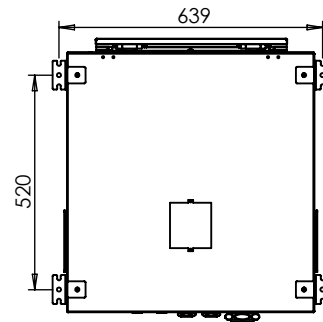
Front inside view



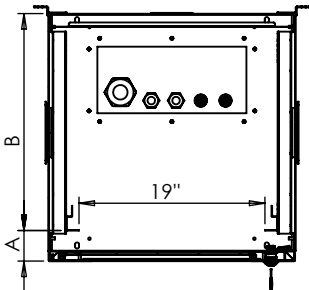
Front view



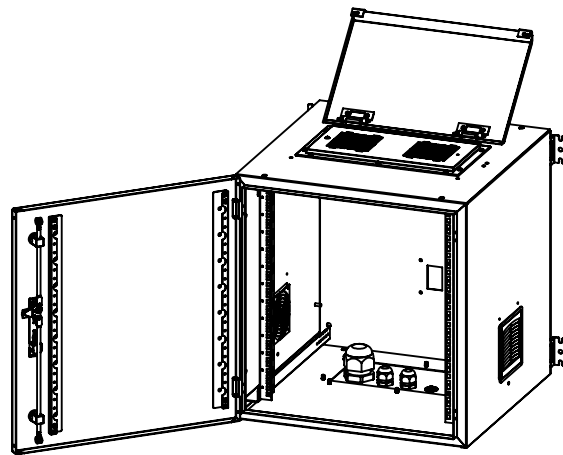
Side view



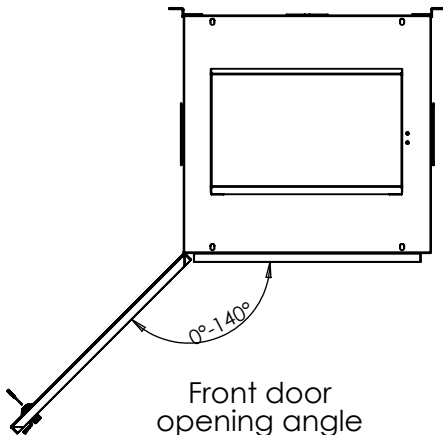
Rear view



Top inside view



3 point locking system



Front door opening angle

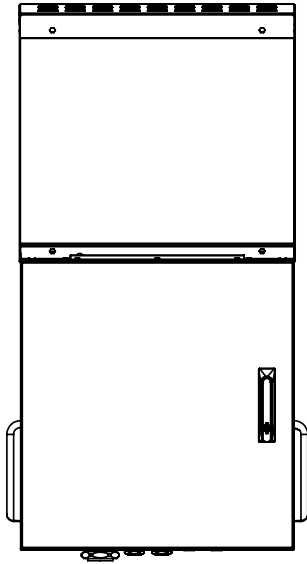
	A		B		D
	Min	Max	Min	Max	
D=450	60 mm	185 mm	260 mm	385 mm	7U 298 mm
D=600	60 mm	335 mm	260 mm	535 mm	9U 387 mm
					12U 520 mm
					16U 698 mm
					20U 876 mm
					22U 965 mm
					24U 1054 mm
					26U 1142 mm

19" SAFEbox IP55

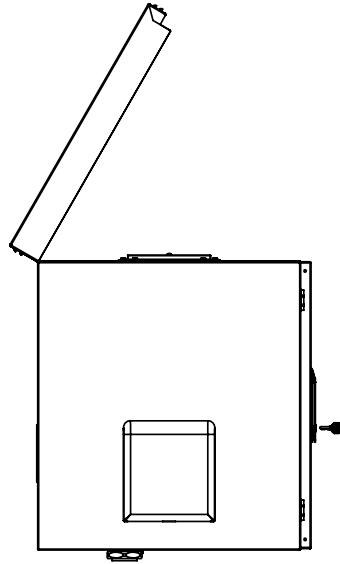
Indoor Cabinet Enclosure

Width: 600 mm
Depth: 450/600 mm

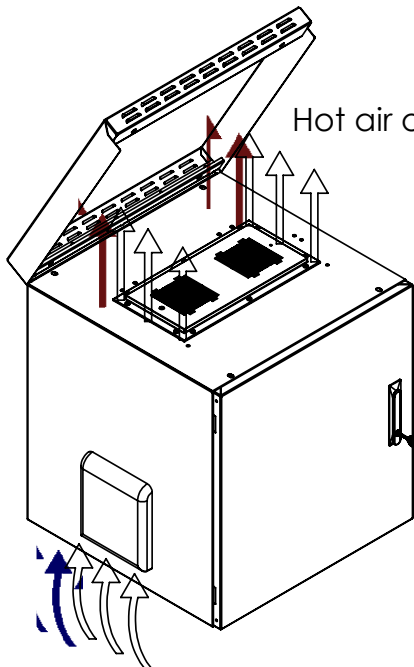
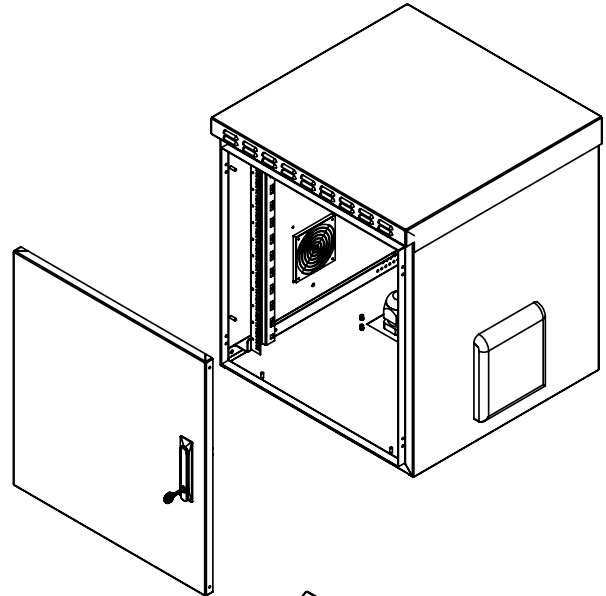
Construction Drawings



Top cover opening view

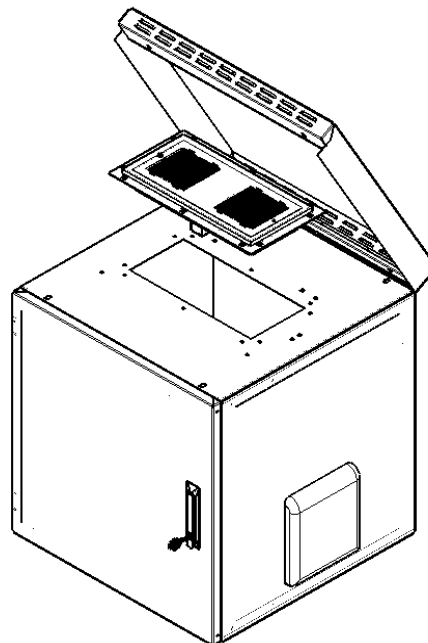


Top cover opening view side

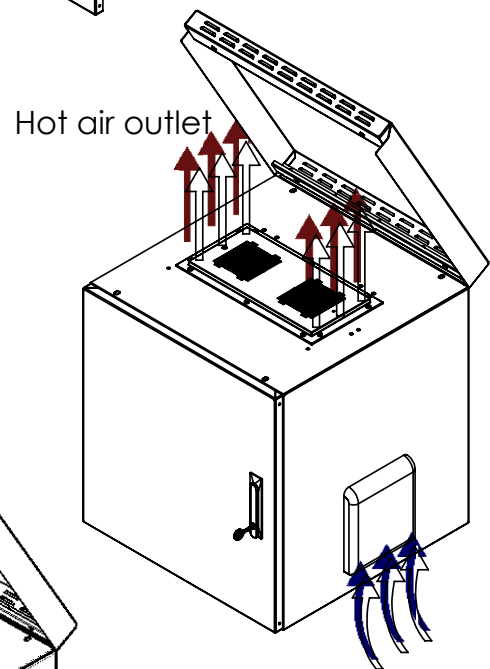


Cool air inlet

Hot air outlet



Air removal



Hot air outlet

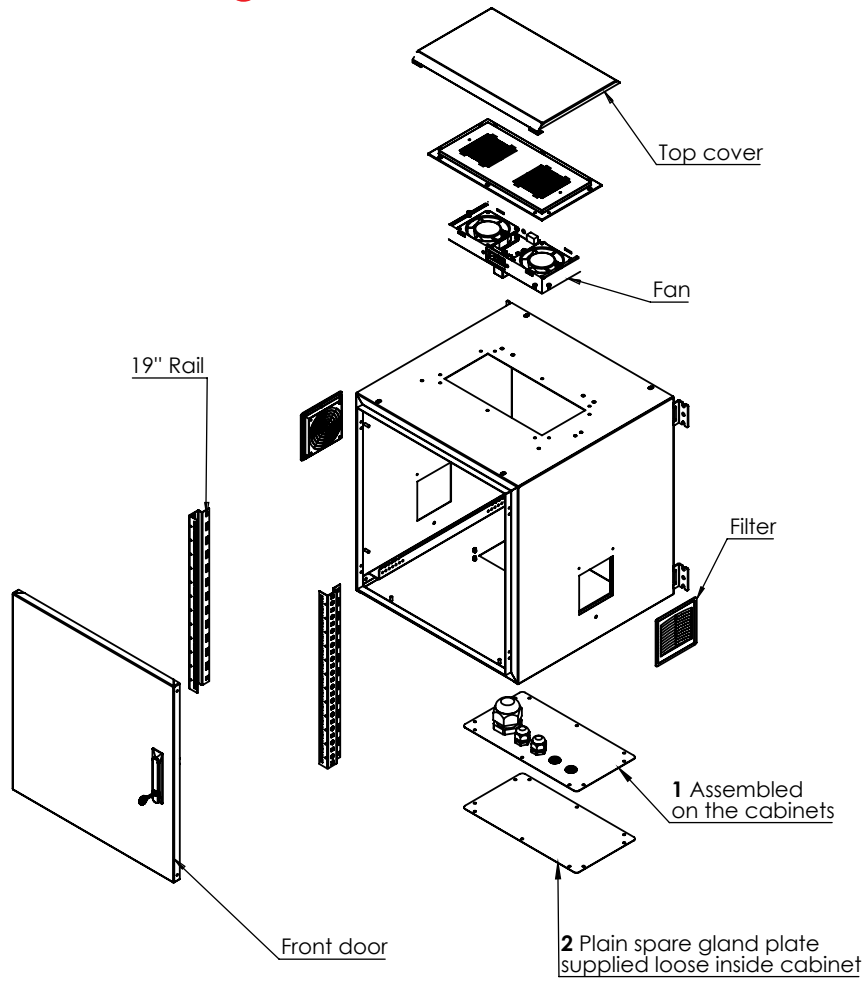
Cool air inlet

19" SAFEbox IP55

Indoor Cabinet Enclosure

Width: 600 mm
Depth: 450/600 mm

Construction Drawings



19" SAFEbox Series IP55 Indoor Cabinet Enclosure W=600 mm D=450/600 mm

Product Number*	Product Description	Size WxDxH mm	h Size in U	h in mm	H mm, overall without feet and/or castor	Width Overall mm	Width Rail to Rail	Depth Overall mm	Depth Shipping Conf. Rail to Rail mm	QTY IN PACKAGE	PACKING DIMENSIONS WxDxH mm	Standard NET Weight of Product kgs	Gross Weight of Product kgs	QTY IN PALLET	PALLET DIMENSIONS WxDxH mm	Pallet Weight kgs
LN-SBI-IP5507U6045-LG-1	7U 19" SafeBox IP55 indoor cabinet enclosure W=600 mm D=450 mm	600x450x440	7U	311	440	600	19"	450	345	1	630x480x470	25	26	20	1100x1300x2500	537
LN-SBI-IP5509U6045-LG-1	9U 19" SafeBox IP55 indoor cabinet enclosure W=600 mm D=450 mm	600x450x529	9U	400	529	600	19"	450	345	1	630x480x550	28	29	16	1100x1300x2350	481
LN-SBI-IP5512U6045-LG-1	12U 19" SafeBox IP55 indoor cabinet enclosure W=600 mm D=450 mm	600x450x663	12U	533	663	600	19"	450	345	1	630x480x690	31	32	12	1100x1300x2210	389
LN-SBI-IP5516U6045-LG-1	16U 19" SafeBox IP55 indoor cabinet enclosure W=600 mm D=450 mm	600x450x841	16U	711	841	600	19"	450	345	1	630x480x870	37	38	10	1100x1300x2500	387
LN-SBI-IP5520U6045-LG-1	20U 19" SafeBox IP55 indoor cabinet enclosure W=600 mm D=450 mm	600x450x1018	20U	889	1018	600	19"	450	345	1	630x480x1040	43	44,5	8	1300x1300x1780	373
LN-SBI-IP5522U6045-LG-1	22U 19" SafeBox IP55 indoor cabinet enclosure W=600 mm D=450 mm	600x450x1107	22U	977	1107	600	19"	450	345	1	630x480x1130	46	47,5	8	1300x1300x1960	398
LN-SBI-IP5524U6045-LG-1	24U 19" SafeBox IP55 indoor cabinet enclosure W=600 mm D=450 mm	600x450x1196	24U	1066	1196	600	19"	450	345	1	630x480x1200	48	49,7	8	1300x1300x2140	415
LN-SBI-IP5526U6045-LG-1	26U 19" SafeBox IP55 indoor cabinet enclosure W=600 mm D=450 mm	600x450x1285	26U	1155	1285	600	19"	450	345	1	630x480x1305	51	52,9	8	1300x1300x2310	441
LN-SBI-IP5507U6060-LG-1	7U 19" SafeBox IP55 indoor cabinet enclosure W=600 mm D=600 mm	600x600x440	7U	311	440	600	19"	600	495	1	630x630x470	30	31	20	1300x1300x2500	645
LN-SBI-IP5509U6060-LG-1	9U 19" SafeBox IP55 indoor cabinet enclosure W=600 mm D=600 mm	600x600x529	9U	400	529	600	19"	600	495	1	630x630x550	33	34	16	1300x1300x2350	569
LN-SBI-IP5512U6060-LG-1	12U 19" SafeBox IP55 indoor cabinet enclosure W=600 mm D=600 mm	600x600x663	12U	533	663	600	19"	600	495	1	630x630x690	37	38	12	1300x1300x2210	481
LN-SBI-IP5516U6060-LG-1	16U 19" SafeBox IP55 indoor cabinet enclosure W=600 mm D=600 mm	600x600x841	16U	711	841	600	19"	600	495	1	630x630x870	43	44	10	1300x1300x2500	465
LN-SBI-IP5520U6060-LG-1	20U 19" SafeBox IP55 indoor cabinet enclosure W=600 mm D=600 mm	600x600x1018	20U	889	1018	600	19"	600	495	1	630x630x1040	50	51,8	8	1300x1300x1780	432
LN-SBI-IP5522U6060-LG-1	22U 19" SafeBox IP55 indoor cabinet enclosure W=600 mm D=600 mm	600x600x1107	22U	977	1107	600	19"	600	495	1	630x630x1130	53	54,8	8	1300x1300x1960	456
LN-SBI-IP5524U6060-LG-1	24U 19" SafeBox IP55 indoor cabinet enclosure W=600 mm D=600 mm	600x600x1196	24U	1066	1196	600	19"	600	495	1	630x630x1200	56	57,8	8	1300x1300x2140	480
LN-SBI-IP5526U6060-LG-1	26U 19" SafeBox IP55 indoor cabinet enclosure W=600 mm D=600 mm	600x600x1285	26U	1155	1285	600	19"	600	495	1	630x630x1305	59	61	8	1300x1300x2310	506

*In the part number 1 notation means the front door is solid metal front door. If glass door is required replace 1 with 2 example part nr: LN-SBI12U6060-LG-2

*** To increase corrosion resistance performance- started in 2025- as an enhancement- used material is upgraded to **Magnelis®** Which is a composition steel made of chemical composition including zinc, aluminium, and magnesium.

19" SAFEbox IP55 Indoor Cabinet Enclosure

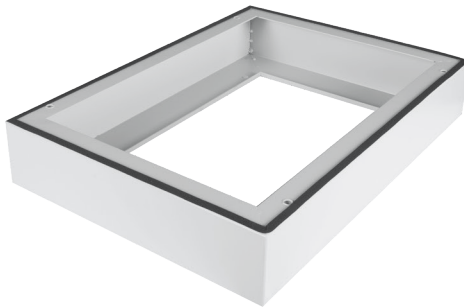
Width: 600 mm
Depth: 450/600 mm

Accessories



Ready pre-installed, plug-in and run style, with 0-60°C operating analogue thermostat switch and plugs. Each fan has an air flow capacity of 2,63-3,03cbm/min. Fan technical data: 13,8/11,8W, 220/240V AC, 50/60Hz, 0,14/0,12A, 2550/2750rpm 43-47dB-A noise level. Fan life: 50.000hours at 40°C.

FAN MODULES with ANALOGUE THERMOSTAT	Logistics Data							COMPATIBLE WITH	
								19" SAFEbox IP55 Indoor Cabinet Enclosure	
Part Number and Product Description	Product Dimensions WxDxH mm	Pack Dimensions WxDxH mm	Product Net Weight kgs	Product Gross Weight kgs	QTY in Box pcs	Box Dimensions WxDxH mm	Box Gross Weight kgs	600x450	600x600
LN-FAN-THM-1FWMIP-LG 1 fan module thermostat switched - filtered for SAFEbox IP55 Indoor Cabinets Enclosure	346x175x50	380x160x60	1,53	1,76	15	545x425x400	28,2	•	•
LN-FAN-THM-2FWMIP-LG 2 Fan Module thermostat switched - filtered for SAFEbox IP55 Indoor Cabinets Enclosure	346x175x50	380x160x60	1,97	2,20	15	545x425x400	34,9	•	•
LN-FAN-THM-1FWMIP-LG-48 Fan Module thermostat switched, filtered for SAFEbox IP55 Indoor Cabinets Enclosure, 48V DC	346x175x50	380x160x60	1,53	1,76	15	545x425x400	28,2	•	•
LN-FAN-THM-2FWMIP-LG-48 Fan Module thermostat switched, filtered for SAFEbox IP55 Indoor Cabinets Enclosure, 48V DC	346x175x50	380x160x60	1,97	2,20	15	545x425x400	34,9	•	•



100 mm height, to integrate under bottom case of cabinet, with the intend of establishing cable reserve as well to raise cabinet to a certain height from the concrete basement. Fixings are from 4 corners to concrete basement with M12 nut and screws. Screws and nuts not included in shipping configuration.

PLINTH	Logistics Data							COMPATIBLE WITH	
								19" SAFEbox IP55 Indoor Cabinet Enclosure	
Part Number and Product Description	Product Dimensions WxDxH mm	Pack Dimensions WxDxH mm	Product Net Weight kgs	Product Gross Weight kgs	QTY in Box pcs	Box Dimensions WxDxH mm	Box Gross Weight kgs	600x450	600x600
LN-PLNTH-D45-LG Plinth H 100, for concrete basement, for Safebox Cabinets when used on floor for 600x450 mm cabinets	600x450x100	620x470x120	6,5	7	-	-	-	•	-
LN-PLNTH-D60-LG Plinth H 100, for concrete basement, for Safebox Cabinets when used on floor for 600x600 mm cabinets	600x600x100	620x620x120	7,8	8,6	-	-	-	-	•

19" SAFEbox IP55 Cabinet Enclosure

OUTDOOR



19" SAFEbox IP55

Outdoor Cabinet Enclosure

W=600 mm SAFEbox IP55 Outdoor Cabinet Enclosure

SAFEbox IP55 Outdoor Cabinets are designed for industrial applications.

Based on EN60529 provided IP55 protection class against dust and water ingress. Where the enclosure provides IP55 protection against dust and water, with fan and filter integration performs IP54.

Application areas are open areas under effects of environment, with protection of the equipment inside the enclosure against ingress of solid foreign objects (falling dirt and windblown dust), and to provide a degree of protection with respect to harmful effects on the equipment due to the ingress of water (rain, sleet, snow, splashing water).

Totally gasketed doors, IP55 performing swing handle locking with 3 point locking system, isolated cable entries provides best performance for water and dust ingress.

t=1,5 mm thickness material monoblock welded construction, with epoxy polyester type powder coating which is RAL 7035 Light Grey color, provides the corrosion resistance.

The product range Safeboxes are in the sales channels from 2014. The product has superior performance against corrosion. Which as per ASTM B117 / ISO 9227 standard has been tested with 1000+ hours of salt spray resistance. Lande has taken an initiative in 2025 to improve corrosion resistance performance. As part of this enhancement, the material used has been upgraded to a composition steel made of chemical composition including zinc, aluminium, and magnesium.

Ventilation via filtered inlets and exhaust of hot air is provided as standard for passive ventilation, options to include fans for active ventilation.



19" SAFEbox IP55

Outdoor Cabinet Enclosure

Width: 600 mm
Depth: 450/600 mm

Load Capacity: 100 kgs.

**U Height: 7U, 9U, 12U, 16U,
20U, 22U, 24U, 26U**

Standards and Compliances:



ISO 9001
Quality Management System

EN 61587-1
Mechanical Structures for
Electronic Equipment

EN IEC 297-1, 19" Mounting
EN IEC 297-2 Overall Cabinet
Dimensions

EN/IEC 60529- IP55 Ingress Protection
performance

EN/IEC 62262- IK10 Mechanical
Impact Resistance

EIA/ ECA-310 (D/E) 19" 482,6 mm and
U 44,45 mm Height Sizing



CE conform to
EN 60950-1
Information Technology
Equipment, Safety,
Part-1: General Requirement

EN IEC 62368-1 Audio/Video,
Information and Communication
Technology Equipment
Part 1: Safety requirements



UL listed to
UL 2416, Outline of Investigation for
Audio/Video, Information and
Communication Technology Equipment
Cabinet, Enclosure and Rack
Systems; UL 60950-1 and CSA
C22.2 NO. 60950-1-07, Information
Technology Equipment Safety
Part 1: General Requirements



Environment Friendly;
ISO 14001 Environmental
Management System
RoHS compliancy
%100 Recyclable Material

Standard Color:



RAL 7035 Light Grey



SAFEbox IP55 Outdoor Cabinet Enclosures with 19" w:600 mm and d:450/600 mm sizes, in 8 different U heights, gives a wide selection chart for users.

19" SAFEbox IP55

Outdoor Cabinet Enclosure

Width: 600 mm
Depth: 450/600 mm

Construction details:

Integrated fan filter housings creates fresh air inlet, performing IP54 protection of water and dust ingress. With the metal cap on the fan filter housings the enclosure is protected against splashing water.

Roof canopy provides IP54 protection once 1 or 2 fan module integrated on the ABS grill housing. Filtered openings provides efficient hot air removal from enclosure. ***See options of hot air removal on drawings.

Front door opening angle is up to 140 degrees. Front door has an infused sealing gasket structure which provides excellent IP protection even cold/hot weather conditions.

Keyed swing lock handle with 3 point locking system provides security and anti-vandal structure, also maintaining the IP55 protection.

IP55 conforming cable entry points, multiple access with 2xPG21, 1xPG48 integrated cable entry pats, 2 pcs 28 mm diameter PVC Blind cap. Which as an option can be replaced with PG21 cable entry pats. After insertion of the cables to the enclosure, it is recommended to close the openings with foam or insulation material. In addition all Safebox cabinets are delivered with a plain metal cable entry panel which means if shipping configuration cable entry pats are not suitable for your project punching can be done on the spare cable entry plain panel.

The front door is grounded to the main body with yellow/green 4,0 mm diameter copper wire. Front door has the strengthening bar welded inside part of the front door, 2 pcs U shaped.

19" rails of Lande SAFEbox IP55 Outdoor Cabinets has automated silk-screen U numbering, from top to bottom or bottom to top. To save time when installing equipment.

19" rails are 4 fold bending for strength 1,5 mm thickness provides the high load capacities. The 19" rails are made of steel with 8-12 micron zinc plating for corrosion resistance. 19" rails are adjustable in depth. Cabinets are delivered with 1set: 2pcs 19" front rails.

The front door infused sealing gasket sits on the flange bends of main cabinet construction maintaining the IP rating.

Included 4 pcs, t:3,0 mm thickness wall fixing brackets with correct screws and washers.

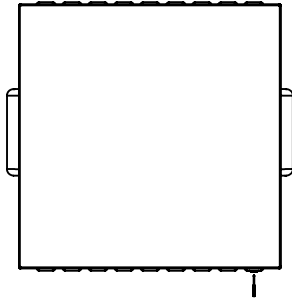


19" SAFEbox IP55

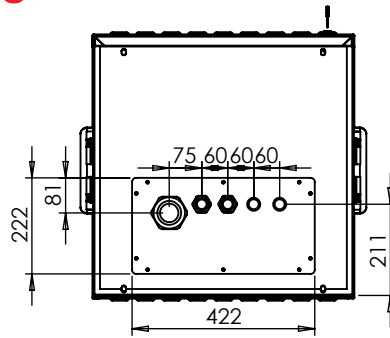
Outdoor Cabinet Enclosure

Width: 600 mm
Depth: 450/600 mm

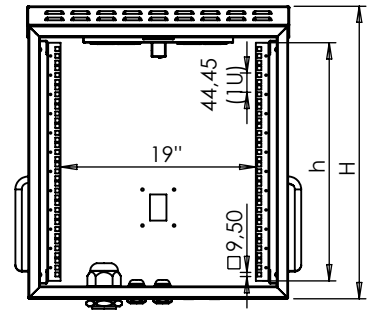
Construction Drawings



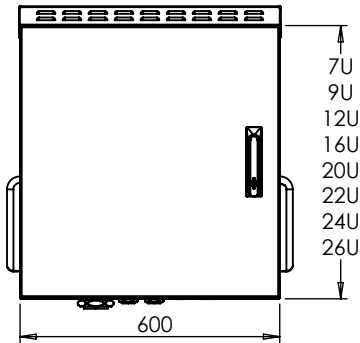
Top view



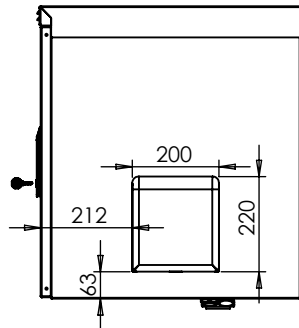
Bottom view



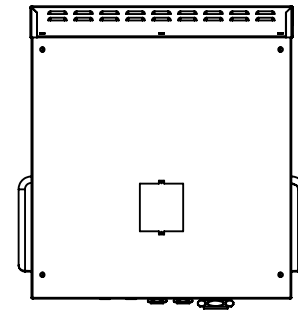
Front inside view



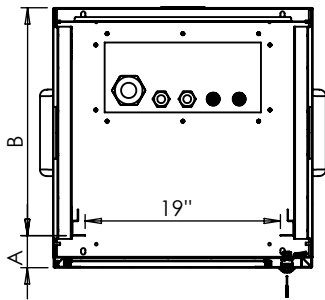
Front view



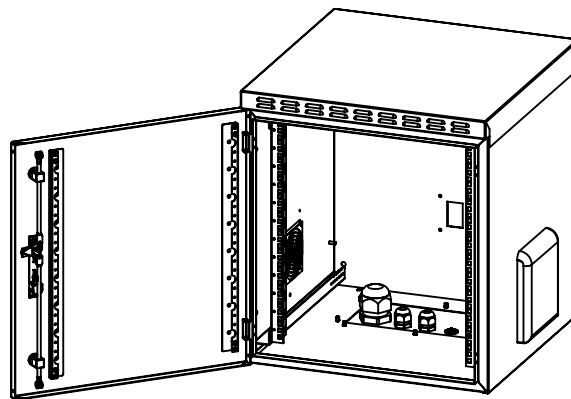
Side view



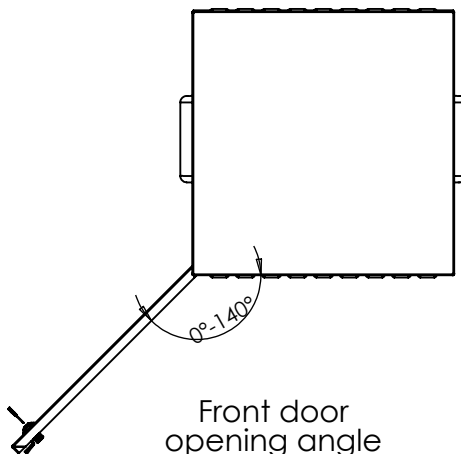
Rear view



Top inside view



3 point locking system



Front door opening angle

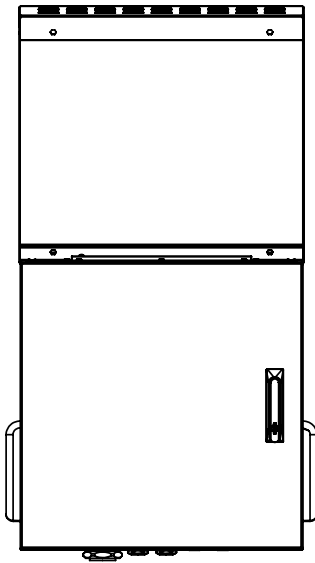
	A		B	
	Min	Max	Min	Max
D=450	60 mm	185 mm	260 mm	385 mm
D=600	60 mm	335 mm	260 mm	535 mm

19" SAFEbox IP55

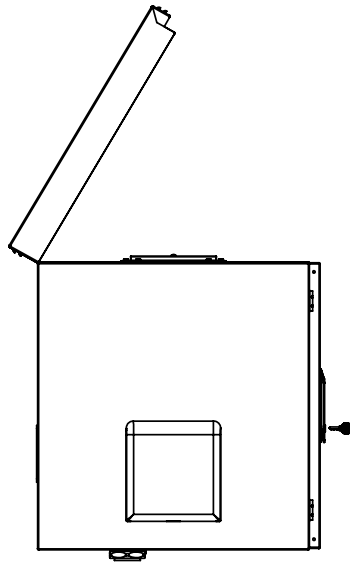
Outdoor Cabinet Enclosure

Width: 600 mm
Depth: 450/600 mm

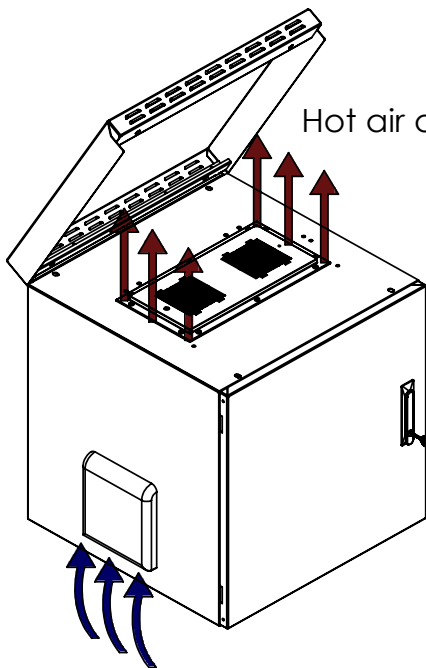
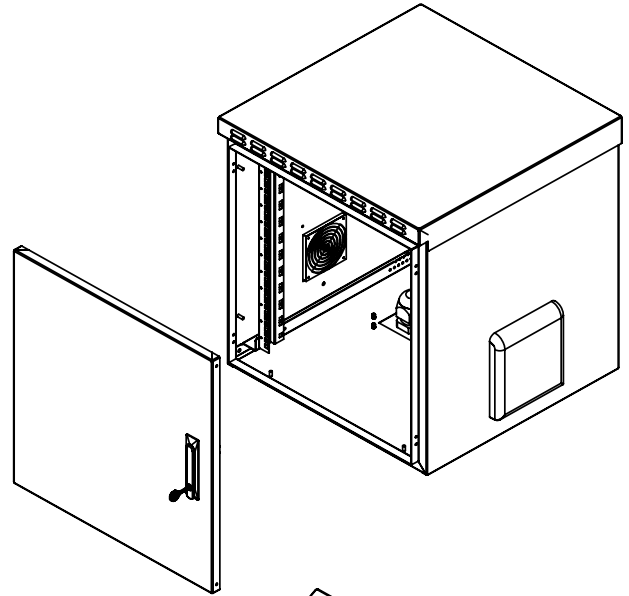
Construction Drawings



Top cover opening view

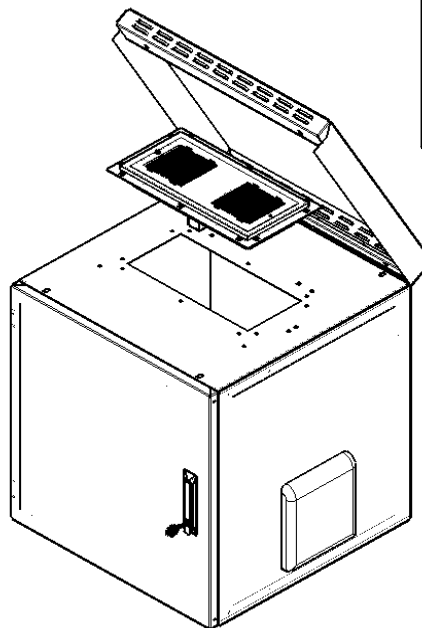


Top cover opening view side



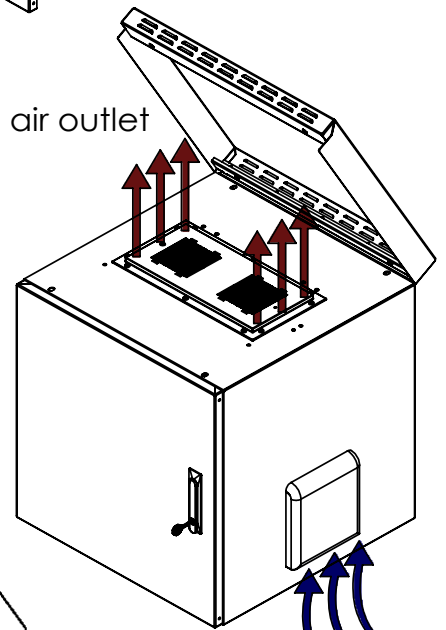
Cool air inlet

Hot air outlet



Air removal

Hot air outlet



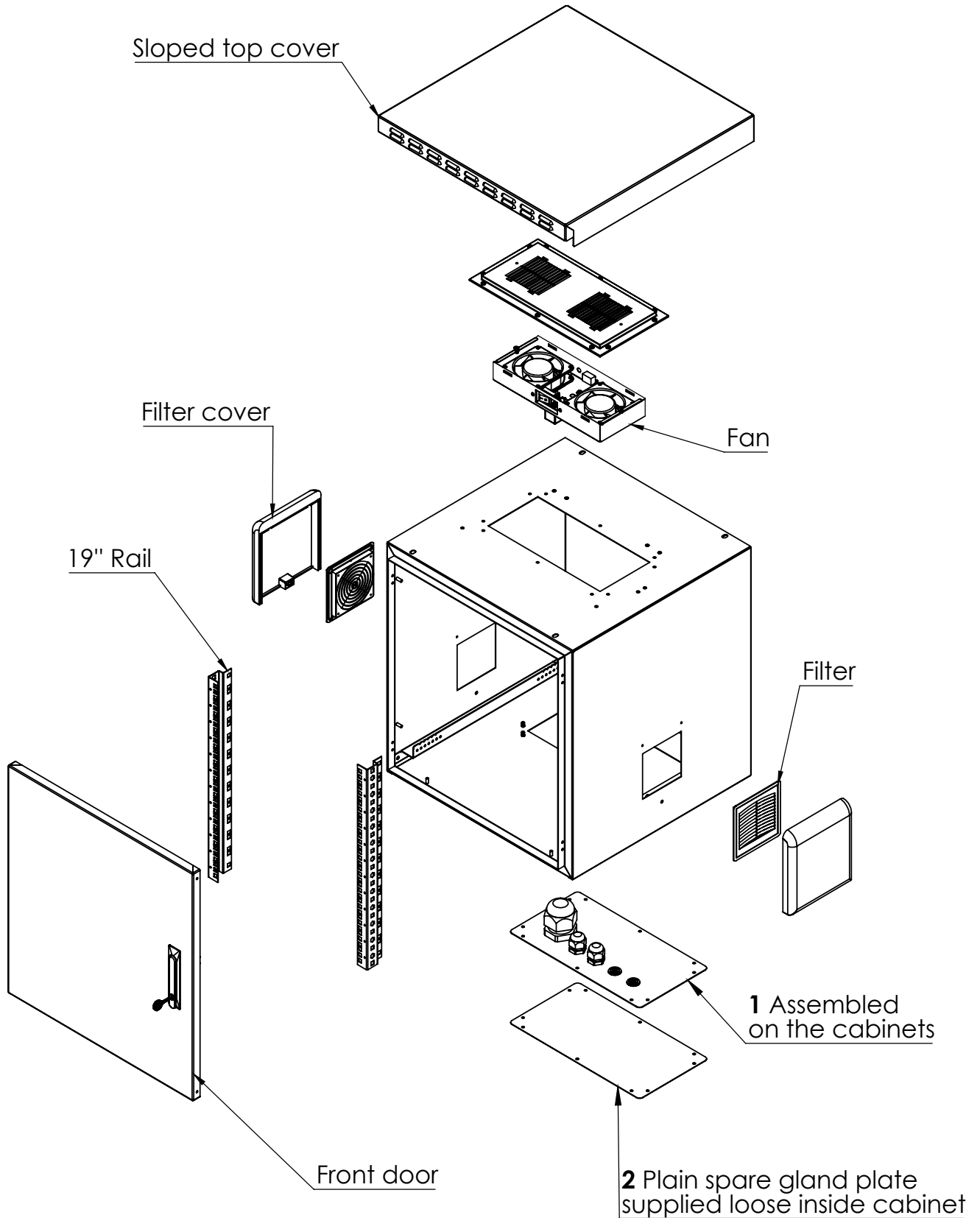
Cool air inlet

19" SAFEbox IP55

Outdoor Cabinet Enclosure

Width: 600 mm
Depth: 450/600 mm

Construction Drawings

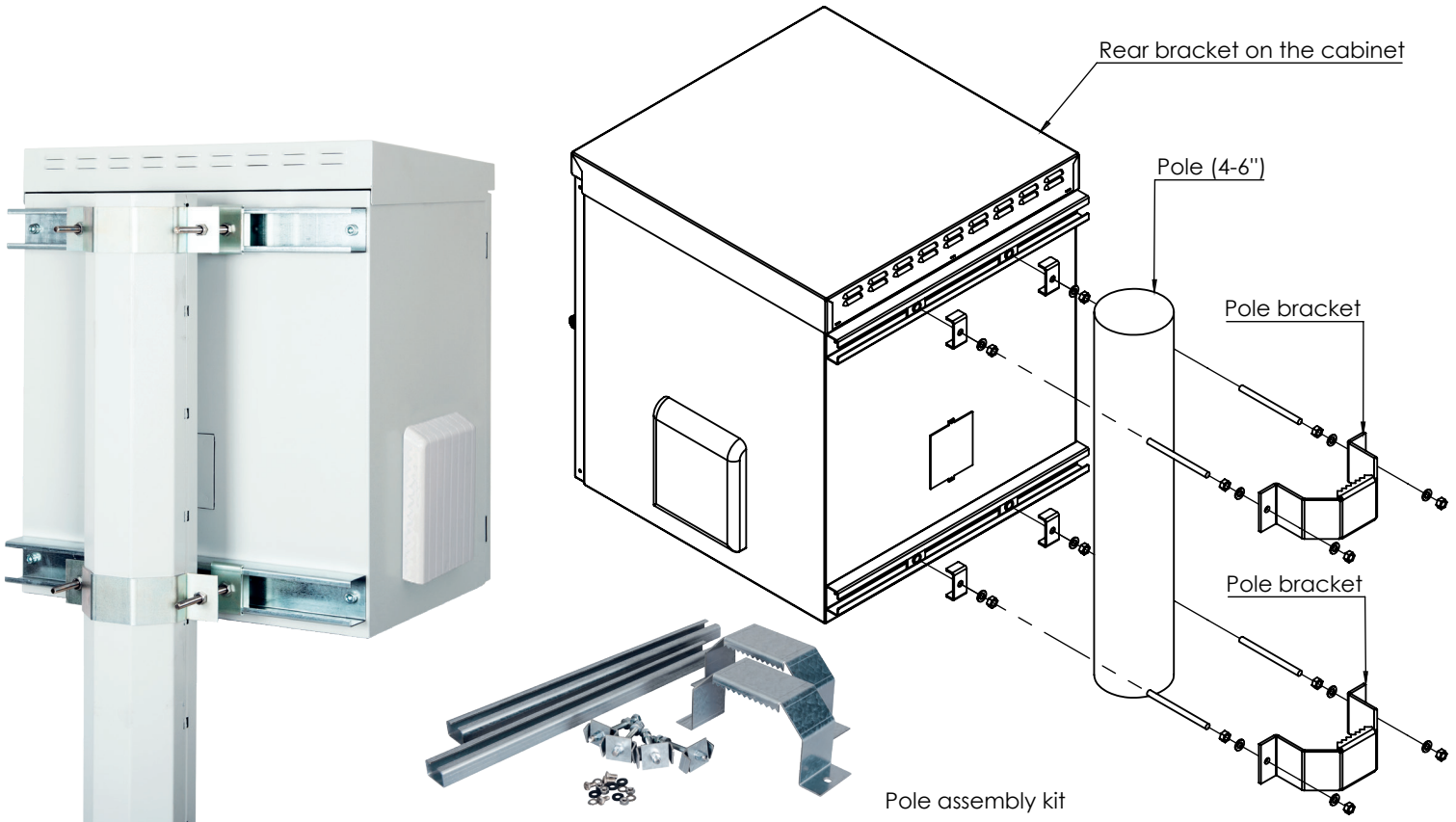


19" SAFEbox IP55

Outdoor Cabinet Enclosure

Width: 600 mm
Depth: 450/600 mm

Construction Drawings



19" SAFEbox Series IP55 Outdoor Cabinets Enclosure W=600 mm D=450/600 mm

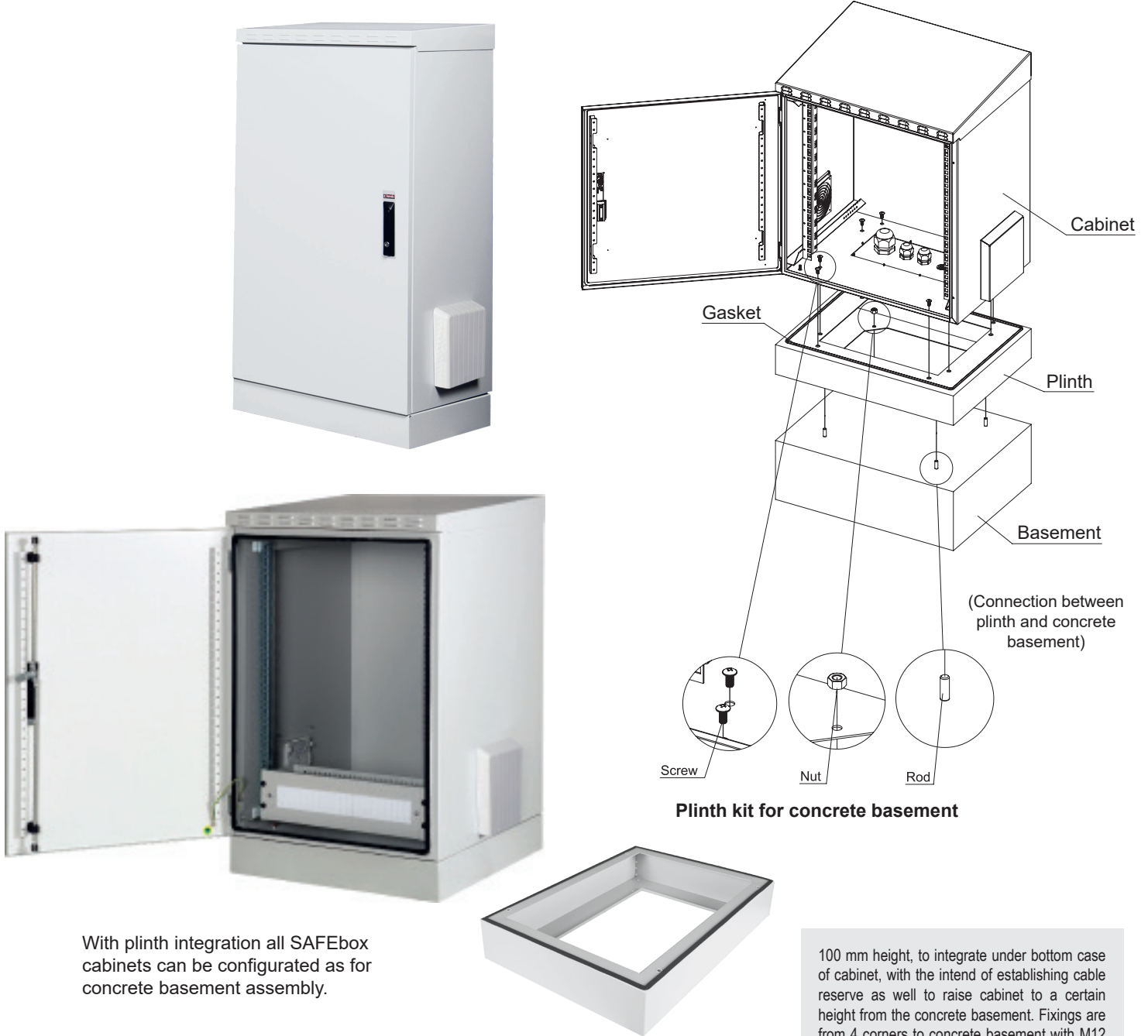
Product Number	Product Description	Size WxDxH mm	h Size in U	h in mm	H mm, overall without feet and/or castor	Width Overall mm	Width Rail to Rail	Depth Overall mm	Depth Shipping Conf. Rail to Rail mm	QTY IN PACKAGE	PACKING DIMENSIONS WxDxH mm	Standard NET Weight of Product kgs	Gross Weight of Product kgs	QTY IN PALLET	PALLET DIMENSIONS WxDxH mm	Pallet Weight kgs
LN-SBO-IP5507U6045-LG	7U 19" SafeBox IP55 outdoor cabinet enclosure W=600 mm D=450 mm	600x450x490	7U	311	490	600	19"	450	345	1	690x480x510	31	32	16	1300x1300x2200	532
LN-SBO-IP5509U6045-LG	9U 19" SafeBox IP55 outdoor cabinet enclosure W=600 mm D=450 mm	600x450x579	9U	400	579	600	19"	450	345	1	690x480x600	33	34	16	1300x1300x2550	564
LN-SBO-IP5512U6045-LG	12U 19" SafeBox IP55 outdoor cabinet enclosure W=600 mm D=450 mm	600x450x713	12U	533	713	600	19"	450	345	1	690x480x730	37	38	12	1300x1300x2350	476
LN-SBO-IP5516U6045-LG	16U 19" SafeBox IP55 outdoor cabinet enclosure W=600 mm D=450 mm	600x450x891	16U	711	891	600	19"	450	345	1	690x480x910	41	43	8	1300x1300x2000	365
LN-SBO-IP5520U6045-LG	20U 19" SafeBox IP55 outdoor cabinet enclosure W=600 mm D=450 mm	600x450x1068	20U	889	1068	600	19"	450	345	1	690x480x1090	48	49,5	8	1300x1300x1780	414
LN-SBO-IP5522U6045-LG	22U 19" SafeBox IP55 outdoor cabinet enclosure W=600 mm D=450 mm	600x450x1157	22U	977	1157	600	19"	450	345	1	690x480x1180	51	52,5	8	1300x1300x1960	438
LN-SBO-IP5524U6045-LG	24U 19" SafeBox IP55 outdoor cabinet enclosure W=600 mm D=450 mm	600x450x1245	24U	1066	1245	600	19"	450	345	1	690x480x1265	53	54,7	8	1300x1300x2140	455
LN-SBO-IP5526U6045-LG	26U 19" SafeBox IP55 outdoor cabinet enclosure W=600 mm D=450 mm	600x450x1334	26U	1155	1334	600	19"	450	345	1	690x480x1355	56	57,9	8	1300x1300x2310	482
LN-SBO-IP5507U6060-LG	7U 19" SafeBox IP55 outdoor cabinet enclosure W=600 mm D=600 mm	600x600x490	7U	311	490	600	19"	600	495	1	690x630x510	37	38	16	1300x1300x2200	633
LN-SBO-IP5509U6060-LG	9U 19" SafeBox IP55 outdoor cabinet enclosure W=600 mm D=600 mm	600x600x579	9U	400	579	600	19"	600	495	1	690x630x600	40	41	16	1300x1300x2550	681
LN-SBO-IP5512U6060-LG	12U 19" SafeBox IP55 outdoor cabinet enclosure W=600 mm D=600 mm	600x600x713	12U	533	713	600	19"	600	495	1	690x630x730	43	45	12	1300x1300x2350	565
LN-SBO-IP5516U6060-LG	16U 19" SafeBox IP55 outdoor cabinet enclosure W=600 mm D=600 mm	600x600x891	16U	711	891	600	19"	600	495	1	690x630x910	49	51	8	1300x1300x2000	433
LN-SBO-IP5520U6060-LG	20U 19" SafeBox IP55 outdoor cabinet enclosure W=600 mm D=600 mm	600x600x1068	20U	889	1068	600	19"	600	495	1	690x630x1090	58	59,8	8	1300x1300x1780	496
LN-SBO-IP5522U6060-LG	22U 19" SafeBox IP55 outdoor cabinet enclosure W=600 mm D=600 mm	600x600x1157	22U	977	1157	600	19"	600	495	1	690x630x1180	61	62,8	8	1300x1300x1960	520
LN-SBO-IP5524U6060-LG	24U 19" SafeBox IP55 outdoor cabinet enclosure W=600 mm D=600 mm	600x600x1245	24U	1066	1245	600	19"	600	495	1	690x630x1265	64	65,8	8	1300x1300x2140	545
LN-SBO-IP5526U6060-LG	26U 19" SafeBox IP55 outdoor cabinet enclosure W=600 mm D=600 mm	600x600x1334	26U	1155	1334	600	19"	600	495	1	690x630x1355	67	69	8	1300x1300x2310	570
LN-SBO-PL-KIT-ZN	Pole assembly kit, for 4-6" pole diameter, zinc plated	Box 1 profile	70x35x600	-	-	-	-	-	-	1	72x37x602	3,3	3,32	-	-	-
		Box 2 brackets	145x85x380	-	-	-	-	-	-	-	1	147x87x382	2,7	2,72	-	-
LN-PLNTH-D45-LG	Plinth H 100, for concrete basement, for Safebox Cabinets when used on floor for 600x450 mm cabinets	600x450x100	-	-	-	600	-	450	-	1	620x470x120	6,5	7	30	600x1000x1800	230
LN-PLNTH-D60-LG	Plinth H 100, for concrete basement, for Safebox Cabinets when used on floor for 600x600 mm cabinets	600x600x100	-	-	-	600	-	600	-	1	620x620x120	7,8	8,6	30	600x1000x1800	280

*** To increase corrosion resistance performance- started in 2025- as an enhancement- used material is upgraded to **Magnelis®** Which is a composition steel made of chemical composition including zinc, aluminium, and magnesium.

19" SAFEbox IP55

Outdoor Cabinet Enclosure Free Standing Application with Plinth Usage

Width: 600 mm
Depth: 450/600 mm



With plinth integration all SAFEbox cabinets can be configured as for concrete basement assembly.

100 mm height, to integrate under bottom case of cabinet, with the intend of establishing cable reserve as well to raise cabinet to a certain height from the concrete basement. Fixings are from 4 corners to concrete basement with M12 nut and screws. Screws and nuts not included in shipping configuration.

SAFEbox Series IP55 Outdoor Plinth for Concrete Assembly

Product Number	Product Description	Size WxDxH mm	h Size in U	h in mm	H mm, overall without feet and/or castor	Width Overall mm	Width Rail to Rail	Depth Overall mm	Depth Shipping Conf. Rail to Rail mm	QTY IN PACKAGE	PACKING DIMENSIONS WxDxH mm	Standard NET Weight of Product kgs	Gross Weight of Product kgs	QTY IN PALLET	PALLET DIMENSIONS WxDxH mm	Pallet Weight kgs
LN-PLNTH-D45-LG	Plinth H 100, for concrete basement, for Safebox Cabinets when used on floor for 600x450 mm Cabinets	600x450x100	-	-	-	600	-	450	-	1	620x470x120	6,5	7	30	600x1000x1800	230
LN-PLNTH-D60-LG	Plinth H 100, for concrete basement, for Safebox Cabinets when used on floor for 600x600 mm Cabinets	600x600x100	-	-	-	600	-	600	-	1	620x620x120	7,8	8,6	30	600x1000x1800	280

19" SAFEbox IP55

Outdoor Cabinet Enclosure

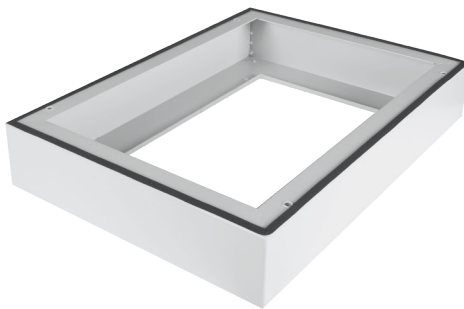
Width: 600 mm
Depth: 450/600 mm

Accessories



Ready pre-installed, plug-in and run style, with 0-60°C operating analogue thermostat switch and plugs. Each fan has an air flow capacity of 2,63-3,03cbm/min. Fan technical data: 13,8/11,8W, 220/240VAC, 50/60Hz, 0,14/0,12A, 2550/2750rpm 43-47dB-A noise level. Fan life: 50.000hours at 40°C.

FAN MODULES with ANALOGUE THERMOSTAT	Logistics Data							COMPATIBLE WITH	
								19" SAFEbox IP55 Outdoor Cabinet Enclosure	
Part Number and Product Description	Product Dimensions WxDxH mm	Pack Dimensions WxDxH mm	Product Net Weight kgs	Product Gross Weight kgs	QTY in Box pcs	Box Dimensions WxDxH mm	Box Gross Weight kgs	600x450	600x600
LN-FAN-THM-1FWMIP-LG 1 fan module thermostat switched - filtered for SAFEbox IP55 Outdoor Cabinet Enclosure	346x175x50	380x160x60	1,53	1,76	15	545x425x400	28,2	•	•
LN-FAN-THM-2FWMIP-LG 2 fan module thermostat switched - filtered for SAFEbox IP55 Outdoor Cabinet Enclosure	346x175x50	380x160x60	1,97	2,20	15	545x425x400	34,9	•	•
LN-FAN-THM-1FWMIP-LG-48 Fan Module thermostat switched, filtered for SAFEbox IP55 Outdoor Cabinet Enclosure, 48V DC	346x175x50	380x160x60	1,53	1,76	15	545x425x400	28,2	•	•
LN-FAN-THM-2FWMIP-LG-48 Fan Module thermostat switched, filtered for SAFEbox IP55 Outdoor Cabinet Enclosure, 48V DC	346x175x50	380x160x60	1,97	2,20	15	545x425x400	34,9	•	•



100 mm height, to integrate under bottom case of cabinet, with the intend of establishing cable reserve as well to raise cabinet to a certain height from the concrete basement. Fixings are from 4 corners to concrete basement with M12 nut and screws. Screws and nuts not included in shipping configuration.

PLINTH	Logistics Data							COMPATIBLE WITH	
								19" SAFEbox IP55 Outdoor Cabinet Enclosure	
Part Number and Product Description	Product Dimensions WxDxH mm	Pack Dimensions WxDxH mm	Product Net Weight kgs	Product Gross Weight kgs	QTY in Box pcs	Box Dimensions WxDxH mm	Box Gross Weight kgs	600x450	600x600
LN-PLNTH-D45-LG Plinth H 100, for concrete basement, for Safebox Cabinets when used on floor for 600x450 mm cabinets	600x450x100	620x470x120	6,5	7	-	-	-	•	-
LN-PLNTH-D60-LG Plinth H 100, for concrete basement, for Safebox Cabinets when used on floor for 600x600 mm cabinets	600x600x100	620x620x120	7,8	8,6	-	-	-	-	•

19" SAFEbox IP55 Cabinet Enclosure

OUTDOOR **Double Skin**



19" SAFEbox IP55

Outdoor Double Skin Cabinet Enclosure

W=600 mm SAFEbox IP55 Double Skin Outdoor Cabinet Enclosure

SAFEbox IP55 Outdoor Double Skin Cabinets are designed for industrial applications where harsh environmental climate once ambient temperature is a problem for the sensitive internal components. With 10 mm insulation material infill with low thermal conductivity W/m-K to avoid UV impact coming from sun radiation. Due to the cabinet design with inner and outer skin created in cabinet construction, drilling inner skin for non 19" rack mount devices is not a problem since drilling inner skin with max 10 mm long self drilling screws will not damage the IP rating of the enclosure. Based on EN60529 provided IP55 protection class against dust and water ingress. Where the enclosure provides IP55 protection against dust and water, with fan and filter integration performs IP54.

Application areas are open areas under effects of environment, with protection of the equipment inside the enclosure against ingress of solid foreign objects (falling dirt and windblown dust), and to provide a degree of protection with respect to harmful effects on the equipment due to the ingress of water (rain, sleet, snow, splashing water).

Totally gasketed doors, IP55 performing swing handle locking with 3 point locking system, isolated cable entries provides best performance for water and dust ingress.

t=1,5 mm thickness material monoblock welded construction, with epoxy polyester type powder coating which is RAL 7035 Light Grey color, provides the corrosion resistance.

The product range Safeboxes are in the sales channels from 2014. The product has superior performance against corrosion. Which as per ASTM B117 / ISO 9227 standard has been tested with 1000+ hours of salt spray resistance. Lande has taken an initiative in 2025 to improve corrosion resistance performance. As part of this enhancement, the material used has been upgraded to a composition steel made of chemical composition including zinc, aluminium, and magnesium.

Ventilation via filtered inlets and exhaust of hot air is provided as standard for passive ventilation, options to include fans for active ventilation.



19" SAFEbox IP55

Width: 600 mm
Depth: 450/600 mm

Outdoor Double Skin Cabinet Enclosure

Load Capacity: 100 kgs.

**U Height: 7U, 9U, 12U, 16U,
20U, 22U, 24U, 26U**

Standards and Compliances:



ISO 9001
Quality Management System

EN 61587-1
Mechanical Structures for
Electronic Equipment

EN IEC 297-1, 19" Mounting
EN IEC 297-2 Overall Cabinet
Dimensions

EN/IEC 60529- IP55 Ingress Protection
performance

EN/IEC 62262- IK10 Mechanical
Impact Resistance

EIA/ ECA-310 (D/E) 19" 482,6 mm and
U 44,45 mm Height Sizing



CE conform to
EN 60950-1
Information Technology
Equipment, Safety,
Part-1: General Requirement

EN IEC 62368-1 Audio/Video,
Information and Communication
Technology Equipment
Part 1: Safety requirements



UL listed to
UL 2416, Outline of Investigation for
Audio/Video, Information and
Communication Technology Equipment
Cabinet, Enclosure and Rack
Systems; UL 60950-1 and CSA
C22.2 NO. 60950-1-07, Information
Technology Equipment Safety
Part 1: General Requirements



Environment Friendly;
ISO 14001 Environmental
Management System
RoHS compliancy
%100 Recyclable Material

Standard Color:



RAL 7035 Light Grey



SAFEbox IP55 Outdoor Double Skin Cabinet Enclosures with 19" w:600 mm and d:450/600 mm sizes, in 8 different U heights, gives a wide selection chart for users.

19" SAFEbox IP55

Width: 600 mm
Depth: 450/600 mm

Outdoor Double Skin Cabinet Enclosure

Construction details:

Integrated fan filter housings creates fresh air inlet, performing IP54 protection of water and dust ingress. With the metal cap on the Fan filter housings the enclosure is protected against splashing water.

Roof canopy provides IP54 protection once 1 or 2 fan module integrated on the ABS grill housing. Openings are allowing the proper hot air removal from enclosure. ***See options of hot air removal on drawings.

Pre-punched inner skin panels, allows non-rack mount devices such as DIN Rails, DIN Rail assembly devices, AC/DC Converters, heaters, moulded case circuit breakers, electrical hardware, door contact switches etc assembly is not anymore a problem, since even factory environment or at site, these type of assemblies can be made.

Front door opening angle is up to 140 degrees. Front door has an infused sealing gasket structure which provides excellent IP protection even cold/hot weather condition.

Keyed swing lock handle with 3 point locking system provides security and anti-vandal structure, also maintaining the IP55 protection.

IP55 conforming cable entry points, multiple access with 2xPG21, 1xPG48 integrated cable entry pats, 2 pcs 28 mm diameter PVC Blind cap. Which all of are as option can be replaced with PG21 cable entry pats. After insertion of the cables to the enclosure, recommended to close the openings with foam or proper isolation material. In addition all Safebox cabinets are delivered with a plain metal cable entry panel means if shipping configuration cable entry pats are not enough or proper for your project any punching can be done on the loose supplied spare cable entry plain panel.

The front door is grounded to the main body with yellow/green 4,0 mm diameter copper wire.

Front door has the strengthening bar welded inside part of the front door, 2 pcs U Shaped.

19" rails of Lande SAFEbox IP55 Series cabinet has automated silk-screen U numbering, from top to bottom or bottom to top. To save time when installing equipment. 19" rails are 4 fold bending for strength 1,5 mm thickness provides the high load capacities. The 19" rails are made of steel with 8-12 micron zinc plating for corrosion resistance. 19" rails are adjustable in depth. Cabinets are delivered with 1set: 2pcs 19" front rails.

The front door infused sealing gasket sits on the flange bends of main cabinet construction maintaining the IP rating.

Included 4 pcs, t:3,0 mm thickness wall fixing brackets with proper washer and screws.

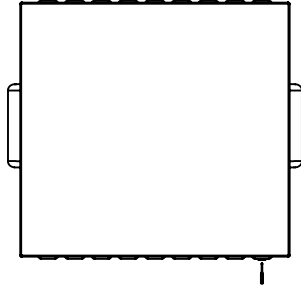


19" SAFEbox IP55

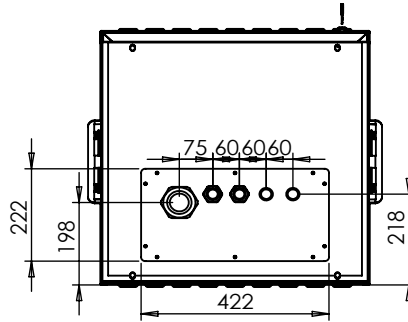
Width: 600 mm
Depth: 450/600 mm

Outdoor Double Skin Cabinet Enclosure

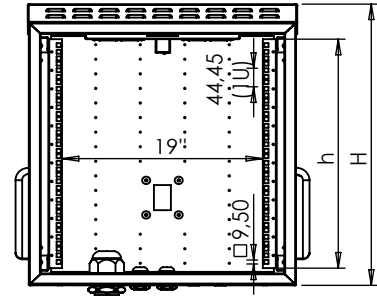
Construction Drawings



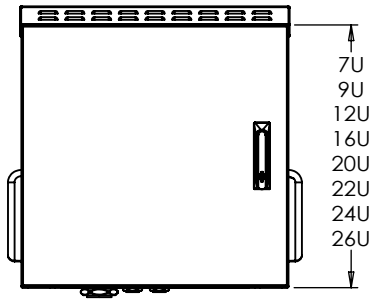
Top view



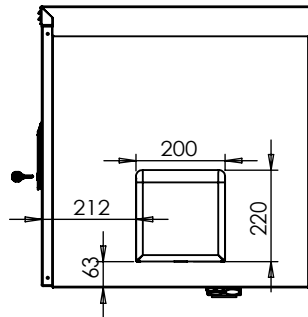
Bottom view



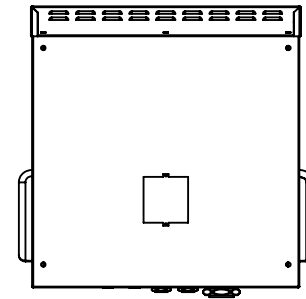
Front inside view



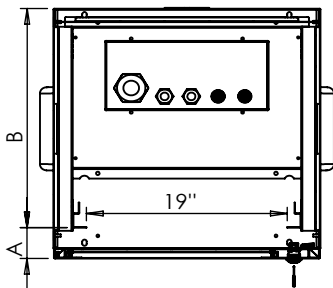
Front view



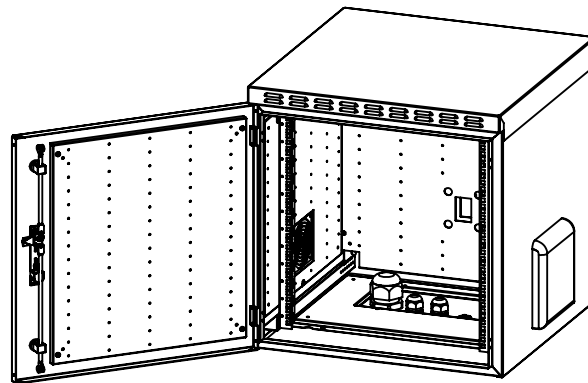
Side view



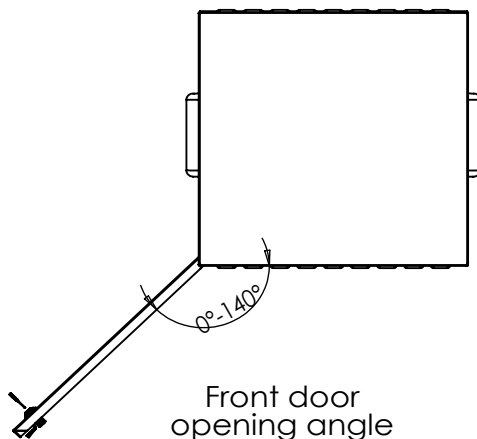
Rear view



Top inside view



3 point locking system



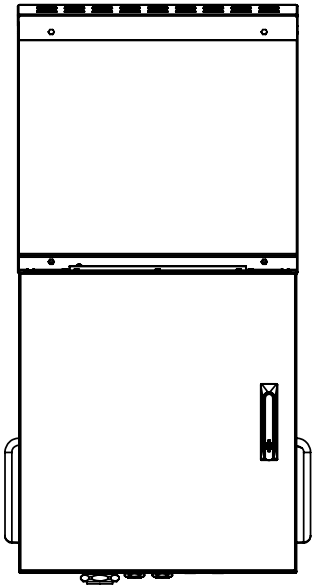
Front door opening angle

19" SAFEbox IP55

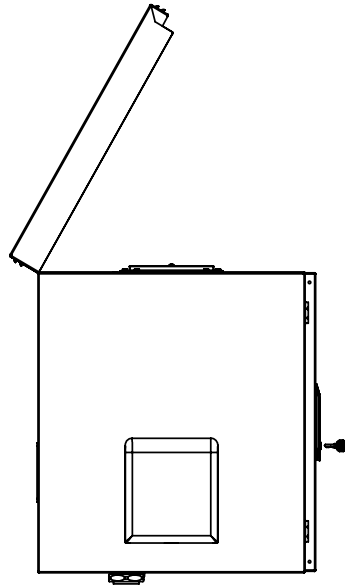
Width: 600 mm
Depth: 450/600 mm

Outdoor Double Skin Cabinet Enclosure

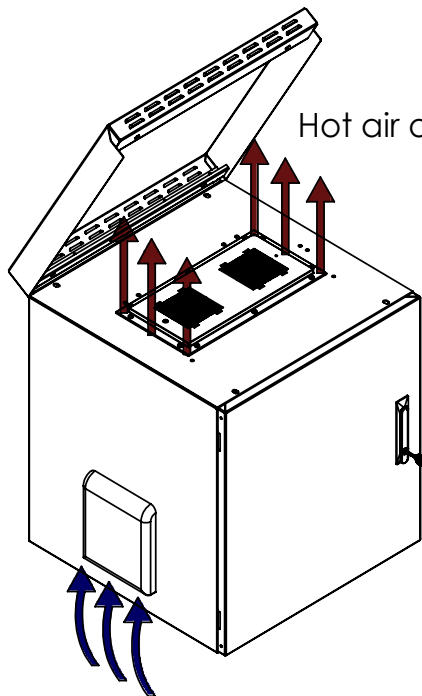
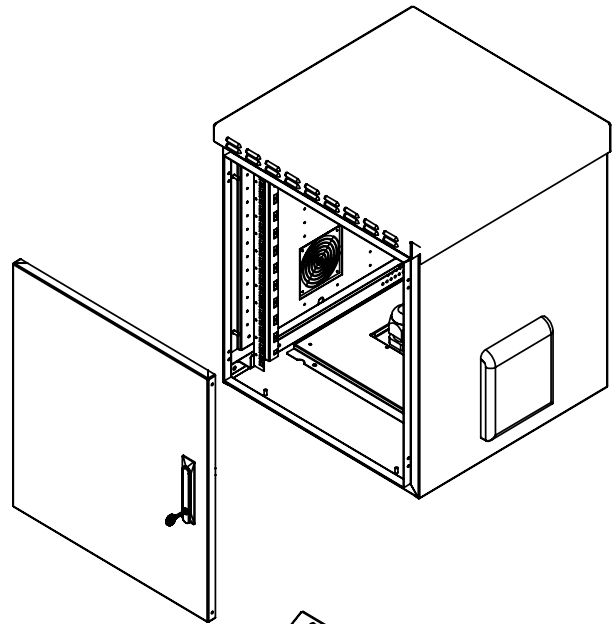
Construction Drawings



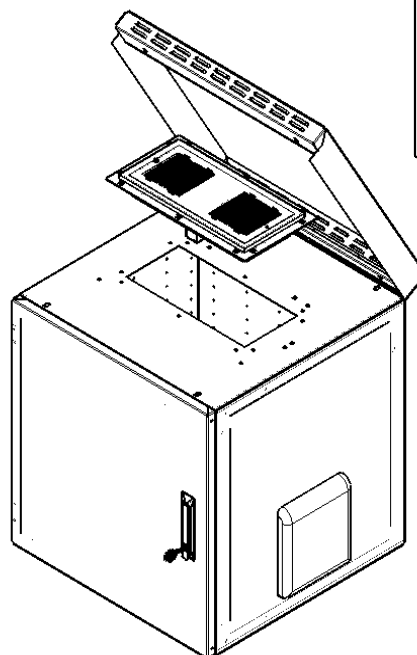
Top cover opening view



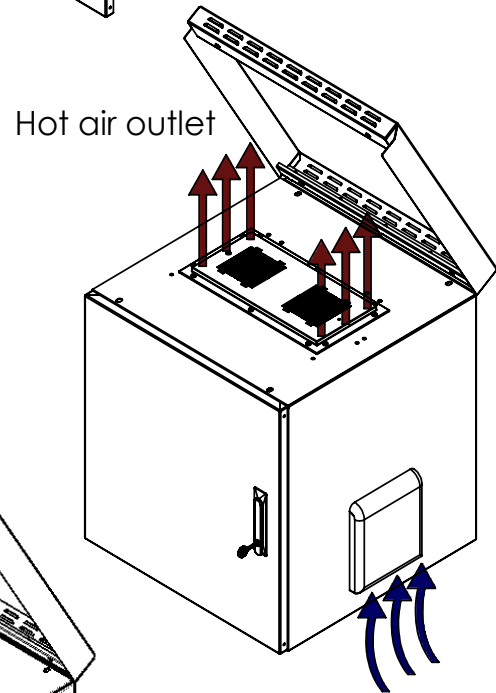
Top cover opening view side



Cool air inlet



Air removal



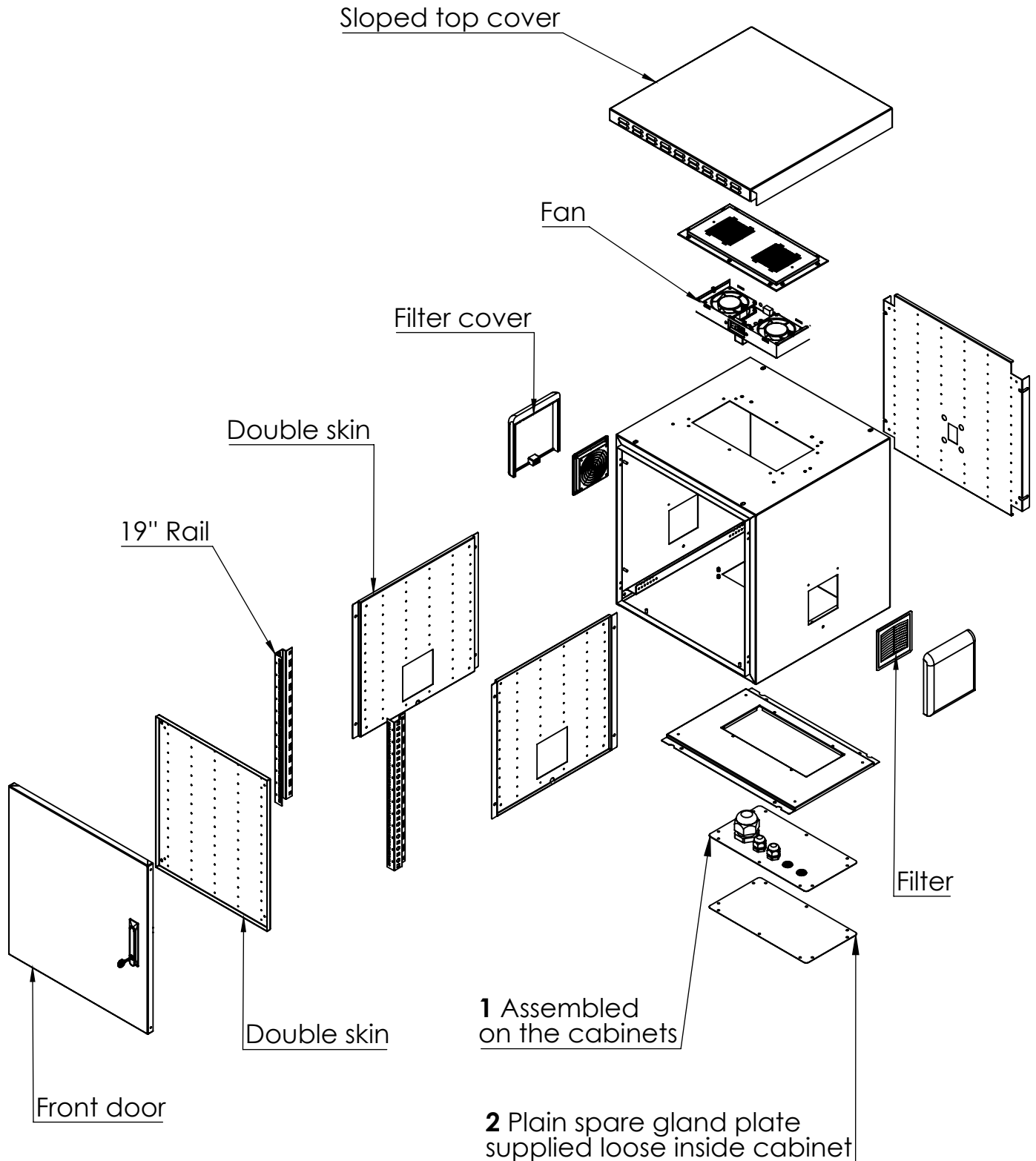
Cool air inlet

19" SAFEbox IP55

Width: 600 mm
Depth: 450/600 mm

Outdoor Double Skin Cabinet Enclosure

Construction Drawings

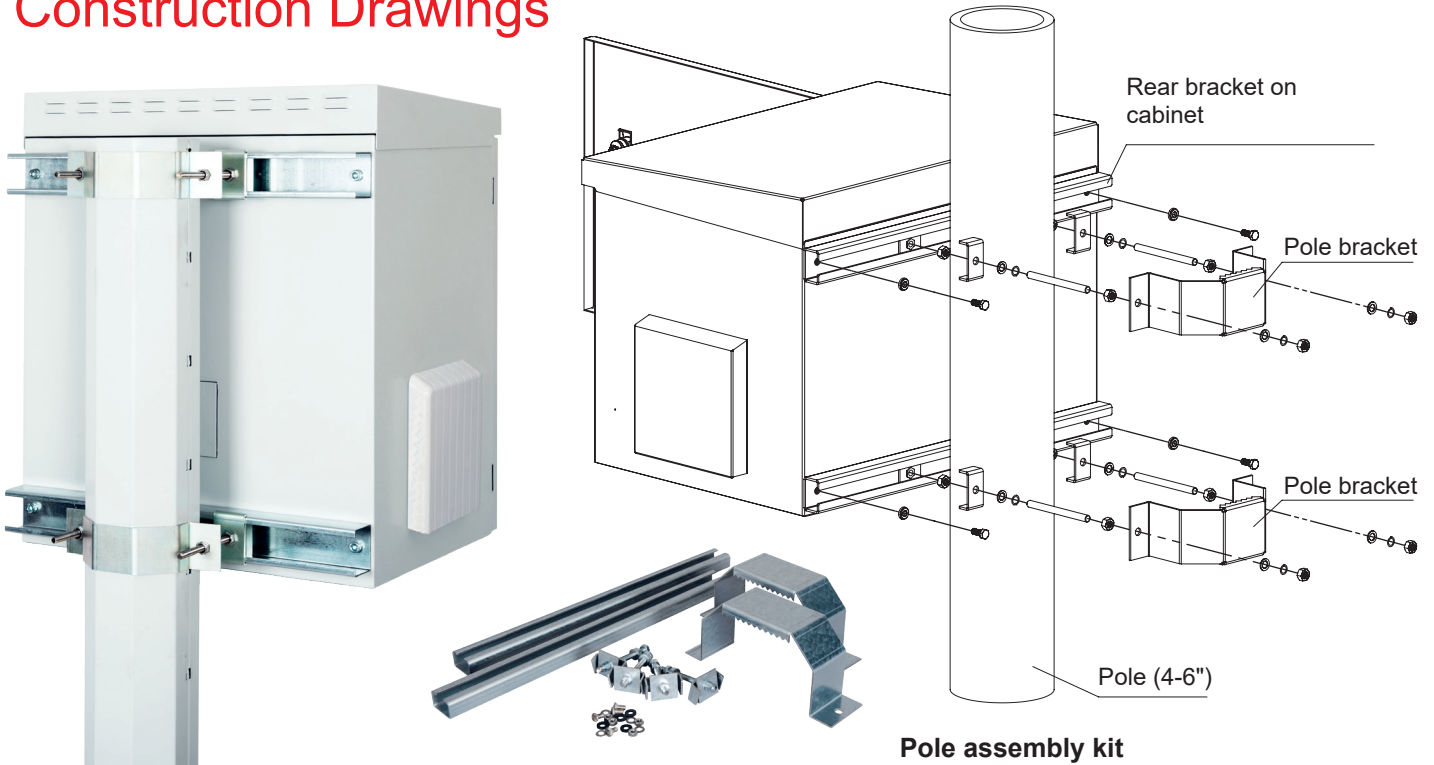


19" SAFEbox IP55

Width: 600 mm
Depth: 450/600 mm

Outdoor Double Skin Cabinet Enclosure

Construction Drawings



Pole assembly kit

19" SAFEbox Series Double Skin IP55 Outdoor Cabinets Enclosure W=600 mm D=450/600 mm

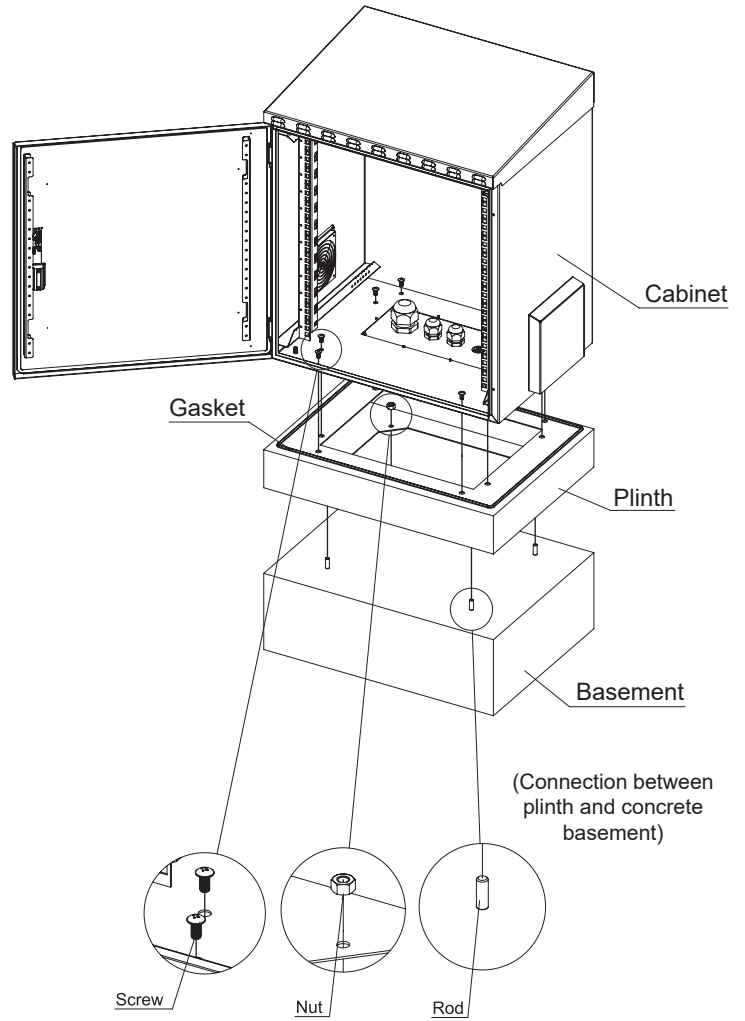
Product Number	Product Description	Size WxDxH mm	h Size in U	h in mm	H mm, overall without feet and/or castor	Width Overall mm	Width Rail to Rail	Depth Overall mm	Depth Shipping Conf. Rail to Rail mm	QTY IN PACKAGE	PACKING DIMENSIONS WxDxH mm	Standard NET Weight of Product kgs	Gross Weight of Product kgs	QTY IN PALET	PALLET DIMENSIONS WxDxH mm	Pallet Weight kgs
LN-SBD-IP5507U6045-LG	7U 19" SafeBox IP55 double skin outdoor cabinet W=600 mm D=450 mm	600x450x490	7U	311	490	600	19"	450	345	1	690x480x510	31	32	16	1300x1300x2200	532
LN-SBD-IP5509U6045-LG	9U 19" SafeBox IP55 double skin outdoor cabinet W=600 mm D=450 mm	600x450x579	9U	400	579	600	19"	450	345	1	690x480x600	33	34	16	1300x1300x2550	564
LN-SBD-IP5512U6045-LG	12U 19" SafeBox IP55 double skin outdoor cabinet W=600 mm D=450 mm	600x450x713	12U	533	713	600	19"	450	345	1	690x480x730	37	38	12	1300x1300x2350	476
LN-SBD-IP5516U6045-LG	16U 19" SafeBox IP55 double skin outdoor cabinet W=600 mm D=450 mm	600x450x891	16U	711	891	600	19"	450	345	1	690x480x910	41	43	8	1300x1300x2000	365
LN-SBD-IP5520U6045-LG	20U 19" SafeBox IP55 double skin outdoor cabinet W=600 mm D=450 mm	600x450x1068	20U	889	1068	600	19"	450	345	1	690x480x1090	63	64,5	8	1300x1300x1780	534
LN-SBD-IP5522U6045-LG	22U 19" SafeBox IP55 double skin outdoor cabinet W=600 mm D=450 mm	600x450x1157	22U	977	1157	600	19"	450	345	1	690x480x1180	68	69,5	8	1300x1300x1960	574
LN-SBD-IP5524U6045-LG	24U 19" SafeBox IP55 double skin outdoor cabinet W=600 mm D=450 mm	600x450x1245	24U	1066	1245	600	19"	450	345	1	690x480x1265	72	73,7	8	1300x1300x2140	607
LN-SBD-IP5526U6045-LG	26U 19" SafeBox IP55 double skin outdoor cabinet W=600 mm D=450 mm	600x450x1334	26U	1155	1334	600	19"	450	345	1	690x480x1355	77	78,9	8	1300x1300x2310	650
LN-SBD-IP5507U6060-LG	7U 19" SafeBox IP55 double skin outdoor cabinet W=600 mm D=600 mm	600x600x490	7U	311	490	600	19"	600	495	1	690x630x510	37	38	16	1300x1300x2200	633
LN-SBD-IP5509U6060-LG	9U 19" SafeBox IP55 double skin outdoor cabinet W=600 mm D=600 mm	600x600x579	9U	400	579	600	19"	600	495	1	690x630x600	40	41	16	1300x1300x2550	681
LN-SBD-IP5512U6060-LG	12U 19" SafeBox IP55 double skin outdoor cabinet W=600 mm D=600 mm	600x600x713	12U	533	713	600	19"	600	495	1	690x630x730	43	45	12	1300x1300x2350	565
LN-SBD-IP5516U6060-LG	16U 19" SafeBox IP55 double skin outdoor cabinet W=600 mm D=600 mm	600x600x891	16U	711	891	600	19"	600	495	1	690x630x910	49	51	8	1300x1300x2000	433
LN-SBD-IP5520U6060-LG	20U 19" SafeBox IP55 double skin outdoor cabinet W=600 mm D=600 mm	600x600x1068	20U	889	1068	600	19"	600	495	1	690x630x1090	79	80,8	8	1300x1300x1780	664
LN-SBD-IP5522U6060-LG	22U 19" SafeBox IP55 double skin outdoor cabinet W=600 mm D=600 mm	600x600x1157	22U	977	1157	600	19"	600	495	1	690x630x1180	82	83,8	8	1300x1300x1960	688
LN-SBD-IP5524U6060-LG	24U 19" SafeBox IP55 double skin outdoor cabinet W=600 mm D=600 mm	600x600x1245	24U	1066	1245	600	19"	600	495	1	690x630x1265	85	86,8	8	1300x1300x2140	712
LN-SBD-IP5526U6060-LG	26U 19" SafeBox IP55 double skin outdoor cabinet W=600 mm D=600 mm	600x600x1334	26U	1155	1334	600	19"	600	495	1	690x630x1355	88	90	8	1300x1300x2310	738
LN-SBO-PL-KIT-ZN	Pole assembly kit, for 4-6" pole diameter, zinc plated	Box 1 profile	70x35x600	-	-	-	-	-	-	1	72x37x602	3,3	3,32	-	-	-
		Box 2 brackets	145x85x380	-	-	-	-	-	-	-	1	147x87x382	2,7	2,72	-	-
LN-PLNTH-D45-LG	Plinth H 100, for concrete basement, for Safebox Cabinets when used on floor for 600x450 mm cabinets	600x450x100	-	-	-	600	-	450	-	1	620x470x120	6,5	7	30	600x1000x1800	230
LN-PLNTH-D60-LG	Plinth H 100, for concrete basement, for Safebox Cabinets when used on floor for 600x600 mm cabinets	600x600x100	-	-	-	600	-	600	-	1	620x620x120	7,8	8,6	30	600x1000x1800	280

*** To increase corrosion resistance performance- started in 2025- as an enhancement- used material is upgraded to **Magnelis®** Which is a composition steel made of chemical composition including zinc, aluminium, and magnesium.

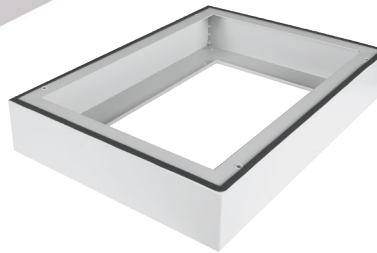
19" SAFEbox IP55

Width: 600 mm
Depth: 450/600 mm

Outdoor Double Skin Cabinet Enclosure
Free Standing Usage



With plinth integration all SAFEbox cabinets can be configured as for concrete basement assembly.



100 mm height, to integrate under bottom case of cabinet, with the intend of establishing cable reserve as well to raise cabinet to a certain height from the concrete basement. Fixings are from 4 corners to concrete basement with M12 nut and screws. Screws and nuts not included in shipping configuration.

Plinths

SAFEbox Series IP55 Single / Double Skin Outdoor Plinth for Concrete Assembly

Product Number	Product Description	Size WxDxH mm	h Size in U	h in mm	H mm, overall without feet and/or castor	Width Overall mm	Width Rail to Rail	Depth Overall mm	Depth Shipping Conf. Rail to Rail mm	QTY IN PACKAGE	PACKING DIMENSIONS WxDxH mm	Standard NET Weight of Product kgs	Gross Weight of Product kgs	QTY IN PALLET	PALLET DIMENSIONS WxDxH mm	Pallet Weight kgs
LN-PLNTH-D45-LG	Plinth H 100, for concrete basement, for Safebox Cabinets when used on floor for 600x450 mm Cabinets	600x450x100	-	-	-	600	-	600	-	1	620x470x120	4,5	5,6	-	-	-
LN-PLNTH-D60-LG	Plinth H 100, for concrete basement, for Safebox Cabinets when used on floor for 600x600 mm Cabinets	600x600x100	-	-	-	600	-	600	-	1	620x620x120	5,2	6,3	-	-	-

19" SAFEbox IP55

Outdoor Double Skin Cabinet Enclosure

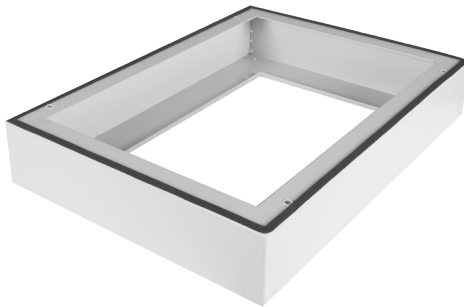
Width: 600 mm
Depth: 450/600 mm

Accessories



Ready pre-installed, plug-in and run style, with 0-60°C operating analogue thermostat switch and plugs. Each fan has an air flow capacity of 2,63-3,03cbm/min. Fan technical data: 13,8/11,8W, 220/240VAC, 50/60Hz, 0,14/0,12A, 2550/2750rpm 43-47dB-A noise level. Fan life: 50.000hours at 40°C.

FAN MODULES with ANALOGUE THERMOSTAT	Logistics Data							COMPATIBLE WITH	
								19" SAFEbox IP55 Outdoor Double Skin Cabinet Enclosure	
Part Number and Product Description	Product Dimensions WxDxH mm	Pack Dimensions WxDxH mm	Product Net Weight kgs	Product Gross Weight kgs	QTY in Box pcs	Box Dimensions WxDxH mm	Box Gross Weight kgs	600x450	600x600
LN-FAN-THM-1FWMIP-LG 1 fan module thermostat switched - filtered for SAFEbox IP55 Outdoor Double Skin Cabinet Enclosure	346x175x50	380x160x60	1,53	1,76	15	545x425x400	28,2	•	•
LN-FAN-THM-2FWMIP-LG 2 Fan Module thermostat switched - filtered for SAFEbox IP55 Outdoor Double Skin Cabinet Enclosure	346x175x50	380x160x60	1,97	2,20	15	545x425x400	34,9	•	•
LN-FAN-THM-1FWMIP-LG-48 Fan Module thermostat switched, filtered for SAFEbox IP55 Outdoor Double Skin Cabinet Enclosure, 48V DC	346x175x50	380x160x60	1,53	1,76	15	545x425x400	28,2	•	•
LN-FAN-THM-2FWMIP-LG-48 Fan Module thermostat switched, filtered for SAFEbox IP55 Outdoor Double Skin Cabinet Enclosure, 48V DC	346x175x50	380x160x60	1,97	2,20	15	545x425x400	34,9	•	•

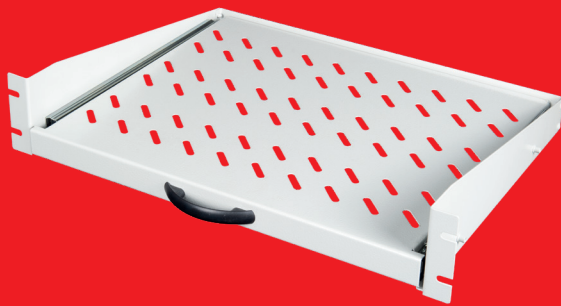


100 mm height, to integrate under bottom case of cabinet, with the intend of establishing cable reserve as well to raise cabinet to a certain height from the concrete basement. Fixings are from 4 corners to concrete basement with M12 nut and screws. Screws and nuts not included in shipping configuration.

PLINTH	Logistics Data							COMPATIBLE WITH	
								19" SAFEbox IP55 Outdoor Double Skin Cabinet Enclosure	
Part Number and Product Description	Product Dimensions WxDxH mm	Pack Dimensions WxDxH mm	Product Net Weight kgs	Product Gross Weight kgs	QTY in Box pcs	Box Dimensions WxDxH mm	Box Gross Weight kgs	600x450	600x600
LN-PLNTH-D45-LG Plinth H 100, for concrete basement, for Safebox Cabinets when used on floor for 600x450 mm cabinets	600x450x100	620x470x120	6,5	7	-	-	-	•	-
LN-PLNTH-D60-LG Plinth H 100, for concrete basement, for Safebox Cabinets when used on floor for 600x600 mm cabinets	600x600x100	620x620x120	7,8	8,6	-	-	-	-	•

19" SAFEbox IP55 Cabinet Enclosure

ACCESSORIES



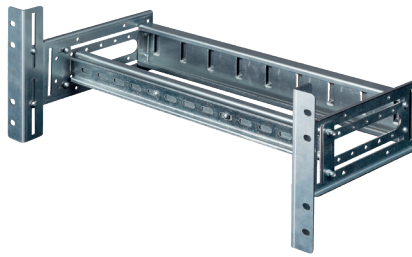
19" SAFEbox IP55

Indoor - Outdoor Cabinet Enclosure

4U / 2U Adjustable Stepless DIN Rail



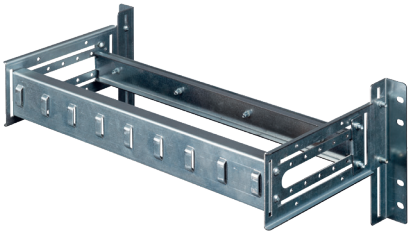
4U Mounting 19" ears, DIN rail set to back, 19" rails adjusted to top elevation.



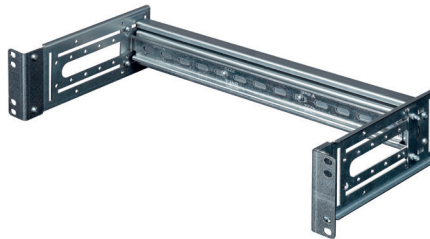
4U Mounting 19" ears, DIN rail set to front, 19" rails adjusted to middle elevation.



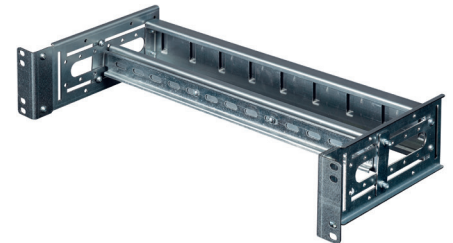
4U Mounting 19" ears, DIN rail set to middle position, 19" rails adjusted to top elevation.



Rear view with cable management tire up location



2U Mounting 19" ears, DIN rail set to back



2U mounting 19" ears, DIN rail set to center



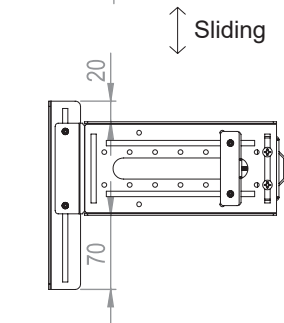
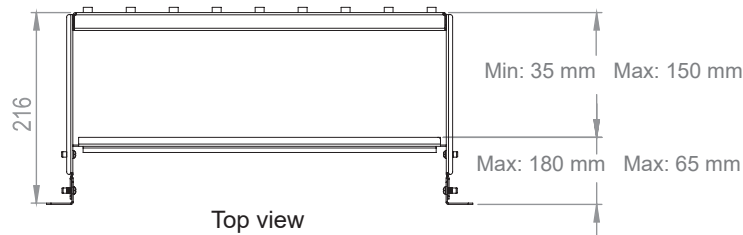
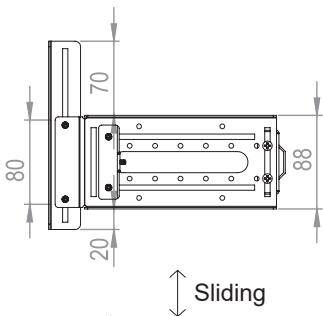
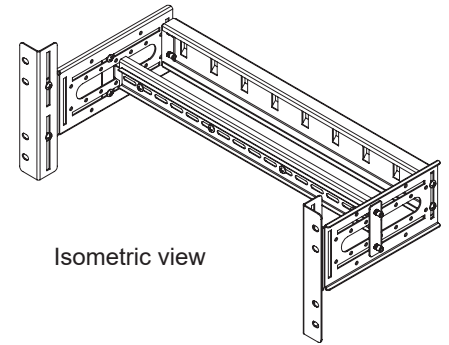
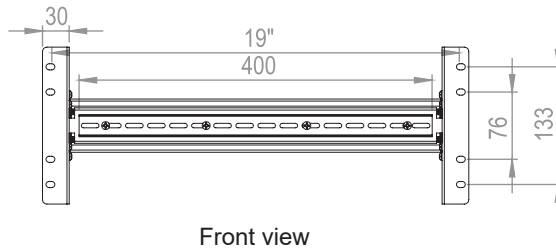
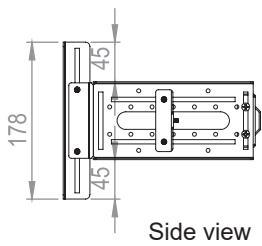
4U DIN rail depth/height adjustable, 4U and 2U 19" connection bars included, t=1,5 mm zinc plated steel, with rear cable management tire, up panel structure. In standard delivered with both 2U and 4U connection bars. If different height devices installed, with help of 4U brackets, you can align the different height of equipments on the DIN rail.

4U 19" DIN RAIL MODULE	Logistics Data							COMPATIBLE WITH	
	Product Dimensions WxDxH mm	Pack Dimensions WxDxH mm	Product Net Weight kgs	Product Gross Weight kgs	QTY in Box pcs	Box Dimensions WxDxH mm	Box Gross Weight kgs	19" SAFEbox Indoor-Outdoor Cabinet Enclosure	
LN-DIN-MOD-4U19-ZN 4U 19" DIN rail module, adjustable in depth and height. 4U / 2U convertible	438x220x88	465x220x102	1,6	1,8	12	595x510x530	21,6	600x450	600x600

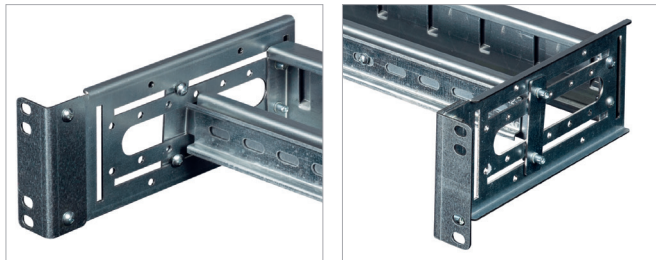
19" SAFEbox IP55

Indoor - Outdoor Cabinet Enclosure

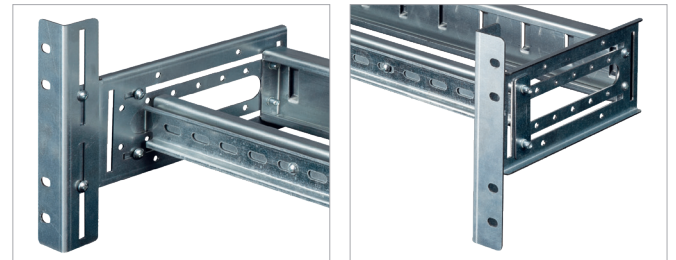
4U / 2U Adjustable Stepless DIN Rail



DIN Rail depth adjustment stepless



DIN Rail height adjustment stepless



4U DIN rail depth/height adjustable, 4U and 2U 19" connection bars included, t=1,5 mm zinc plated steel, with rear cable management tire, up panel structure. In standard delivered with both 2U and 4U connection bars. If different height devices installed, with help of 4U brackets, you can align the different height of equipments on the DIN rail.

4U 19" DIN RAIL MODULE	Logistics Data							COMPATIBLE WITH	
								19" SAFEbox Indoor-Outdoor Cabinet Enclosure	
Part Number and Product Description	Product Dimensions WxDxH mm	Pack Dimensions WxDxH mm	Product Net Weight kgs	Product Gross Weight kgs	QTY in Box pcs	Box Dimensions WxDxH mm	Box Gross Weight kgs	600x450	600x600
LN-DIN-MOD-4U19-ZN 4U 19" DIN rail module, adjustable in depth and height. 4U / 2U convertible	438x220x88	465x220x102	1,6	1,8	12	595x510x530	21,6	•	•

19" SAFEbox IP55

Indoor - Outdoor Cabinet Enclosure

DIN Rails

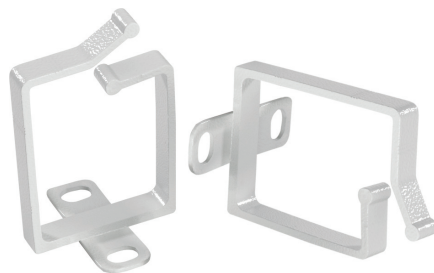


Basic DIN rail, 50 cm long, including special self drilling screw set, can be installed on all inner panels of double skin enclosure and make installation of non rack-mount devices, such as AC-DC converters heaters. Moulded circuit breakers, electrical hardware etc. 1U panel mounted basic and 1U panel mounted with bends offset to back are options.

1U DIN RAIL MODULE	Logistics Data							COMPATIBLE WITH	
								19" SAFEbox Indoor-Outdoor Cabinet Enclosure	
Part Number and Product Description	Product Dimensions WxDxH mm	Pack Dimensions WxDxH mm	Product Net Weight kgs	Product Gross Weight kgs	QTY in Box pcs	Box Dimensions WxDxH mm	Box Gross Weight kgs	600x450	600x600
LN-WOT-DIN DIN rail with 50 cm length galvanised including screw set	305x6x35	-	0,16	0,18	-	-	-	•	•
LN-PNL-DIN-1U19-B-CC 1U 19" DIN rail module- basic version on 1U panel and galvanised steel DIN rail	482x20x44	503x25x55	0,3	0,4	100	595x510x530	40	•	•
LN-PNL-DIN-1U19-E-CC 1U 19" DIN rail module- bended offset version on 1U panel and galvanised steel DIN rail	482x70x44	510x155x55	0,4	0,5	50	595x510x532	25	•	•

* CC= Color Code, LG Light Grey RAL 7035, BL Black RAL 9005, customers to define while ordering.

Cable Management Rings



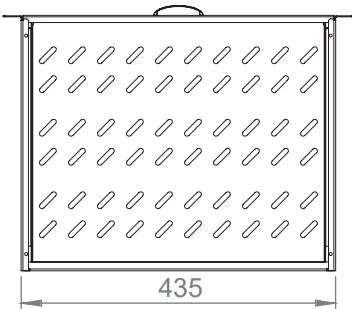
Horizontal cable management rings are for the cable management inside the cabinet, for use of carrying the cables into the final connection point. 44x30 mm 1set: 5pcs rings set including self drilling screw set-can be installed inner skin surface of cabinet enclosure. RAL 7035 Light Grey color.

CABLE MANAGEMENT RINGS	Logistics Data							COMPATIBLE WITH	
								19" SAFEbox Indoor-Outdoor Cabinet Enclosure	
Part Number and Product Description	Product Dimensions WxDxH mm	Pack Dimensions WxDxH mm	Product Net Weight kgs	Product Gross Weight kgs	QTY in Box pcs	Box Dimensions WxDxH mm	Box Gross Weight kgs	600x450	600x600
LN-KDG-KKM-4430-LG Cable management ring set for cable management including self drilling screws, metal 44x30 mm 1 set= 5 pcs	45x30x45	80x80x100	0,027	0,2	100	310x505x530	20	•	•

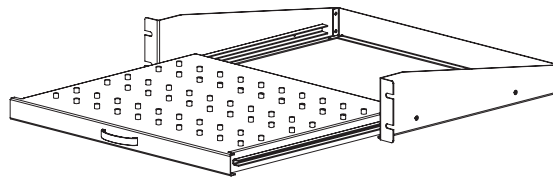
19" SAFEbox IP55

Indoor - Outdoor Cabinet Enclosure

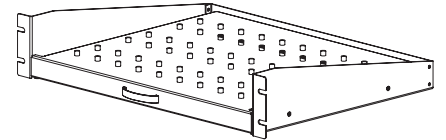
2U Rack Mount Sliding Shelf



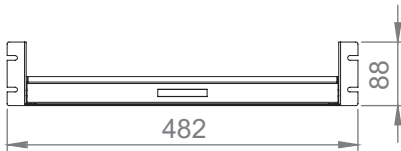
Bottom view



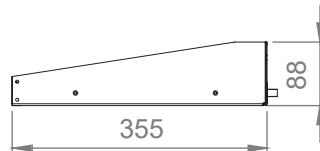
Isometric view



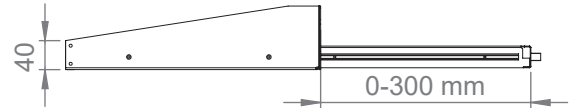
Isometric view



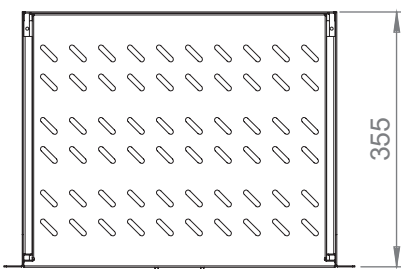
Front view



Side view



Slide out
Min. and max.



Top view

2U rack mount 0-350 mm sliding shelf. Just 2 point front fixing, designed specially for front access enclosures cabinets to allow sliding the components housed inside while cabinet has only front door access. Max load 15 kgs. Steel material, painted with RAL 7035 Light Grey color.

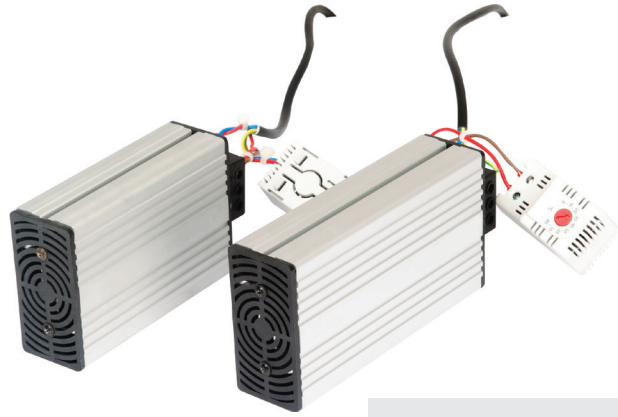
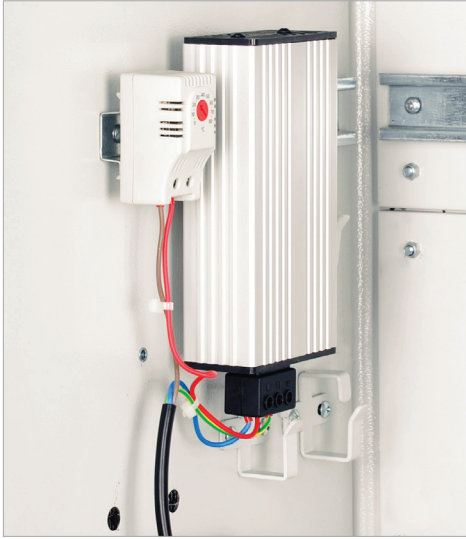
2U SLIDING SHELF For front access cabinets enclosures	Logistics Data							COMPATIBLE WITH	
								19" SAFEbox Indoor-Outdoor Cabinet Enclosure	
Part Number and Product Description	Product Dimensions WxDxH mm	Pack Dimensions WxDxH mm	Product Net Weight kgs	Product Gross Weight kgs	QTY in Box pcs	Box Dimensions WxDxH mm	Box Gross Weight kgs	600x450	600x600
LN-RAF-HRK-D400-CC Lande 2U rack mountable, 1U sliding mechanism, sliding shelf for D450 and 600 mm for frontal access enclosures max load capacity 15 kgs.	482x355x88	520x380x95	3,04	3,5	7	595x510x530	24,5	•	•

* CC= Color Code, LG Light Grey RAL 7035, BL Black RAL 9005, customers to define while ordering.

19" SAFEbox IP55

Indoor - Outdoor Cabinet Enclosure

Heaters



50/60Hz, 220V, 35 mm DIN Rail type heater, from 30watts to 150watts heating capacity, aluminum heater body, winter thermostat integrated, power cable, 1,5-2,5 mm² connection terminal entry. Lande offers higher capacity of heaters for different capacity needs with/without fan blowers up to 800watts.

FIELD ENCLOSURE SECURITY HEATERS	Logistics Data								COMPATIBLE WITH	
	Product Dimensions WxDxH mm	Pack Dimensions WxDxH mm	Product Net Weight kgs	Product Gross Weight kgs	QTY in Box pcs	Box Dimensions WxDxH mm	Box Gross Weight kgs	19" SAFEbox Indoor-Outdoor Cabinet Enclosure		
Part Number and Product Description								600x450	600x600	
LN-30W 50/60 Hz, 220V, 35 mm DIN Rail type heater, 30W heating capacity, aluminum heater body, winter thermostat integrated, power cable, 1,5-2,5 mm ² connection terminal entry 85°C body heat, H75 mm	110x80x50	385x225x90	0,3	0,5	15	595x510x531	7,5	•	•	
LN-50W 50/60 Hz, 220V, 35 mm DIN Rail type heater, 50W heating capacity, aluminum heater body, winter thermostat integrated, power cable, 1,5-2,5 mm ² connection terminal entry 85C body heat, H85 mm	110x80x50	385x225x90	0,3	0,5	15	595x510x530	7,5	•	•	
LN-75W 50/60 Hz, 220V, 35 mm DIN Rail type heater, 75W heating capacity, aluminum heater body, winter thermostat integrated, power cable, 1,5-2,5 mm ² connection terminal entry 125°C Body Heat, H105 mm	160x80x50	385x225x90	0,6	0,8	15	595x510x530	12	•	•	
LN-100W 50/60 Hz, 220V, 35 mm DIN Rail type heater, 100W heating capacity, aluminum heater body, winter thermostat integrated, power cable, 1,5-2,5 mm ² connection terminal entry 125°C body heat, H120 mm	160x80x50	385x225x90	0,6	0,8	15	595x510x530	12	•	•	
LN-125W 50/60 Hz, 220V, 35 mm DIN Rail type heater, 125W heating capacity, aluminum heater body, winter thermostat integrated, power cable, 1,5-2,5 mm ² connection terminal entry 125° C body heat, H150 mm	260x80x50	385x225x90	0,7	0,9	15	595x510x530	13,5	•	•	
LN-150W 50/60 Hz, 220V, 35 mm DIN Rail type heater, 150W heating capacity, aluminum heater body, winter thermostat integrated, power cable, 1,5-2,5 mm ² connection terminal entry 125° C body heat, H190 mm	260x80x50	385x225x90	0,7	0,9	15	595x510x530	13,5	•	•	

19" SAFEbox IP55

Indoor - Outdoor Cabinet Enclosure

Hygrostats



Heater units are delivered winter thermostat integrated in standard. But, hygrostat is also advised for SAFEbox cabinets enclosures application that has condensation risk. You can select hygrostat+thermostat in order to control/minimize condensation risk and control heating, at the same time activate fan system.

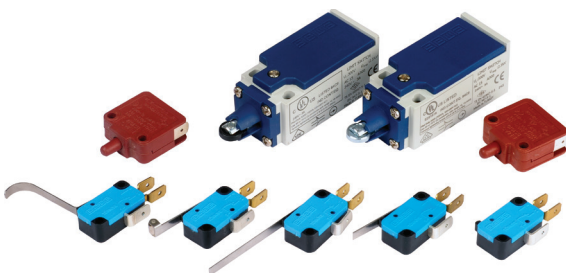
HYGROSTAT	Logistics Data							COMPATIBLE WITH	
								19" SAFEbox Indoor-Outdoor Cabinet Enclosure	
Part Number and Product Description	Product Dimensions WxDxH mm	Pack Dimensions WxDxH mm	Product Net Weight kgs	Product Gross Weight kgs	QTY in Box pcs	Box Dimensions WxDxH mm	Box Gross Weight kgs	600x450	600x600
LN-HGT Lande mechanic analogue hysteresis 4% RH (± 3% tolerance) %40-90 Rh, 2,5 mm ² clemence terminal, 35mm DIN rail type	57x52x105	61x58x114	0,16	0,17	200	595x510x530		•	•
LN-HGT-THM Lande mechanic analogue hysteresis 4% RH (± 3% tolerance) %40-90 Rh + thermostat 0-60°C, 2,5mm ² clemence terminal, 35 mm DIN rail type	57x52x105	61x58x114	0,18	0,19	200	595x510x530	38	•	•



The module will activate cooling/ventilation system devices such as fans. Air Conditioners or heat exchangers incase of temperature is exceeded the threshold value inside rack. Incase temperature is lower than threshold value than module will activate the heating devices. Also incase humidity is more than threshold value than again heating devices will be activated by the module DIN Rail type.

THERMOSTAT MODULE	Logistics Data							COMPATIBLE WITH	
								19" SAFEbox Indoor-Outdoor Cabinet Enclosure	
Part Number and Product Description	Product Dimensions WxDxH mm	Pack Dimensions WxDxH mm	Product Net Weight kgs	Product Gross Weight kgs	QTY in Box pcs	Box Dimensions WxDxH mm	Box Gross Weight kgs	600x450	600x600
LN-THM-SS Intelligent digital thermostat module including humidity and temperature sensor. (DIN Rail type)	70x45x115	135x135x70	0,12	0,21	150	300x500x515	31,5	•	•

Door Switches



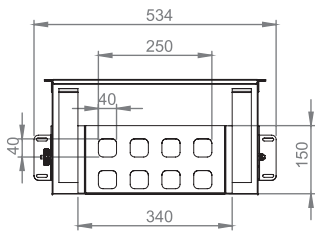
SAFEbox Cabinet Enclosure Door Switches

Various door switches are available for meeting your function requirements based on usage purposes. Please specify the switch type and quantity with your sales representative.

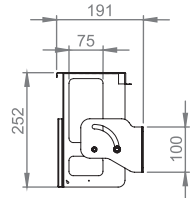
19" SAFEbox IP55

Indoor - Outdoor Cabinet Enclosure

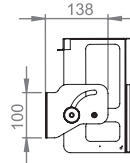
3U Swing Out Frame



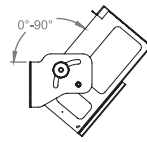
Front view



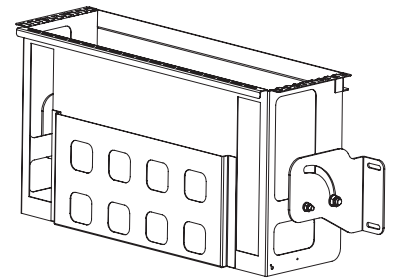
Right side view



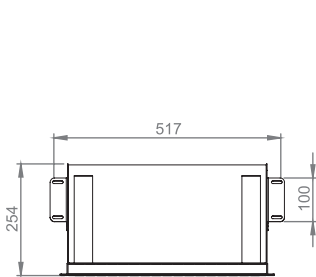
Left side view



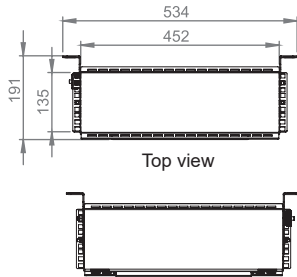
Opening angle



Isometric view



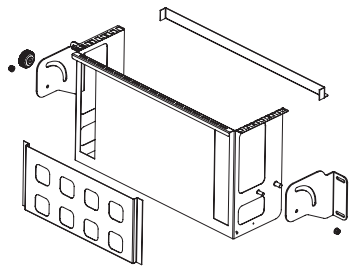
Rear view



Top view



Bottom view



Exploded view

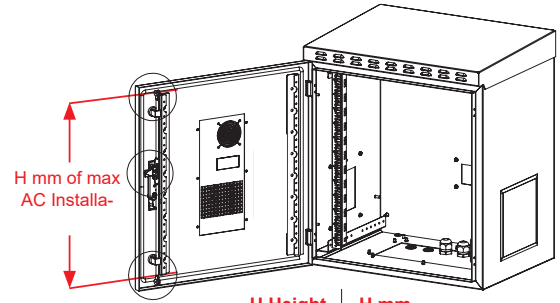
3U 19" swing out frame, RAL 7035 color can be installed by Lande in factory environment to single skin enclosures, however by installer can be installed on rear skin of double skin enclosure on site. Cancels the usage of standard 19" rails available inside cabinet. 19" rails to be removed from cabinet since swinging function can not work together with existing 19" rails. The 3U 19" swingbox has A4 size document pocket to keep your project design files and user manuals inside cabinet.

3U SWING OUT FRAME	Logistics Data							COMPATIBLE WITH	
	Product Dimensions WxDxH mm	Pack Dimensions WxDxH mm	Product Net Weight kgs	Product Gross Weight kgs	QTY in Box pcs	Box Dimensions WxDxH mm	Box Gross Weight kgs	19" SAFEbox Indoor-Outdoor Cabinet Enclosure	
LN-SWG-3U19-LG 3U 19" swing out frame Depth: 252 mm RAL 7035 light grey	535x280x165	-	2,6	2,5	-	-	-	600x450	600x600

19" SAFEbox IP55

Indoor - Outdoor Cabinet Enclosure

Accessories



U Height	H mm
7U	344 mm
9U	433 mm
12U	566 mm
16U	744 mm
20U	922 mm
22U	1010 mm
24U	1099 mm
26U	1188 mm

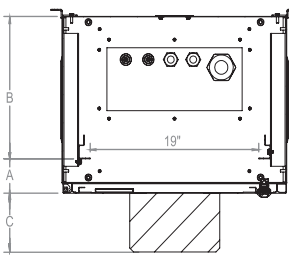


	A		B	
	Min	Max	Min	Max
D=450	60 mm	185 mm	260 mm	385 mm
D=600	60 mm	335 mm	260 mm	535 mm

	A		B	
	Min	Max	Min	Max
D=450	60 mm	185 mm	260 mm	385 mm
D=600	60 mm	335 mm	260 mm	535 mm

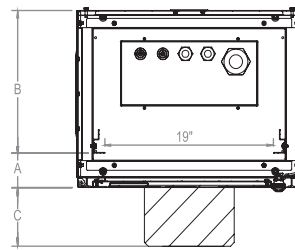
	A		B	
	Min	Max	Min	Max
D=450	45 mm	170 mm	250 mm	375 mm
D=600	45 mm	320 mm	250 mm	525 mm

SBI Air Conditioned



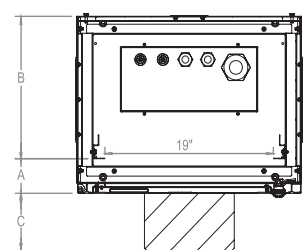
Top inside view

SBO Air Conditioned



Top inside view

SBD Air Conditioned



Top inside view

LANDE Air Conditioner & Heat Exchanger Technical Specifications

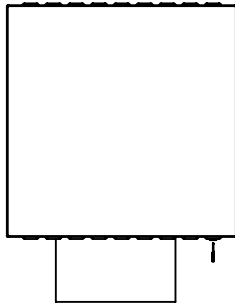
Product Name	Cooling Capacity	Lande Code	Industrial	Width	Height	Depth	Product Compatibility	*Compatibility to the Side of the Cabinet h(air)
DC Air Conditioner 48VDC	300W	LN-ZB-003-000-010	EM-450-1	240	400	150	from 9U to 26U	from 12U to 26U
	500W	LN-ZB-005-000-021	EM-450-4	352	583	175	from 16U to 26U	from 16U to 26U
	600W	LN-ZB-006-000-020	EM-450-5	352	583	175	from 16U to 26U	from 16U to 26U
	800W	LN-ZB-008-000-022	EM-450-6	352	583	175	from 16U to 26U	from 16U to 26U
	1000W	LN-ZB-010-000-030	EM-450-7	432	844	175	from 20U to 26U	from 20U to 26U
	1500W	LN-ZB-015-000-041	EM-450-8	470	1170	175	26U	incompatible
AC Air Conditioner 220/230 VAC	2000W	LN-ZB-020-000-040	EM-450-9	470	1170	175	26U	incompatible
	500W	LN-YB-005-000-012	EM-503-1	352	583	175	from 16U to 26U	from 16U to 26U
	600W	LN-YB-006-000-010	EM-503-2	352	583	175	from 16U to 26U	from 16U to 26U
	1000W	LN-YB-010-000-020	EM-503-3	482	782	200	from 20U to 26U	from 20U to 26U
	1500W	LN-YB-015-000-031	EM-503-4	482	782	200	from 20U to 26U	from 20U to 26U
Heat Exchanger 48VDC	2000W	LN-YB-020-000-030	EM-503-5	482	782	200	from 20U to 26U	from 20U to 26U
	50W/K	LN-ZA-050-000-010	EM-423-4	372	650	200	from 16U to 26U	from 16U to 26U
	80W/K	LN-ZA-080-000-020	EM-423-6	440	940	155	from 22U to 26U	from 22U to 26U
	120W/K	LN-ZA-120-000-030	EM-423-7	452	1030	200	from 24U to 26U	from 24U to 26U
	150W/K	LN-ZA-150-000-041	EM-423-8	561	1300	240	incompatible	incompatible
	180W/K	LN-ZA-180-000-040	EM-423-9	561	1300	251	incompatible	incompatible

*** Due to insufficient space, The air conditioners with the codes EM-450-7, EM-450-8, EM-450-9, EM-503-3, EM-503-4, EM-503-5, EM-423-4, EM-423-6, EM-423-7, EM-423-8, and EM-423-9 do not fit into the bodies of cabinets with a depth of 450 mm

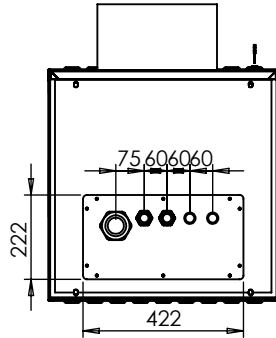
19" SAFEbox IP55

Cabinet Enclosure

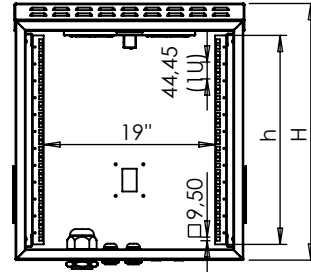
Air Condition / Heat Exchanger Integration Example on a Safebox Cabinet



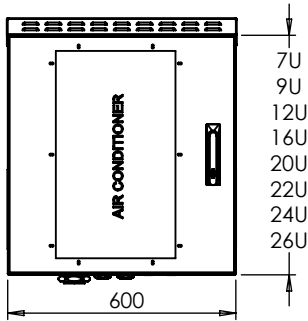
Top view



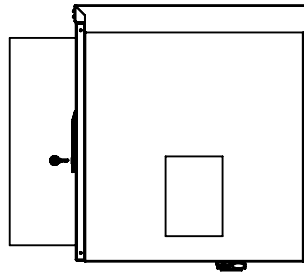
Bottom view



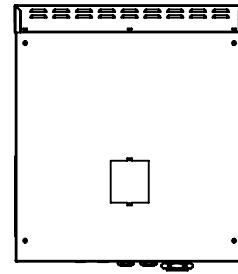
Front inside view



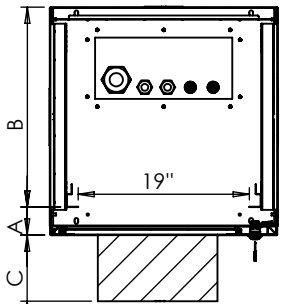
Front view



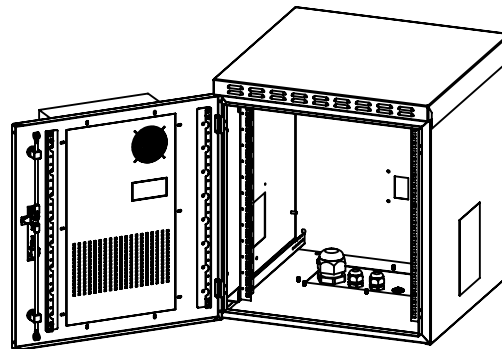
Side view



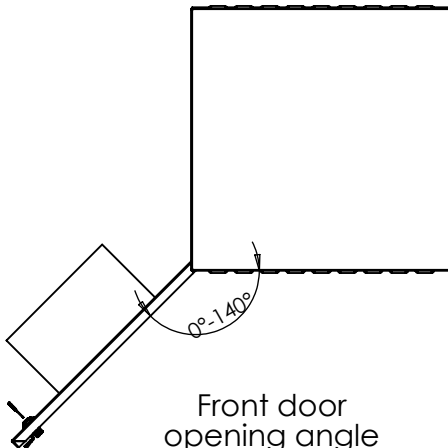
Rear view



Top inside view



3 point locking system

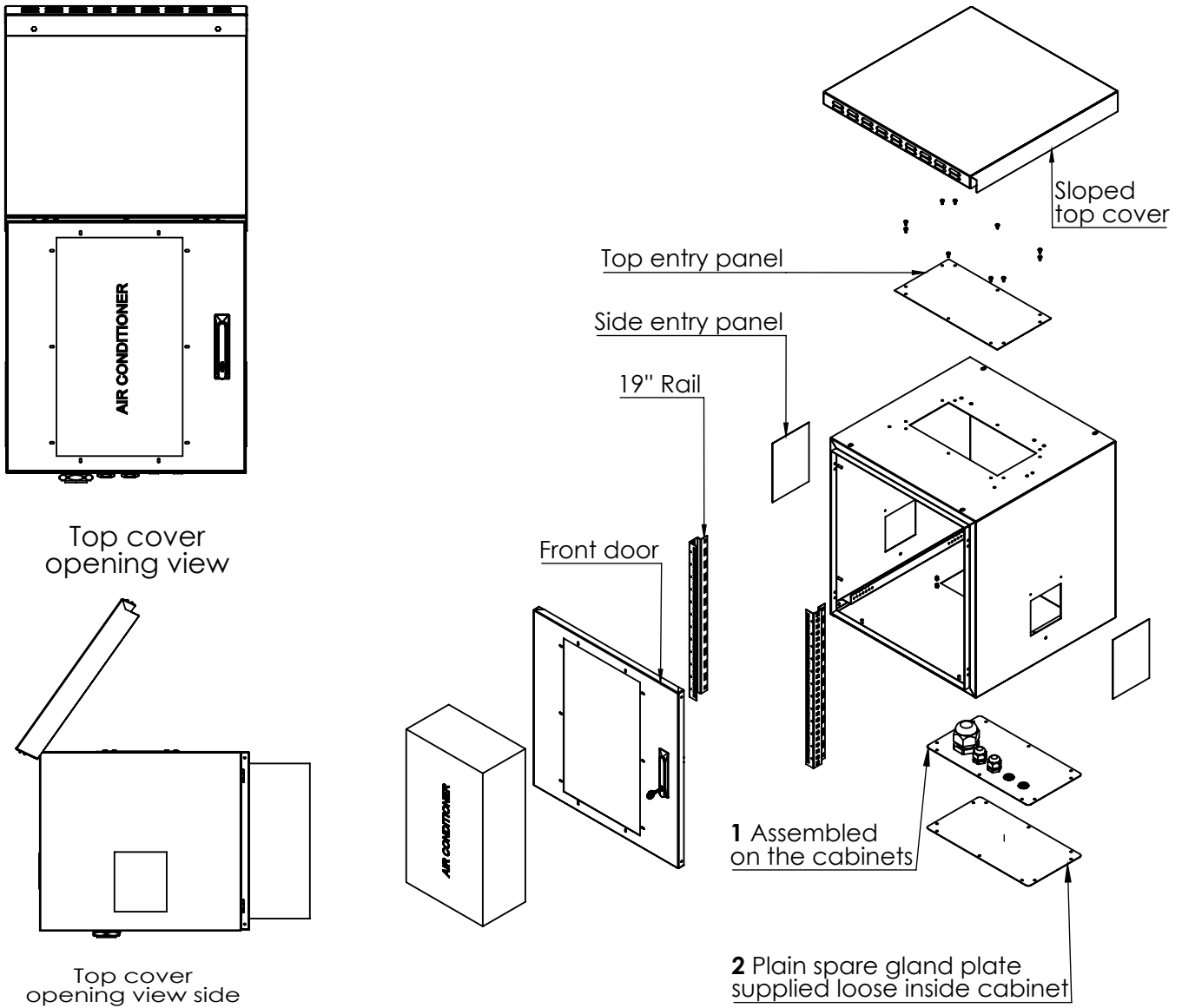


Front door opening angle

19" SAFEbox IP55

Cabinet Enclosure

Air Condition / Heat Exchanger Integration Example on a Safebox Cabinet



● In our standard, the installation of the top cover on the cabinet is screw-mounted, In the screw-mounted version, the top cover is opened by removing the two front and two rear screw from the inside. The images provided are for the hinged version of the cabinet.

● As standard, on the sides of the main body, there are 2 pcs fresh air inlets, if using air conditioning or heat exchanger device additional blanking plates are provided to seal the inlets and maintain the efficiency of the system.

● The roof of the enclosure is equipped with a fan tray installation housing, as standard the SAFEbox is supplied with a removable blanking plate to maintain efficiency of cooling/heat exchanger device

● As an option the front door of the existing SAFEbox cabinets can be replaced with an air conditioner or heat exchanger integrated front door, which will enhance cooling/heat exchanger in the cabinet or can solve heat problems occurs in the cabinets which has been deployed some time back at this event. The integrated air con or heat exchange doors can be retrofitted to existing installed cabinets should heat exchanger problems be identified

19" SAFEbox IP55

Indoor - Outdoor Cabinet Enclosure Thermoelectric Coolers - Peltier Device

LN-3030, LN-3050, LN-3102, LN-6105



External or recessed mounting

- Cooling capacities: 30 W, 50 W and 100 W
- AC and DC models available
- Suitable for Indoor and Outdoor applications
- Can be mounted in any position*
- NEMA 4X rated
- Ingress protection rating of IP 66
- Virtually maintenance free

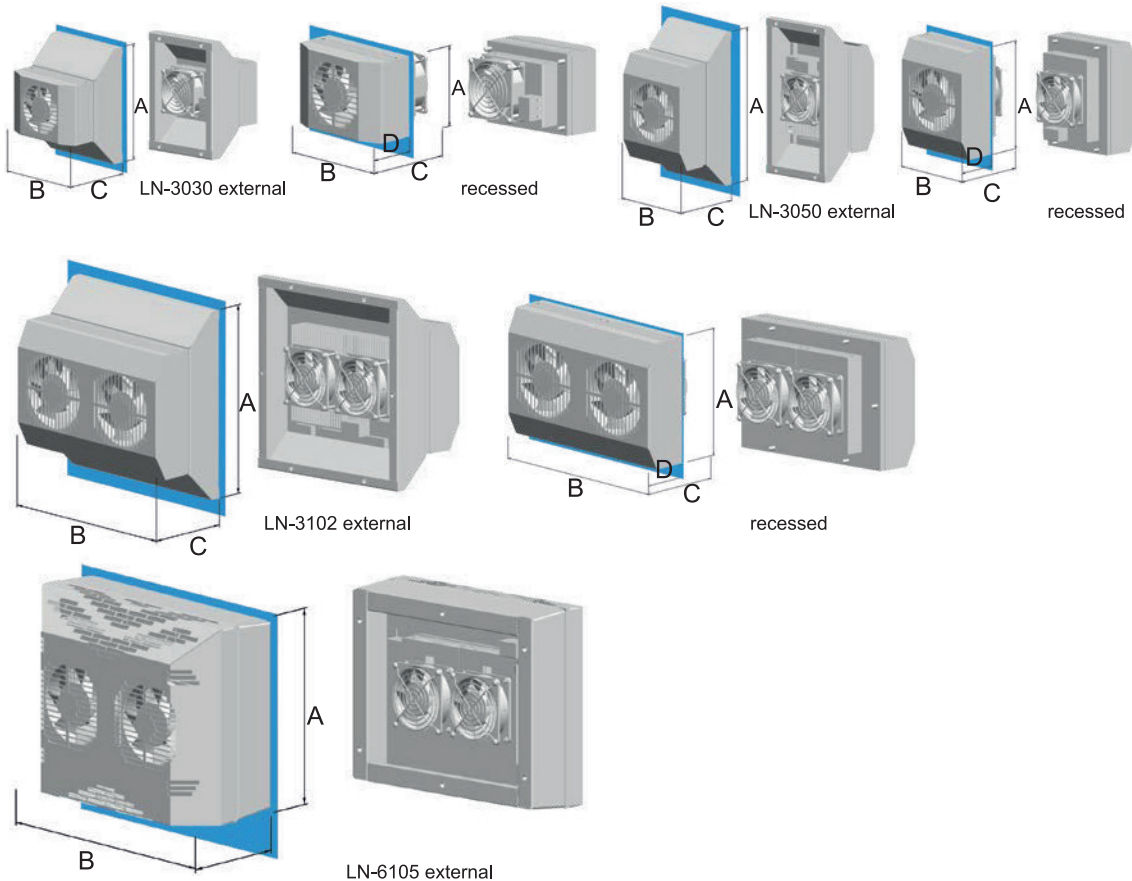
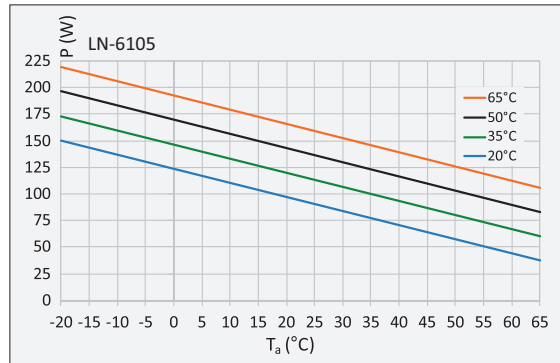
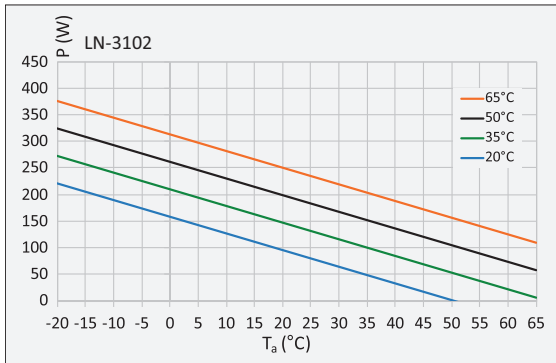
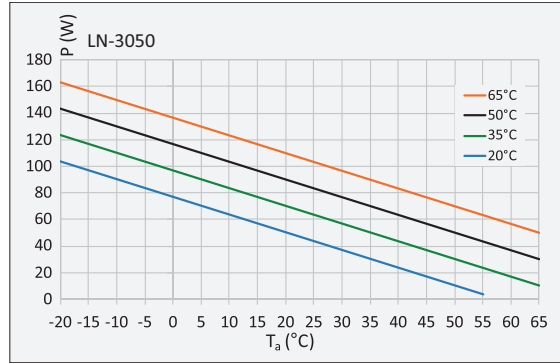
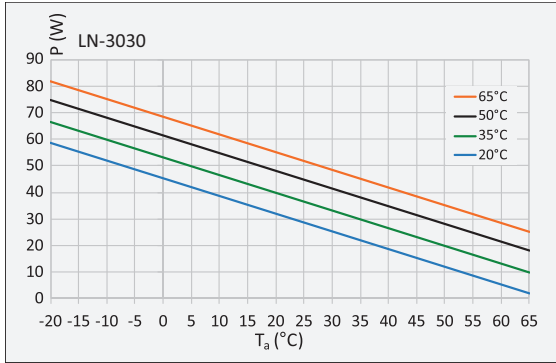
LN-3030, LN-3050, LN-3102, LN-6105					
Type	LN-3030	LN-3050	LN-3102	LN-6105	
Order number recessed	LN-3030-3	LN-3050-3	LN-3102-3	LN-6105-3	
Order number with frame	LN-3030-5	LN-3050-5	LN-3102-5	LN-6205-5	
Cooling capacity L35L35	30 W	50 W	100 W		
Operating temperature range	-20°C - +65°C				
Setting range	n. a.			+20°C - +50°C (cooling)	
Ambient / cabinet air flow	39 / 20 m³/h	64 / 23 m³/h	128 / 46 m³/h		
Mounting	recessed / external (with frame)				
Dimensions A x B x C (D) recessed	110 x 154 x 128 (65) mm	206 x 154 x 135 (75) mm	200 x 304 x 138 (73.9) mm	280 X 350 x 140 (85.5) mm	
Dimensions A x B x C with frame	212 x 158 x 131 mm	302 x 158 x 137 mm	302 x 306 x 140 mm	280 x 350 x 148 mm	
Housing material	Stainless steel 304 (V2A)				
Weight (recessed / with frame)	1.8 / 2.6 kg	3.3 kg / 3.9 kg	5.9 kg / 7.4 kg	9.4 kg / 11 kg	
ELECTRICAL DATA					
Voltage / Frequency	12 V DC	24 V DC	24 V DC	120 - 230 V AC ~ 50/60 Hz	
Current L35L35	2.8 A	2.4 A	4.8 A	1.1 A @ 120 V	0.5 A @ 230 V
Starting current	4.3 A	3.7 A	7.4 A	1.6 A @ 120 V	0.8 A @ 230 V
Max. current	2.9 A	2.5 A	4.9 A	1.1 A @ 120 V	0.6 A @ 230 V
Nominal power L35L35	34 W	57.6 W	115 W	126 W	
Max. power	35 W	60 W	118 W	131 W	
Fuse rating	5 A (T)	4 A (T)	8 A (T)	2 A (T)	1 A (T)
Connection	Connection terminal block				
Ingress IP protection	IP 66				
Certification	CE, RoHS	CE, RoHS, cURus			CE, RoHS

* Depending on the mounting situation the condensation management may need to be considered and possibly adjusted.

19" SAFEbox IP55

Indoor - Outdoor Cabinet Enclosure Thermoelectric Coolers - Peltier Device

LN-3030, LN-3050, LN-3102, LN-6105 - Performance Graphs



19" SAFEbox IP55

Indoor - Outdoor Cabinet Enclosure Thermoelectric Coolers - Peltier Device

LN-3152, LN-3200, LN-6155, LN-6205



External or recessed mounting

- Cooling capacities: 150 W, 200 W and 250 W
- AC and DC models available
- Suitable for Indoor and Outdoor applications
- Can be mounted in any position*
- NEMA 4X rated
- Ingress protection rating of IP 66
- Virtually maintenance free

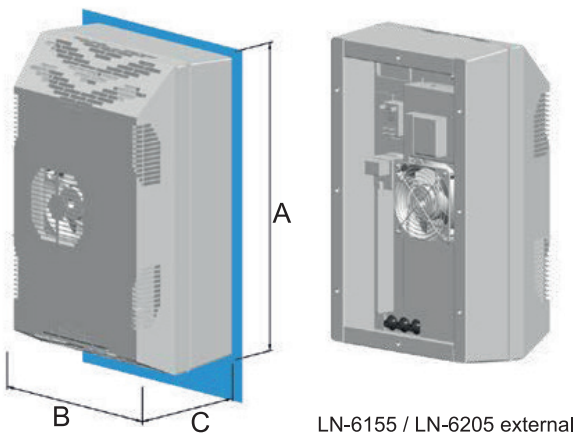
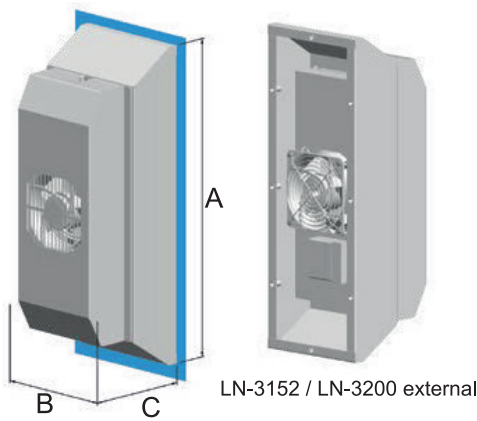
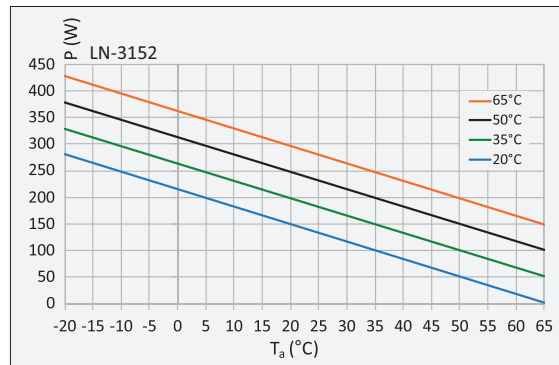
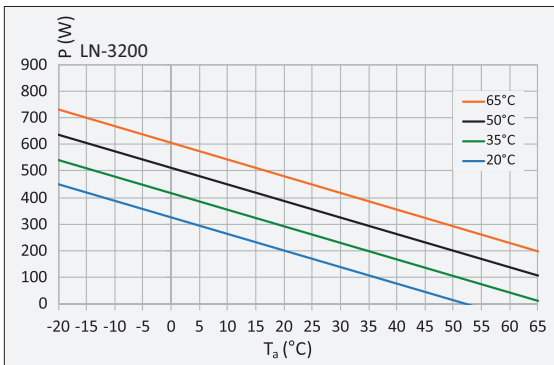
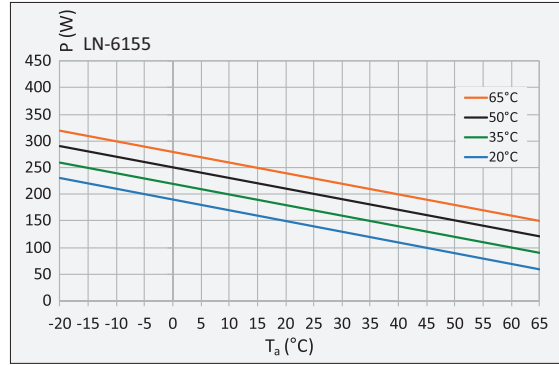
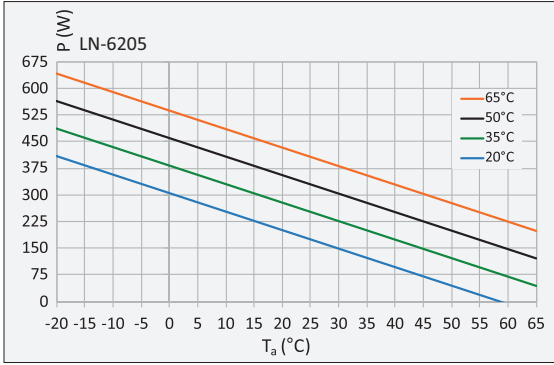
LN-3152, LN-3200, LN-6155, LN-6205							
Type	LN-3152	LN-3200	LN-3200	LN-6155	LN-6205		
Order number recessed	LN-3152-3	LN-3200-3	LN-3200-3	LN-6155-3	LN-6205-3		
Order number with frame	LN-3152-5	LN-3200-5	LN-3200-5	LN-6155-5	LN-6205-5		
Cooling capacity L35L35	150 W	200 W	250 W	150 W	200 W		
Operating temperature range	-20°C - +65°C						
Setting range	n. a.			+20°C - +50°C (cooling)			
Ambient / cabinet air flow	120 / 60 m³/h	120 / 120 m³/h		120 / 60 m³/h	120 / 120 m³/h		
Mounting	recessed / external (with frame)						
Dimensions A x B x C (D) recessed	400 x 180 x 171 (81) mm			500 x 300 x 194 (107.5) mm			
Dimensions A x B x C with frame	500 x 188 x 174 mm			500 x 300 x 200 mm			
Housing material	Stainless steel 304 (V2A)						
Weight (recessed / with frame)	9 kg / 12.7 kg	10 kg / 13.7 kg	10 kg / 13.7 kg	16.2 / 19 kg	17.2 / 20 kg		
ELECTRICAL DATA							
Voltage / Frequency	24 V DC	24 V DC	48 V DC	120 - 230 V AC ~ 50/60 Hz			
Current L35L35	7 A	10.8 A	8.5 A	1.4 A @ 120 V	0.7 A @ 230 V	1.9 A @ 120 V	1.0 A @ 230 V
Starting current	11 A	17 A	14 A	2.1 A @ 120 V	1.1 A @ 230 V	2.9 A @ 120 V	1.5 A @ 230 V
Max. current	7.5 A	11.6 A	9.3 A	1.5 A @ 120 V	0.8 A @ 230 V	2.0 A @ 120 V	1.0 A @ 230 V
Nominal power L35L35	170 W	260 W	400 W	170 W		230 W	
Max. power	180 W	280 W	440 W	180 W		240 W	
Fuse rating	10 A (T)	16 A (T)	13 A (T)	3 A (T)	2 A (T)	3 A (T)	2 A (T)
Connection	Connection terminal block						
Ingress IP protection	IP 66						
Certification	CE, RoHS, cURus			CE, RoHS			

* Depending on the mounting situation the condensation management may need to be considered and possibly adjusted.

19" SAFEbox IP55

Indoor - Outdoor Cabinet Enclosure Thermoelectric Coolers - Peltier Device

LN-3152, LN-3200, LN-6155, LN-6205 - Performance Graphs



19" SAFEbox IP55

Indoor - Outdoor Cabinet Enclosure Thermoelectric Coolers - Peltier Device

LN-6405, LN-6805



External or recessed mounting

- Cooling capacities: 250 W, 400 W and 800 W
- AC and DC models available
- Suitable for Indoor and Outdoor applications
- Can be mounted in any position*
- NEMA 4X rated
- Ingress protection rating of IP 66
- Virtually maintenance free

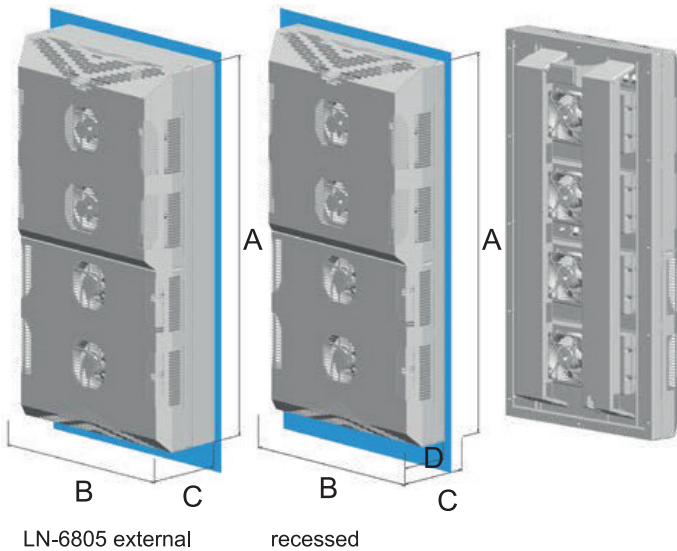
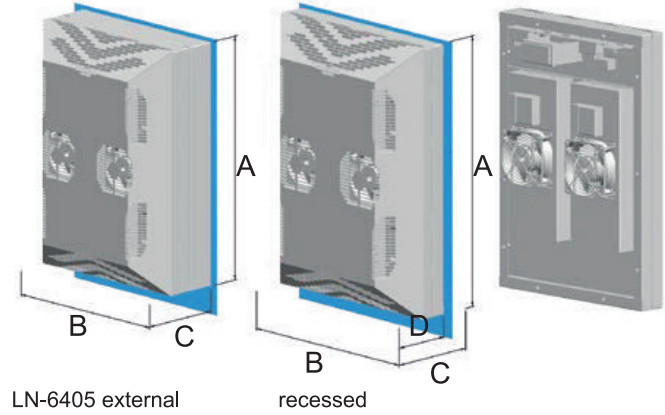
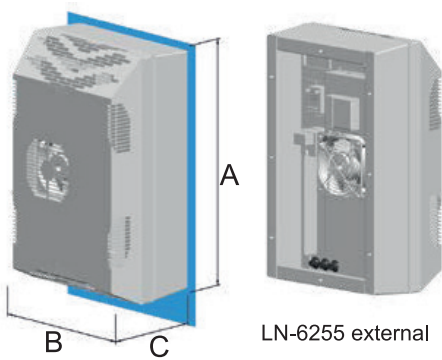
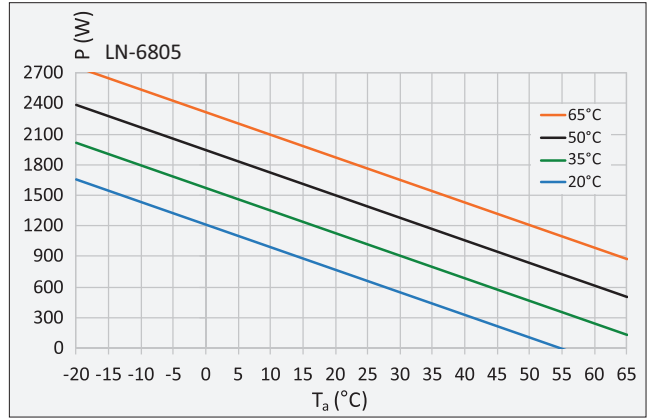
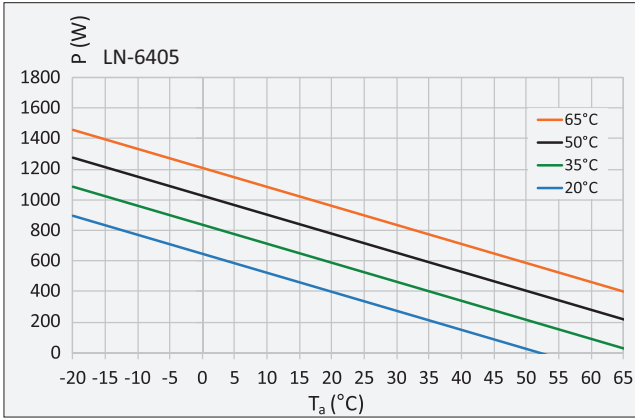
LN-6405, LN-6805				
Type	LN-6405		LN-6805	
Order number recessed	LN-6405-3		LN-6805-3	
Order number with frame	LN-6405-5		LN-6805-5	
Cooling capacity L35L35	400 W		800 W	
Operating temperature range	-20°C - +65°C			
Setting range	+20°C - +50°C (cooling)			
Ambient / cabinet air flow	240 / 240 m³/h		480 / 480 m³/h	
Mounting	recessed / external (with frame)			
Dimensions A x B x C (D) recessed	600 x 432 x 202 (138) mm		972 x 514 x 200 (138) mm	
Dimensions A x B x C with frame	600 x 432 x 208 mm		972 x 514 x 208 mm	
Housing material	Stainless steel 304 (V2A)			
Weight (recessed / with frame)	34 / 37 kg		66 / 70 kg	
ELECTRICAL DATA				
Voltage / Frequency	120 - 230 V AC ~ 50/60 Hz			
Current L35L35	3.9 A @ 120 V	2.0 A @ 230 V	7.7 A @ 120 V	4.0 A @ 230 V
Starting current	5.8 A @ 120 V	3.0 A @ 230 V	11.6 A @ 120 V	6.0 A @ 230 V
Max. current	4.0 A @ 120 V	2.1 A @ 230 V	8.0 A @ 120 V	4.2 A @ 230 V
Nominal power L35L35	460 W		930 W	
Max. power	480 W		960 W	
Fuse rating	6 A (T)	4 A (T)	12 A (T)	7 A (T)
Connection	Connection terminal block			
IP protection to IEC 60 529	IP 66			
Certification	CE, RoHS			

* Depending on the mounting situation the condensation management may need to be considered and possibly adjusted.

19" SAFEbox IP55

Indoor - Outdoor Cabinet Enclosure Thermoelectric Coolers - Peltier Device

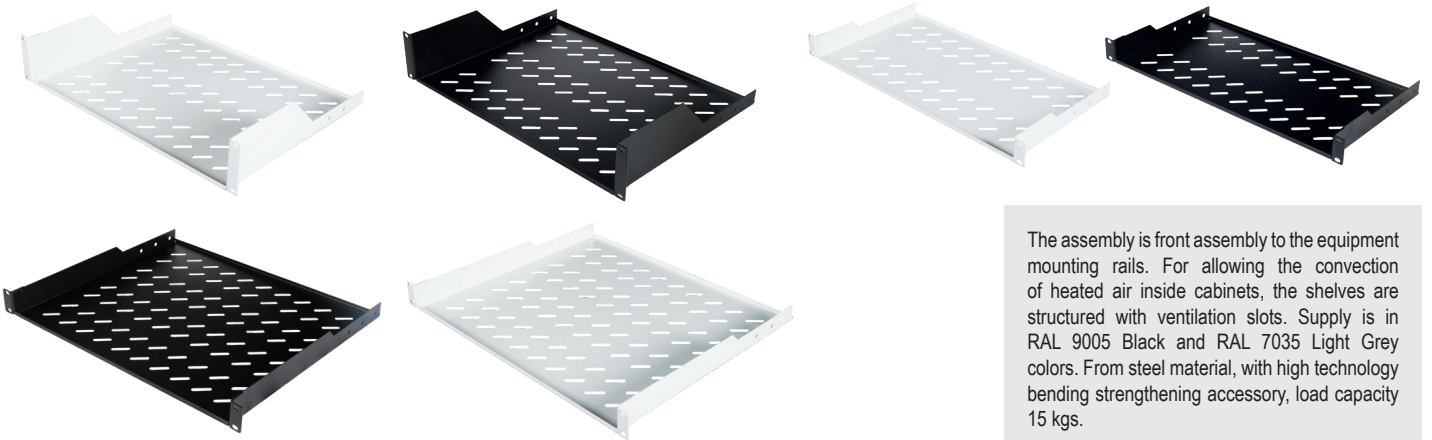
LN-6405, LN-6805 - Performance Graphs



19" SAFEbox IP55

Indoor - Outdoor Cabinet Enclosure

Accessories



The assembly is front assembly to the equipment mounting rails. For allowing the convection of heated air inside cabinets, the shelves are structured with ventilation slots. Supply is in RAL 9005 Black and RAL 7035 Light Grey colors. From steel material, with high technology bending strengthening accessory, load capacity 15 kgs.

RACK MOUNT SHELVES 2 POINT FIXING	Logistics Data								COMPATIBLE WITH	
									19" SAFEbox Indoor-Outdoor Cabinet Enclosure	
Part Number and Product Description	Product Dimensions WxDxH mm	Pack Dimensions WxDxH mm	Product Net Weight kgs	Product Gross Weight kgs	QTY in Box pcs	Box Dimensions WxDxH mm	Box Gross Weight kgs	600x450	600x600	
LN-RAF-RMO-1U20-CC 1U D=200mm 19" rack mount shelf, 2 point fixing, for all cabinets at 19" provision, load capacity 15 kgs.	482x200x44	510x240x50	0,9	1,1	10	545x425x400	13	•	•	
LN-RAF-RMO-1U25-CC 1U D=250mm 19" rack mount shelf, 2 point fixing, for all cabinets at 19" provision, load capacity 15 kgs.	482x250x44	510x280x50	1,1	1,3	10	545x425x400	15	•	•	
LN-RAF-RMO-1U30-CC 1U D=300mm 19" rack mount shelf, 2 point fixing, for all cabinets at 19" provision, load capacity 15 kgs.	482x300x44	505x305x50	1,3	1,6	9	545x425x400	17	•	•	
LN-RAF-RMO-1U40-CC 1U D=400mm 19" rack mount shelf, 2 point fixing, for all cabinets at 19" provision, load capacity 15 kgs.	482x400x44	515x415x55	1,7	2,1	7	545x425x400	14	-	•	
LN-RAF-RMO-2U35-CC 2U D=350mm 19" rack mount shelf, 2 point fixing, for all cabinets at 19" provision, load capacity 15 kgs.	482x350x88	510x360x90	2,1	2,4	4	545x425x400	11	•	•	

* CC= Color Code, LG Light Grey RAL 7035, BL Black RAL 9005, customers to define while ordering.



4 pcs grounding wires, 4 mm diameter yellow and green, 40 cm long, for purpose of main earth grounding.

GROUNDING SETS	Logistics Data								COMPATIBLE WITH	
									19" SAFEbox Indoor-Outdoor Cabinet Enclosure	
Part Number and Product Description	Product Dimensions WxDxH mm	Pack Dimensions WxDxH mm	Product Net Weight kgs	Product Gross Weight kgs	QTY in Box pcs	Box Dimensions WxDxH mm	Box Gross Weight kgs	600x450	600x600	
LN-DGR-TPR-5L40-XX Grounding Set, 6 grounding point, 4pcs x 4 mm diameter x 40cm long yellow/green wires, for basic grounding of cabinet chassis and panels	260x55x50	260x55x50	0,2	0,2	30	560x425x122	7,5	•	•	
LN-DGR-TPR-1U10-CC 19" rack mount 1U Grounding Set, 10 grounding point, 4 pcs x 4 mm diameter x 40 cm long yellow/green wires, can be installed at any U height for all cabinet models, 4pcs set of M6 fixing elements.	482x35x44	500x45x50	0,4	0,45	1	500x45x50	0,45	•	•	



* CC= Color Code, LG Light Grey RAL 7035, BL Black RAL 9005, customers to define while ordering.

19" SAFEbox IP55

Indoor - Outdoor Cabinet Enclosure

Accessories

Horizontal cable management segment accessories are for the cable management inside the cabinet, for intend of carrying the cables into the final connection point. have types of 1/2U, 1U, 2U, brushed type, ring type, with cover plates. Supply is in RAL 9005 Black and RAL 7035 Light Grey colors.

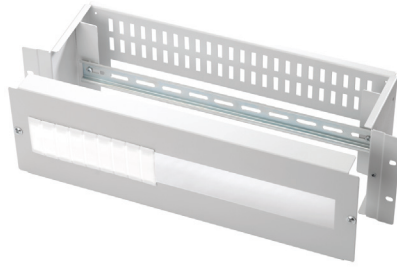
HORIZONTAL CABLE MANAGEMENT ACCESSORIES		Logistics Data							COMPATIBLE WITH	
Product Picture	Part Number and Product Description	Product Dimensions WxDxH mm	Pack Dimensions WxDxH mm	Product Net Weight kgs	Product Gross Weight kgs	QTY in Box pcs	Box Dimensions WxDxH mm	Box Gross Weight kgs	600x450	600x600
	LN-KDG-YKD-1UKN-CC 1U 19" cable management panel 5 rings	482x72x44	490x80x50	0,32	0,35	32	545x425x400	12,85	•	•
	LN-KDG-YKD-1UKT-CC 1U 19" cable management panel, channel type, removable front cover plate with clips	482x75x44	490x80x50	0,51	0,55	32	545x425x400	19,20	•	•
	LN-KDG-YKD-1UKZ-CC 1U 19" cable management panel, channel type, removable insert type sliding cover plate	482x72x44	490x80x50	0,68	0,72	32	545x425x400	24,10	•	•
	LN-KDG-YKD-1UFC-CC 1U 19" cable management panel for patchcord entry, brushed type	482x12x44	490x20x50	0,25	0,29	40	560x425x122	13,50	•	•
	LN-KDG-YKD-1UFO-CC 1U 19" cable management panel for patchcord entry, brushed type, with L rear bend patchcord holder and tire up panel	482x112x44	490x135x50	0,58	0,76	20	545x425x400	17,00	•	•
	LN-KDG-YKD-05FC-CC 1/2U 19" cable management panel for patchcord entry, brushed stripe around the patchcord entry	482x12x22	490x135x50	0,45	0,64	20	545x425x400	14,00	•	•
	LN-KDG-YKD-2UKN-CC 2U 19" cable management panel 5 rings	482x72x88	490x85x95	0,65	0,72	16	545x425x400	13,00	•	•
	LN-KDG-YKD-2UKA-CC 2U 19" cable management panel, channel type, removable angled front cover plate, front cover plate is toolless	482x75x88	490x85x95	1,03	1,12	16	545x425x400	20,00	•	•
	LN-KDG-YKD-2UKZ-CC 2U 19" cable management panel, channel type, removable insert type sliding cover plate	482x72x88	490x85x95	1,35	1,47	16	545x425x400	25,50	•	•

* CC= Color Code, LG Light Grey RAL 7035, BL Black RAL 9005, customers to define while ordering

19" SAFEbox IP55

Indoor - Outdoor Cabinet Enclosure

Accessories



3U 19" DIN RAIL integrated, electrical distribution box supply is in RAL 7035 Light Grey and RAL 9005 Black colors. At a capacity of 21 modules. Front opening is covered with PVC module cover plates can be trimmed as per used capacity.

3U 19" ELECTRICAL DISTRIBUTION BOX and ACCESSORIES	Logistics Data							COMPATIBLE WITH	
								19" SAFEbox Indoor-Outdoor Cabinet Enclosure	
Part Number and Product Description	Product Dimensions WxDxH mm	Pack Dimensions WxDxH mm	Product Net Weight kgs	Product Gross Weight kgs	QTY in Box pcs	Box Dimensions WxDxH mm	Box Gross Weight kgs	600x450	600x600
LN-PRZ-MOD-3U15-CC 3U 19" electrical distribution box 21 module capacity	482x123x133	500x150x155	2,59	2,89	4	545x425x400	13,6	•	•
LN-PRZ-SGT-316A-XX CCT breaker, 3 phase, 3x16A 220/380V AC	-	-	-	-	-	-	-	•	•
LN-PRZ-SGT-116A-XX CCT breaker 1 phase 1x16A 220V AC	-	-	-	-	-	-	-	•	•
LN-PRZ-SCK-SSRM-XX Schuko socket, rail type, 250V AC, 16A	-	-	-	-	-	-	-	•	•

* CC= Color Code, LG Light Grey RAL 7035, BL Black RAL 9005, customers to define while ordering.



Led lighting module 12V DC power with 100-240V AC power adapter with motion detector IR sensor 19" 1/2U. Magnet equipped can be attached to any metallic part of enclosure with its magnets. That allows serviceability inside cabinet/enclosure. 6000 Kelvin illumination.

SENSORED LIGHTING MODULE	Logistics Data							COMPATIBLE WITH	
								19" SAFEbox Indoor-Outdoor Cabinet Enclosure	
Part Number and Product Description	Product Dimensions WxDxH mm	Pack Dimensions WxDxH mm	Product Net Weight kgs	Product Gross Weight kgs	QTY in Box pcs	Box Dimensions WxDxH mm	Box Gross Weight kgs	600x450	600x600
LN-DGR-AYD-1UOT-XX Lighting module 1/2U 19", motion sensor equipped automatically operating once doors are open, LED LIGHTING, magnet equipped 100-240V AC	482x35x44	500x150x55	0,48	0,65	16	545x425x400	10,4	•	•

19" SAFEbox IP55

Indoor - Outdoor Cabinet Enclosure

Accessories

Aluminium housing, different types and features, power distribution strips are CE marked. DIN49440 Schuko types, IEC320 C13 types, BS1363 UK socket types, lighted on/off switched, 16A cct breaker type, surge protection types are available. A wide accessory portfolio is available, possible to configurate special and specific product models with different socket types and qty's for projects.

POWER STRIPES ALUMINIUM HOUSING		Logistics Data							COMPATIBLE WITH	
Product Picture	Part Number and Product Description	Product Dimensions WxDxH mm	Pack Dimensions WxDxH mm	Product Net Weight kgs	Product Gross Weight kgs	QTY in Box pcs	Box Dimensions WxDxH mm	Box Gross Weight kgs	19" SAFEbox Indoor-Outdoor Cabinet Enclosure	
									600x450	600x600
	LN-PRZ-SGT-1U6P-SC 6xDIN49440 socket Schuko power strip, 19" 1U, aluminium housing, 1x16A cct breaker, 4000 Watt, 250V AC, 3x1.5 mm ² , 2,5m cable, DIN 49441 plug, CE approval	482x44x44	500x50x120	1	1,1	27	545x425x400	31	•	•
	LN-PRZ-SGT-2U9P-SC 9xDIN49440 socket Schuko power strip, 19" 2U, aluminium housing 1x16A cct breaker, 4000 Watt, 250V AC, 3x1.5 mm ² , 2,5m cable, DIN 49441 plug, CE mark	482x44x88	500x100x120	1,5	1,7	12	545x425x400	22	•	•
	LN-PRZ-AKK-1U6P-SC 6xDIN49440 socket Schuko surge protection power strip, 19" 1U, aluminium housing, 16A lighted on/off switched, 4000 Watt, 250V AC, 3x1.5 mm ² , 2,5m cable, DIN 49441 plug, CE approval	482x44x44	500x50x120	1	1,1	27	545x425x400	31	•	•
	LN-PRZ-ONF-1U6P-UK 6xBS1363 UK socket power strip, 19" 1U, aluminium housing, lighted on/off switched, 13A 3250 Watt, 250V AC, 3x1.5 mm ² , 2,5m cable, 13A BS1363 plug, CE mark.	482x44x44	500x100x120	1,2	1,4	24	545x425x400	34	•	•
	LN-PRZ-SGT-1U6P-IE 6xIEC 320 C13 socket power stripe, 19" aluminium housing, 1x16A cct breaker, 4000 Watt, 250V AC, 2,5m cable, DIN 49441 plug, CE approval	482x44x44	500x50x120	1	1,1	27	545x425x400	31	•	•
	LN-PRZ-ONF-1U8P-SC 8xDIN49440 socket Schuko power strip, 19" 1U, aluminium housing, 16A lighted on/off switched, 4000 Watt, 250V AC, 3x1.5 mm ² , 2,5m cable, DIN 49441 plug, CE approval	482x44x44	500x50x120	1,1	1,2	27	545x425x400	34	•	•

For more information or other models please have a look at PDU brochures or website links at website at www.lande.com.tr

19" SAFEbox IP55

Indoor - Outdoor Cabinet Enclosure

Accessories



Ready pre-installed, plug-in and run style, with 0-60°C operating analogue thermostat switch and plugs. Each fan has an air flow capacity of 2,63-3,03 cbm/min. Fan technical data: 13,8/11, 8W, 220/240 VAC, 50/60 Hz, 0,14/0, 12A, 2550/2750 rpm 43-47 dB-A noise level. Fan life: 50.000 hours at 40°C.

FAN MODULES with ANALOGUE THERMOSTAT	Logistics Data							COMPATIBLE WITH	
	Product Dimensions WxDxH mm	Pack Dimensions WxDxH mm	Product Net Weight kgs	Product Gross Weight kgs	QTY in Box pcs	Box Dimensions WxDxH mm	Box Gross Weight kgs	600x450	600x600
LN-FAN-THM-1FWMIP-LG 1 fan module thermostat switched, filtered for SAFEbox IP55 Cabinets	346x175x50	380x160x60	1,53	1,76	15	545x425x400	28,2	•	•
LN-FAN-THM-1FWMIP-LG-48 Fan module thermostat switched, filtered for SAFEbox IP55 Cabinets, 48V DC	346x175x50	380x160x60	1,53	1,76	15	545x425x400	28,2	•	•
LN-FAN-THM-2FWMIP-LG 2 fan module thermostat switched, filtered for SAFEbox IP55 Cabinets	346x175x50	380x160x60	1,97	2,20	15	545x425x400	34,9	•	•
LN-FAN-THM-2FWMIP-LG-48 Fan module thermostat switched, filtered for SAFEbox IP55 Cabinets, 48V DC	346x175x50	380x160x60	1,97	2,20	15	545x425x400	34,9	•	•

19" SAFEbox IP55

Indoor - Outdoor Cabinet Enclosure

Lacquer UV printing any art design required for your project demands, fits to environment, fits to topology and deployment alignment of your projects. Any kind of design, or letters/texts can be applied on front door.

Lacquering is needed for protection against UV effect coming from sun radiation. You imagine and we can design it. Lande can provide art design application from our in housed marketing department.





CONTACT DETAILS

Headquarters

Address:

Merve Mah. Gazi Cad. No: 17 **Phone:** +90 216 312 26 53
Sancaktepe - İstanbul / TURKEY **Fax** : +90 216 312 09 09

Factory

Address:

20. Cadde No: 14 Eskişehir **Phone:** +90 222 236 24 66 pbx
Organize San. Bölge. 26110 **Fax** : +90 222 236 13 53
Eskişehir / TURKEY

www.lande.com.tr | sales@lande.com.tr

