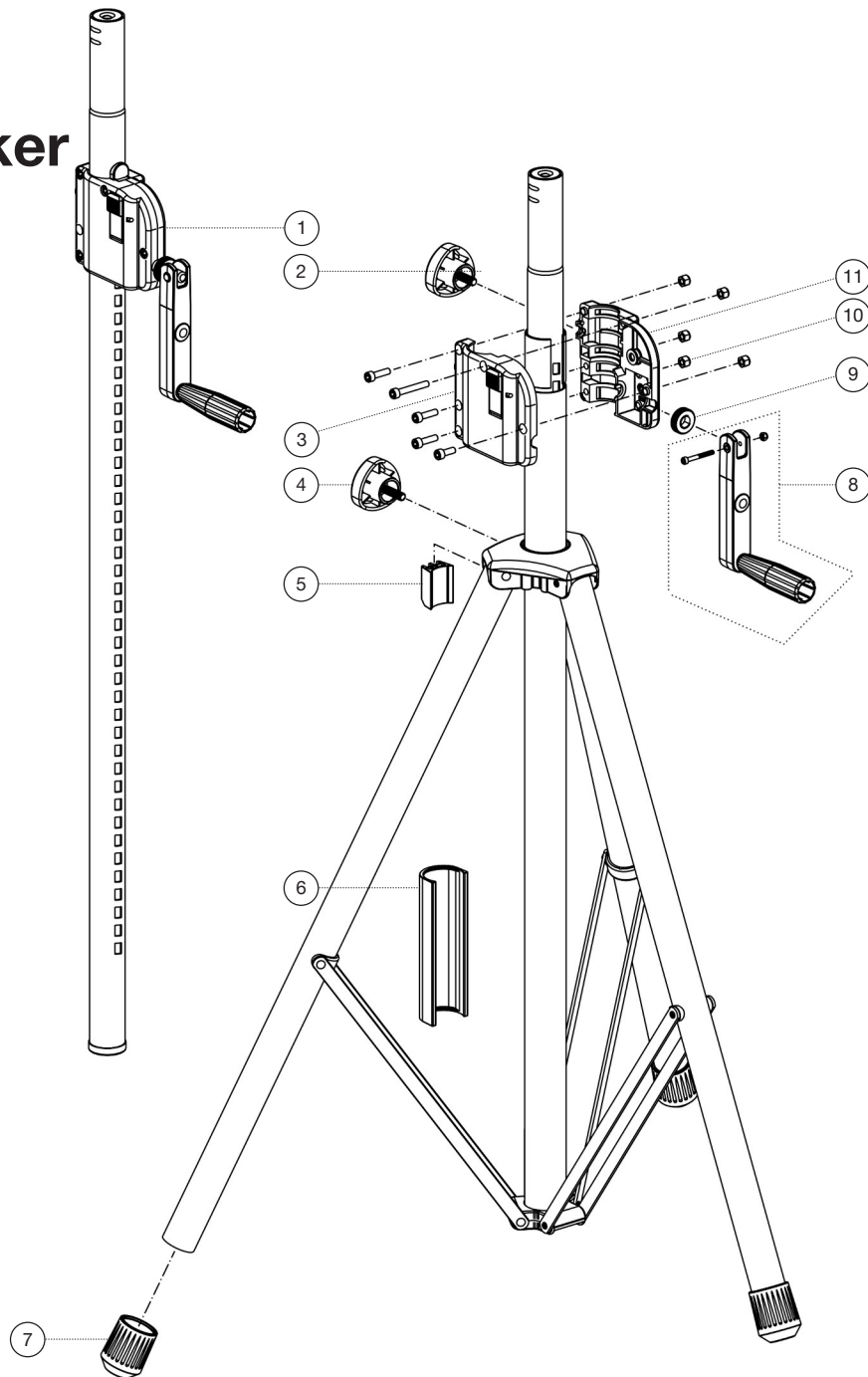


Spare parts list

213 Speaker stand

21300-009-55 - black

*Rev 06



| Position | Description | Article No. | Quantity |
|----------|--|-------------------------------|----------|
| 1 | Crank mechanism with extension tube complete | 21304-000-55 | 1 |
| 2 | Clamping screw with logo M8 x 16/33 mm | 01-82-763-55 | 1 |
| 3 | Housing half shell left complete | 6-21300-13-55 | 1 |
| 4 | Clamping screw with logo M8 x 21/38 mm | 01-82-783-55 | 1 |
| 5 | Clamping piece with pin R 21 | 6-86735-1-55 | 1 |
| 6 | Clamp collar | 01-86-931-55 | 1 |
| 7 | End cap | 01-84-935-55 | 3 |
| 8 | Hand crank complete | 21303-000-55 | 1 |
| 9 | Clamping disk | 01-06-450-25 | 1 |
| 10 | Screws/nuts M6 on crankcase | 3-00-000-015 | 1 |
| 11 | Housing half shell right | 02-41-752-55 | 1 |