

Active Speaker

6301DT



English

Thank you for purchasing this Fostex product.
This manual provides instructions for basic use of the unit.
Read this before using the unit for the first time.

■ WARNINGS and PRECAUTIONS

- **CAUTION:** The symbol ⚠️ To prevent electric shock hazard, do not connect to mains power supply while grille is removed.
- **WARNING:** An apparatus with CLASS I construction shall be connected to a MAINS socket outlet with a protective earthing connection.
- **CAUTION:** TO PREVENT ELECTRIC SHOCK, MATCH WIDE BLADE OF PLUG TO WIDE SLOT, FULLY INSERT.
- **WARNING:** To reduce the risk of fire or electric shock, do not expose this apparatus to rain or moisture.
- **CAUTION:** Use of any controls or adjustments or performance of procedures other than those herein specified may result in hazardous radiation exposure.
- **WARNING:** Changes or modifications to this unit not expressly approved by the party responsible for compliance could void the user's authority to operate the equipment.
- **WARNING:** Do not place the unit on top of any soft, porous, or sensitive surfaces to avoid damaging the surface. Use a protective barrier between the unit and surface to protect the surface.
- **WARNING:** Use of this unit near fluorescent lighting may cause interference regarding use of the remote. If the unit is displaying erratic behavior move away from any fluorescent lighting, as it may be the cause.
- **WARNING:** Do not install this equipment in a confined space such as a book case or similar unit.

- **WARNING:** Mains plug is used as disconnect device and it should remain readily operable during intended use. In order to disconnect the apparatus from the mains completely, the mains plug should be disconnected from the mains socket outlet completely.



WARNING: TO REDUCE THE RISK OF ELECTRIC SHOCK, DO NOT REMOVE COVER (OR BACK). NO USER-SERVICEABLE PARTS INSIDE. REFER SERVICING TO QUALIFIED SERVICE PERSONNEL.



The lightning flash with arrowhead symbol, within an equilateral triangle, is intended to alert the user to the presence of uninsulated "dangerous voltage" within the product's enclosure that may be of sufficient magnitude to constitute a risk of electric shock to persons.



The exclamation point within an equilateral triangle is intended to alert the user to the presence of important operating and maintenance (servicing) instructions in the literature accompanying the appliance.

■ SAFETY INSTRUCTIONS

1. Read Instructions - All the safety and operating instructions should be read before the appliance is operated.
2. Retain Instructions - The safety and operating instructions should be retained for future reference.
3. Heed Warnings - All warnings on the appliance and in the operating instructions should be adhered to.
4. Follow Instructions - All operating and use instructions should be followed.
5. Water and Moisture - The appliance should not be used near water - for example, near a bathtub, washbowl, kitchen sink, laundry tub, in a wet basement, or near a swimming pool, and the like.
6. Carts and Stands - The appliance should be used only with a cart or stand that is recommended by the manufacturer.
The appliance and cart combination should be moved with care. Quick stops, excessive force, and uneven surfaces may cause the appliance and cart combination to overturn.
7. Wall or Ceiling Mounting - The appliance should be mounted to a wall or ceiling only as recommended by the manufacturer.
8. Ventilation - The appliance should be situated so that its location or position does not obstruct proper ventilation. For example, the appliance should not be situated on a bed, sofa, rug, or similar surface that may block the ventilation openings; or, placed in a built-in installation, such as a bookcase or cabinet that may impede the flow of air through the ventilation openings.
9. Heat - The appliance should be situated away from heat sources such as radiators, heat registers, stoves, or other appliances (including amplifiers) that produce heat.
10. Power Sources - The appliance should be connected to a power supply only of the type described in the operating instructions or as marked on the appliance.
11. Grounding or Polarization - The precautions that should be taken so that the grounding or polarization means of the appliance is not compromised.
12. Power Cord Protection - Power supply cords should be routed so that they are not likely to be walked on or pinched by items placed upon or against them, paying particular attention to cords at plugs, convenience receptacles, and the point where they exit from the appliance.



13. Cleaning - The appliance should be cleaned only as recommended by the manufacturer.
14. Nonuse Periods - The power cord of the appliance should be unplugged from the outlet when left unused for a long period of time.
15. Object and Liquid Entry - Care should be taken so that objects do not fall and liquids are not spilled into the enclosure through openings.
16. Damage Requiring Service - The appliance should be serviced by qualified service personnel when:
 - A. The power supply cord or the plug has been damaged; or
 - B. Objects have fallen, or liquid has been spilled into the appliance; or
 - C. The appliance has been exposed to rain; or
 - D. The appliance does not appear to operate normally or exhibits a marked change in performance; or
 - E. The appliance has been dropped, or the enclosure damaged.
17. Servicing - The user should not attempt to service the appliance beyond that described in the operating instructions.
18. All other servicing should be referred to qualified service personnel.
19. The appliance should be situated away from drips of water or spraying water.
20. Objects containing liquid such as vases must not be put on the appliance.
21. The appliance is not completely isolated from the power supply even if the power switch is in the off position.
22. Appliance shall not be exposed to dripping or splashing and no objects filled with liquids, such as vases, shall be placed on the appliance.
23. Only use attachments/accessories specified by the manufacturer.
24. Appliances with a protective earth terminal should be connected to a mains outlet with a protective earth connection.
25. The appliance should be placed in a position where an AC plug / inlet can be easily pulled out by hand.
26. The main plug is used as the disconnection device. It shall remain readily operable and should not be obstructed during intended use. To completely disconnect the appliance from supply mains, the mains plug of the appliance shall be disconnected from the mains socket outlet completely.

■ FCC (U.S.A.) & ICES-003 (Canada) INFORMATION

1. **IMPORTANT NOTICE**
This product, when installed as indicated in the instructions contained in this manual, meets FCC and ICES-003 requirements. Changes or modifications not expressly approved by Fostex Company for compliance could void the user's authority to operate the equipment. DO NOT MODIFY THIS PRODUCT.
2. **IMPORTANT**
In order to comply with FCC and ICES-003 requirements, use high quality shielded cables for connection to accessories and / or another products. If any cables are supplied with this product, they MUST be used. Follow all installation instructions. Failure to do so could void your FCC / ICES-003 authorization to use this product in the USA / Canada.
3. **NOTE**
This equipment has been tested and found to comply with the limits for a Class B digital device, pursuant to Part 15 of the FCC Rules. These limits are designed to provide reasonable protection against harmful interference in a residential installation. This equipment generates, uses and can radiate radio frequency energy and, if not installed and used in accordance with instructions, may cause harmful interference to radio communications.

However, there is no guarantee that interference will not occur in a particular installation. If this equipment does cause harmful interference to radio or television reception, which can be determined by turning the equipment off and on, the user is encouraged to correct the interference by one or more of the following measures:

- Reorient or relocate the receiving antenna.
 - Increase the separation between the equipment and receiver.
 - Connect the equipment into an outlet on a circuit different from that to which the receiver is connected.
 - Consult the dealer or an experienced radio/TV technician for help.
4. Compliance with Part 15 of FCC Rules and Canadian ICES-003.
This device complies with Part 15 of the FCC Rules. Operation is subject to the following two conditions: (1) This device may not cause harmful interference, and (2) this device must accept any interference received, including interference that may cause undesired operation.

This Class B digital apparatus complies with Canadian ICES-003. Cet appareil numérique de la classe B est conforme à la norme NMB-003 du Canada.

Introduction

6301DT is a compact monitor with built-in amplifier equipped with Dante function and performs various types of monitoring.

■ Features

- The cone-shaped, full-range speaker produces stable sound.
- As the speaker is compact and consists of a single unit, it can be placed anywhere.
- The speaker uses a tough, aluminum die cast enclosure.
- Switches and knobs do not protrude from the panel to prevent damage caused if the speaker falls over.
- Equipped with a switching power circuit compatible with 100 V to 240 V AC power supplies.
- 6301DT is designed to output either or both of any two-channel digital signals out of Dante network signals.
Supported sampling frequencies: 44.1/48/88.2/96 kHz
- By attaching wall mounting bracket EB-6301 (sold separately) to the unit, you can both adjust the angle of the unit and fix it to walls.

■ Dante Network and System

Dante® is a network-audio protocol developed by Audinate.

Dante network system transmits multiple uncompressed digital audio signals over IP networks compatible with Gigabit Ethernet.

For more information on Dante, visit the website below.

www.audinate.com

■ Accessories

- Power cord × 1
- Owner's Manual (this manual) × 1
- Safety Instruction × 1

Part names and functions

Front

1 [VOLUME]

Adjusts the volume.

2 [POWER] indicator

Turns on and off to indicate the status of the unit.

Off: Power off

Lit up in red: The power is on but there is no input signal or the input signal is not locked.

Lit up in green: A device is connected to the [Dante IN] terminal and locked for the input signals.

Flashing in green: A device is connected to the [Dante IN] terminal and the unit is locked as clock master.

3 [ON/OFF] button

Turns the unit on/off.

Note

- Use a standard AC outlet.
- Disconnect the plug from the outlet when the unit will not be used for a long time.



Back

4 [Dante IN] terminal

Inputs Dante signals.

Connects a LAN cable (RJ45 type). Use an Ethernet cable with CAT5e or higher.

5 [ANALOG IN] terminal

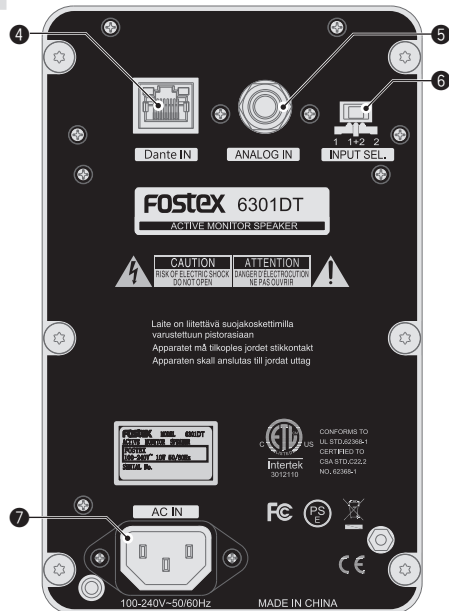
Ø6.3 mm (1/4") TS phone unbalanced analog input terminal.

The input signal to the [ANALOG IN] terminal is given priority over the input signal connected to the 4 [Dante IN] terminal. When input plugs are connected to both input terminals at the same time, the input signal to the [ANALOG IN] terminal is output from 6301DT.

6 [INPUT SEL] switch

Selects the audio channel output from 6301DT when Dante is being input.

Selects 1ch only (1), 1ch+2ch (1+2), and 2ch only (2).



7 [AC IN] terminal

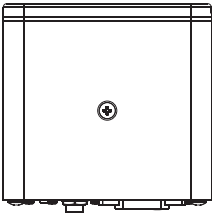
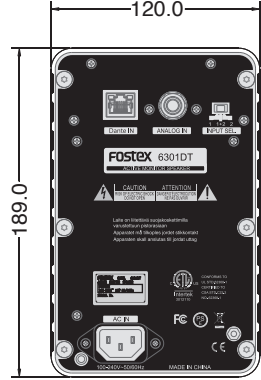
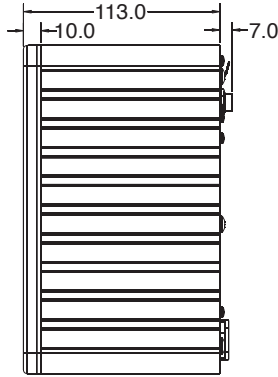
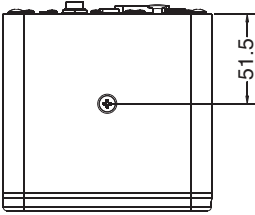
Used to connect to a power outlet using the supplied power cord.

A grounding type plug has a third grounding prong. The third prong are provided for your safety. If the provided plug does not fit into your AC outlet, consult an electrician for replacement of the obsolete outlet.

Specifications

	6301DT
Type	Sealed powered speaker system
Speaker	100 mm cone-shaped, full-range speaker × 1
Frequency band	70 Hz to 15 kHz
Output sound pressure level	85 dB/W (1 m)
Maximum output sound pressure level	98 dB
Rated output	20 W
T. H. D.	0.05% (at 1 kHz 1 W output)
Input terminal	Analog unbalanced/φ6.3 mm (1/4") TS phone
	Dante/RJ45 (CAT5e or higher)
Input impedance	Analog input (unbalanced) 10 kΩ or more
Input sensitivity	Analog (unbalanced): -14 dBV (0.2 Vrms)
Residual noise	-65 dBV
Enclosure material	Aluminum die-casting
Power consumption	10 W
External dimensions (mm)	120 (W) × 189 (H) × 120 (D)
Weight	Approx. 2.3 kg
Power	AC 100 V to 240 V, 50/60 Hz
Length of the power cord	Approx. 2 m

Dimensional drawings



Optional accessory

By attaching a wall fitting angle (sold separately) to the unit, you can adjust the angle of the unit and fix the unit to walls.

Wall fitting angle EB-6301



CAUTION



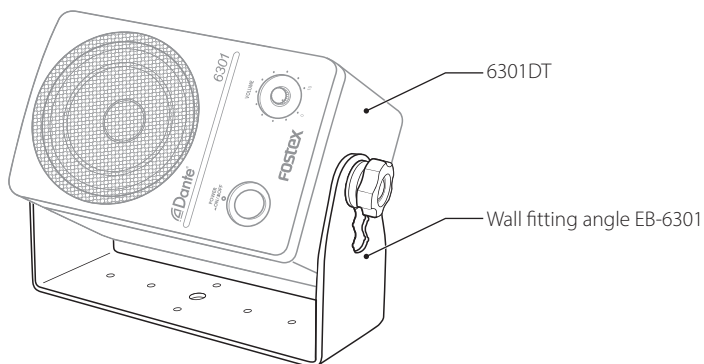
Ask a professional to fix the unit to a wall using the bracket.

Fostex is not responsible for accidents and casualties caused by using the bracket.



When you attach the unit to the bracket, attach it firmly using the screws supplied with EB-6301.

Otherwise the unit may fall and cause accidents leading to injuries and damage.

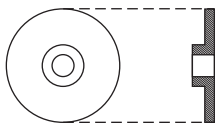


Specifications

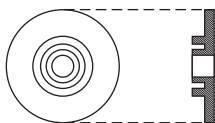
External dimensions (mm)	200 (W) × 75 (H) × 148 (D)
Weight	850 g

■ Accessories of EB-6301

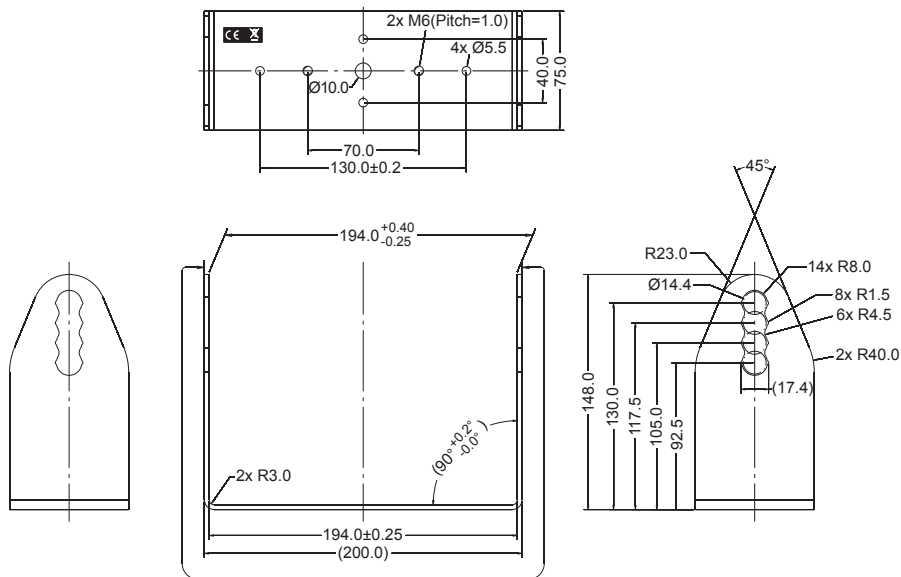
- Mounting screw × 2
- Rubber washer (with no grooves) × 2



- Rubber washer (with grooves) × 2

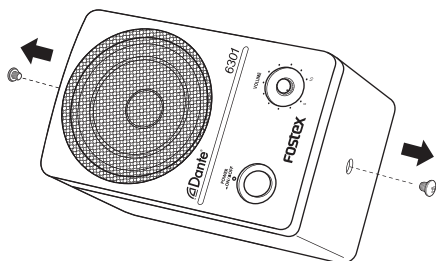


■ Dimensional drawings of EB-6301

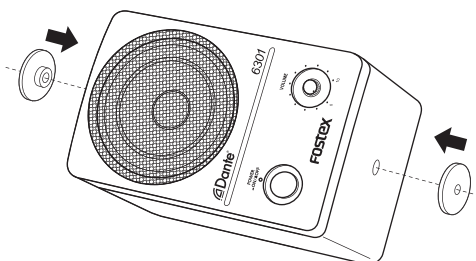


■ Attaching EB-6301

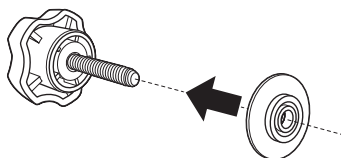
- 1 Remove the screws on the top and bottom of the 6301DT.



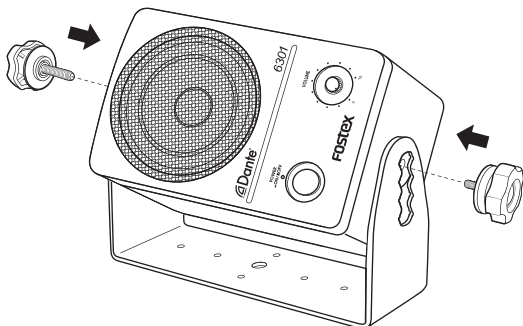
- 2 Attach the rubber washers (with no grooves) to the top and bottom of the unit.



- 3 Fit the rubber washers (with grooves) onto the mounting screws.



- 4 Adjust the unit to your preferred position in the bracket, then attach and tighten the mounting screws prepared in step 3.



Declaration of EC Directive

This equipment is compatible with the EMC Directive (2014/30/EU) - Directive on approximation of member nation's ordinance concerning the electromagnetic compatibility and with the Low Voltage Directive (2014/35/EU) - Directive on approximation of member nation's ordinance concerning electric equipment designed to be used within the specified voltage range. The full text of the EU declaration of conformity is available at the following internet address:
https://www.fostexinternational.com/docs/tech_support/declaration-conformity.shtml

The Affect of Immunity on This Equipment

The affect of the European Specification EN61000-6-1 (coexistence of electromagnetic waves - common immunity specification) on this equipment are as shown below.

In the electrical fast transient/burst requirements, surge, conducted disturbances by radio-frequency fields, power frequency magnetic field, radiate electromagnetic field requirements and static electricity discharging environment, this could be affected by generation of noise in some cases.

FOSTEX DISTRIBUTORS LIST IN EUROPE

* Including non-EU countries (as of Nov. 2020)

Albania NAME: Player Plus d.o.o. ADD: St. Sestara Strain 1/13, 11080 Belgrade, Serbia TEL: +381 (0)11 3774968 FAX: +381 (0)11 3774969 Email: info@playersr Website: http://www.playersr	France NAME: Hamry Sound (Headphones and USB DAC Only) ADD: 28 Rue Edith Cavelli, 92400 Courneuve, France TEL: (+33) 1 4788 4702 FAX: (+33) 1 4789 4872 Email: sav@hamrysound.com Website: http://www.hamrysound.com	Latvia NAME: Mafico BV ADD: Weg en Bos 2 2661 DH Bergschenhoek Nederland TEL: +31 (0)10 - 414 8426 FAX: +31 (0)10 - 404 8863 Email: info@mafico.com Website: http://www.mafico.com	Serbia NAME: Player Plus d.o.o. ADD: St. Sestara Strain 1/13, 11080 Belgrade, Serbia TEL: +381 (0)11 3774968 FAX: +381 (0)11 3774969 Email: info@playersr Website: http://www.playersr
Austria NAME: Mega Audio GmbH ADD: Feldborn 3, in 55444 Waldalraersheim, Germany TEL: (+49) 6709 914 522 FAX: (+49) 6721-32046 Email: info@megaaudio.de Website: http://www.megaaudio.de	France NAME: Mega Audio GmbH ADD: Feldborn 3, in 55444 Waldalraersheim, Germany TEL: (+49) 6709 914 522 FAX: (+49) 6721-32046 Email: info@megaaudio.de Website: http://www.megaaudio.de	Lithuania NAME: Mafico BV ADD: Weg en Bos 2 2661 DH Bergschenhoek Nederland TEL: +31 (0)10 - 414 8426 FAX: +31 (0)10 - 404 8863 Email: info@mafico.com Website: http://www.mafico.com	Slovakia NAME: Rockcentrum ADD: Ambra Pietra 40, 036 01 Martin, Slovakia TEL: +421 43 41 36336 FAX: +421 43 41 36337 Email: rock-centrum@rock-centrum.sk Website: http://www.rockcentrum.sk
Baltic states NAME: Mafico Pro ADD: Weg en Bos 2, 2661 DH Bergschenhoek, The Netherlands TEL: +31 (0)10 - 414 8426 FAX: +31 (0)10 - 404 8863 Email: info@mafico.com Website: http://www.mafico.com	France NAME: TLHP/Son Lumiere Concept (Speaker Component Only) ADD: 10 rue du Passavent, Zone du Val d'Orson, 35770 Verns sur Seiche TEL: +33(0)892707657 Email: info@toutlehautparleur.com Website: http://www.toutlehautparleur.com/marque-thp.html	Macedonia NAME: Player Plus d.o.o. ADD: St. Sestara Strain 1/13, 11080 Belgrade, Serbia TEL: +381 (0)11 3774968 FAX: +381 (0)11 3774969 Email: info@playersr Website: http://www.playersr	Slovenia NAME: Player Plus d.o.o. ADD: St. Sestara Strain 1/13, 11080 Belgrade, Serbia TEL: +381 (0)11 3774968 FAX: +381 (0)11 3774969 Email: info@playersr Website: http://www.playersr
Belgium NAME: XLR sgr/bvba ADD: Piene Strauwentstraat 24, 1020 Brussels, Belgium TEL: (+32) 2 520 0827 FAX: (+32) 2 521 1977 Email: info@xlrpro.be Website: http://www.xlrpro.be	Germany NAME: Mega Audio GmbH ADD: Feldborn 3, in 55444 Waldalraersheim, Germany TEL: (+49) 6709 914 522 FAX: (+49) 6721-32046 Email: info@megaaudio.de Website: http://www.megaaudio.de	Montenegro NAME: Player Plus d.o.o. ADD: St. Sestara Strain 1/13, 11080 Belgrade, Serbia TEL: +381 (0)11 3774968 FAX: +381 (0)11 3774969 Email: info@playersr Website: http://www.playersr	Spain & Portugal NAME: ATCONSUMER ADD: Club Nautico Premiá. Local 3, 08330 Premiá de Mar (TEL: +34) 609 288310 Email: info@atconsumer.es Website: https://www.atconsumer.es/
Bosnia and Hezegovina NAME: Player Plus d.o.o. ADD: St. Sestara Strain 1/13, 11080 Belgrade, Serbia TEL: +381 (0)11 3774968 FAX: +381 (0)11 3774969 Email: info@playersr Website: http://www.playersr	Greece NAME: Bon Studio S.A ADD: 6 Zami Street, Exarchia, 106 83 Athens, Greece TEL: (+30) 210-3809-605, 606, 607, 608 FAX: (+30) 210-3845-755, 210-3827-868 Email: bon@bonstudio.gr Website: http://www.bonstudio.gr	Netherlands, The NAME: Mafico BV ADD: Weg en Bos 2 2661 DH Bergschenhoek Nederland TEL: +31 (0)10 - 414 8426 FAX: +31 (0)10 - 404 8863 Email: info@mafico.com Website: http://www.mafico.com	Sweden NAME: Nordic Pro Audio Aps ADD: Bjerringbrovej 143, DK-2610 Rødovre TEL: +45 - 31 20 70 21 Email: ks@nordicproaudio.com/ Website: https://nordicproaudio.com/
Croatia NAME: Player Plus d.o.o. ADD: St. Sestara Strain 1/13, 11080 Belgrade, Serbia TEL: +381 (0)11 3774968 FAX: +381 (0)11 3774969 Email: info@playersr Website: http://www.playersr	Hungary NAME: Mega Audio GmbH ADD: Feldborn 3, in 55444 Waldalraersheim, Germany TEL: (+49) 6709 914 522 FAX: (+49) 6721-32046 Email: info@megaaudio.de Website: http://www.megaaudio.de	Norway NAME: Nordic Pro Audio Aps ADD: Bjerringbrovej 143, DK-2610 Rødovre TEL: +45 - 31 20 70 21 Email: ks@nordicproaudio.com/ Website: https://nordicproaudio.com/	Switzerland NAME: Audio Bauer Pro AG ADD: Bernerstrasse-Nord 182, CH-8064 Zurich, Switzerland TEL: (+41) 44 432 3230 FAX: (+41) 44 432 6558 Email: info@audio-bauerpro.ch Website: http://www.audio-bauerpro.ch
Czech NAME: Praha Music Center spol s.r.o. ADD: Ocelarska 937/93, Praha 9, 190 00, Czech TEL: (+420) 226-011-111 FAX: (+420) 226-011-112 Email: info@pmc.cz Website: http://www.pmc.cz	Italy NAME: Art of Music sas (Hi-Fi system and Speaker Components) ADD: Via Dal Lino 23/2, 40134 Bologna, Italy TEL: (+39) 347 2532215 Email: artofmusic@libero.it Website: http://www.artofmusic.it	Poland NAME: MP Sp. z o.o. ADD: Działowska 12, Warszawa, Poland TEL: (+48) 22 424 8254 FAX: (+48) 22 855 93 80 Email: biuro@mp.biz.pl Website: http://www.mip.biz	Turkey NAME: Extreme Audio ADD: Sheraton Istanbul Maslak Kat 82 Buyukdere Cad. Nr:233 Uçyol Mevki 34398 Maslak Istanbul Turkey TEL: +90 444 3760 FAX: +90 212 285 0073 Email: bahadi@extreme-audio.com Website: http://www.extreme-audio.com
Denmark NAME: Nordic Pro Audio Aps ADD: Bjerringbrovej 143, DK-2610 Rødovre TEL: +45 - 31 20 70 21 Email: ks@nordicproaudio.com Website: https://nordicproaudio.com/	Italy NAME: Backline S.r.l. ADD: Via dell'Aprica, 16 - 20158 Milano, Italy TEL: (+39) 02 6901 5709 FAX: (+39) 02 6901 5645 Email: info@backline.it Website: http://www.backline.it	Romania NAME: DVD Planet Buying Srl ADD: Slantul Elfeiterie Street, No 3a District 5, 050523 Bucuresti, Romania TEL: +40 074917 3333 / 073217 3333 Email: office@dvdplanet.ro Website: http://www.DVDPLANET.ro	UK NAME: SCV Distribution ADD: Unit C1 Belcon Industrial Estate, Geddings Road, Hoddesdon, Hertfordshire, EN11 0NT, UK TEL: +44 (0)3201 222500 FAX: +44 (0)1992 44 9171 Email: fostex@scvdistribution.co.uk Website: http://www.scvdistribution.co.uk
Estonia NAME: Mafico BV ADD: Weg en Bos 2, 2661 DH Bergschenhoek, The Netherlands TEL: +31 (0)10 - 414 8426 FAX: +31 (0)10 - 404 8863 Email: info@mafico.com Website: http://www.mafico.com	Kosovo NAME: Player Plus d.o.o. ADD: St. Sestara Strain 1/13, 11080 Belgrade, Serbia TEL: +381 (0)11 3774968 FAX: +381 (0)11 3774969 Email: info@playersr Website: http://www.playersr	Russia NAME: Audio Mania LLC (Speaker Component Only) ADD: 107023 Barabanny Lane 4/4, Moscow Russia TEL: +7 495 2680468 Email: info@audiomania.ru Website: http://www.audiomania.ru	Ukraine NAME: A & T Trade Petrosnop ADD: 29, Obolon'skaya Str., Kiev, Ukraine 04071 TEL: (+380)44-537-3356
Finland NAME: Hifitalo ADD: Sallunkatu 3, 24100 Salo, Finland TEL: +358 440 553 595 FAX: +358 440 553 595 Email: info@hifitalo.fi Website: http://www.hifitalo.fi		Russia NAME: BLADE Group of Companies ADD: 1st Kosmosyol'skoy lane, 7/9A, bld. 11, 3rd floor, Moscow Russia 107140 TEL: +7(499) 705-1552 FAX: +7 495 276 2076 Email: info@blade.ru Website: http://www.blade.ru	Ukraine NAME: Era in Ear (Consumer Products Only)



Fostex Company, a division of Foster Electric Company, Limited
1-1-109, Tsutsujiyagaoka, Akishima City, Tokyo, 196-8550, Japan
TEL: (+81) 42 546 4974