



ISO 9001 CERTIFIED

# DNH

HEAD OFFICE, NORWAY

**DNH AS**

Phone..... + 47 35 98 56 00  
 Fax..... + 47 35 98 56 10  
 E-mail..... dnh@dnh.no  
 Web-Site..... www.dnh.no

ENGLAND

**DNH WW Ltd**

Phone..... + 44 1908 275 000  
 Fax..... + 44 1908 275 100  
 E-mail..... dnh@dnh.co.uk

GERMANY

**DNH GmbH**

Phone... + 49 040 6569 30-0  
 Fax..... + 49 040 6569 30-30  
 E-mail..... dnh@dnh.de

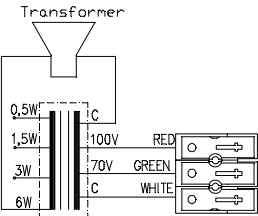
USA

**DNH Speakers Inc**

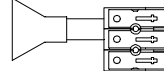
Phone..... + 1 484 494 5790  
 Fax..... + 1 484 494 5793  
 E-mail..dnh@dnhspeakers.com

## BKF-560CR(T)

### CIRCUIT DIAGRAM



### Low Impedance

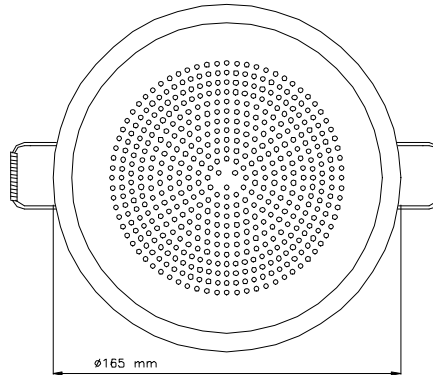
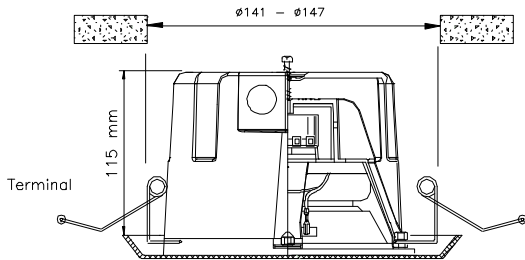


70/100 Volt combined transformer  
 Primary connections

White : Green 70 V  
 White : Red 100 V

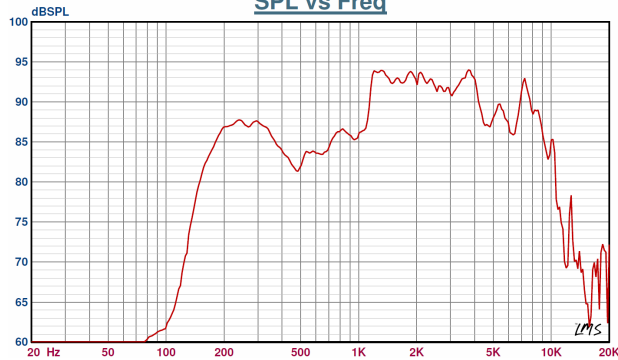
Secondary nominal tapings

C : 6W	6,0 W
C : 3W	3,0 W
C : 1,5W	1,5 W
C : 0,5W	0,5 W



### Sound pressure levels at 1W/1m w/P-5/15T

#### SPL vs Freq



### Specifications

Material / Color	Aluminum / ABS / RAL9010
Mounting	Springs
Termination	Spring clamps
Weight	0,74 kg
Max. / min. amb. temp	90°C / -20°C
Rated power	6W
SPL 1W/1m	88 dB
SPL rated power	95 dB
Effective freq. range	150 – 11000 Hz
Dispersion (-6dB) 1kHz / 4kHz	170° / 60°
Options	Impedances, colors, labels

## Installation, Operation and Maintenance Procedures

- Remove box by one screw, lead cable trough cable gland, connect to terminal (70V or 100V) and select required tapping on the transformer.
- Install box by one screw and mount the complete loudspeaker into the ceiling by bending back two springs.
- BKF-560CR(T) is designed for clean room applications.
- For optimum performance, always use the correct voltage / power and operate within the frequency limits as stated.
- Do not open loudspeaker when energized.
- This loudspeaker is supplied with two years warranty against defective workmanship.

DNH reserves the right to alter specifications without notice.

