

DVI ADAPTERS - Female - Back to back



48-640 ADAPTER DVI Female - DVI Female - panel-mounting
48-641 ADAPTER DVI Female - DVI Female - in-line

(Left Image)
(Right Image)

- DVI-I 29 pin female
- Gold flashed contacts
- Nickel connector
- Beige PVC housing
- Screw type UNC4-40 Hex nuts

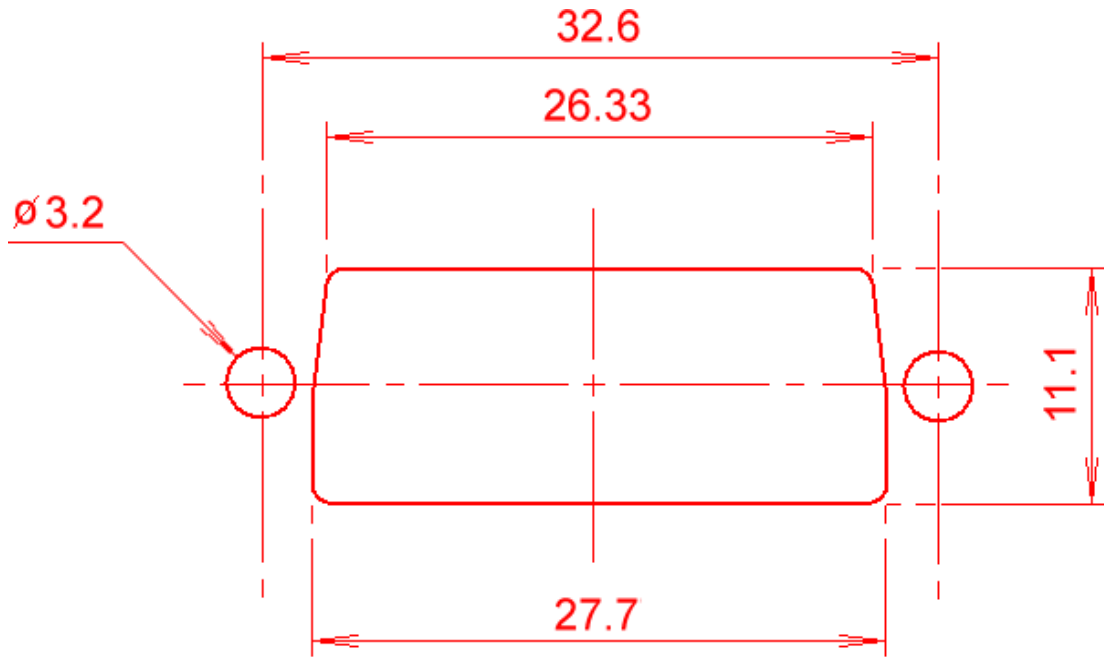
These fully populated DVI female to DVI female adapters are compatible with DVI-I single/dual link, DVI-D single/dual link and DVI-A male connectors. They have gold-plated pins and are wired straight through pin-to-pin.

The panel-mounted type allow coupling of two DVI cables through a panel or bulkhead. These have mounting screws machined to enable them to be mounted in panels up to 1.5mm thickness, and for the connector to be fully mated and locked.

The in-line type allow coupling of two DVI cables, but are not suitable for panel mounting.

Dimensions:





All dimensions in mm
Max panel thickness 1.5mm

48-640 ADAPTER DVI Female - DVI Female - panel-mounting
Cut out details