



# TECHNICAL DATA SHEET

## BOUNDARY LAYER MICROPHONE

### 91-124 CANFORD FLUSH MOUNT BOUNDARY LAYER MICROPHONE

This specialised electret based microphone is designed for fixed installations where unobtrusive pick-up of sound, from a wide range of angles, is required. Originally developed for interview recording in security and personnel applications, the Flush Mount Microphone can also find uses in paging systems where a projecting gooseneck microphone is not appropriate.

It mounts on to a standard, single-gang, box (to UK spec. BS1363). The black anodised plate has four small holes for sound transmission. Electrical connections are made via

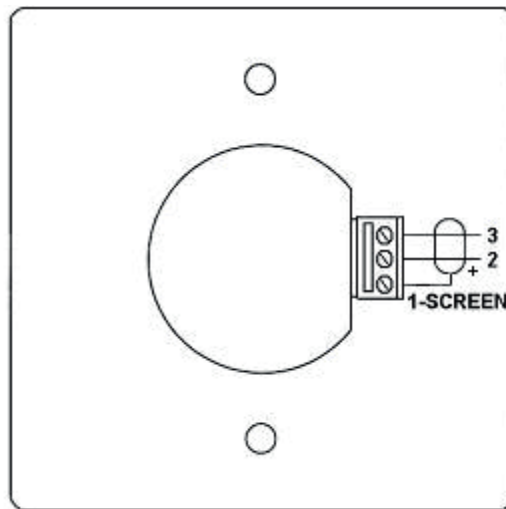
the rear-mounted screw terminals. The microphone has a balanced output and requires an external 48 volt phantom power supply.

#### ACCESSORIES (not supplied.)

49-578 Single-gang, mounting box, flush

20-752 48-volt phantom power supply

31-001 Installation type microphone cable



#### TECHNICAL SPECIFICATION

<b>Sensitivity:</b>	-75dB (ref 1V/ubar 1KHz 3V)
<b>Frequency:</b>	50 – 15KHz
<b>Output Impedance:</b>	200 ohms
<b>Recommended Load Impedance:</b>	Greater than 600 ohms
<b>Pickup Pattern:</b>	Hemispherical
<b>Voltage Requirement:</b>	48 volts, phantom power
<b>Current Drain:</b>	5mA max
<b>Max. Input Sound Pressure:</b>	120dB SPL
<b>Dimensions:</b>	85 x 85 x 20 (mm)
<b>Weight:</b>	60g