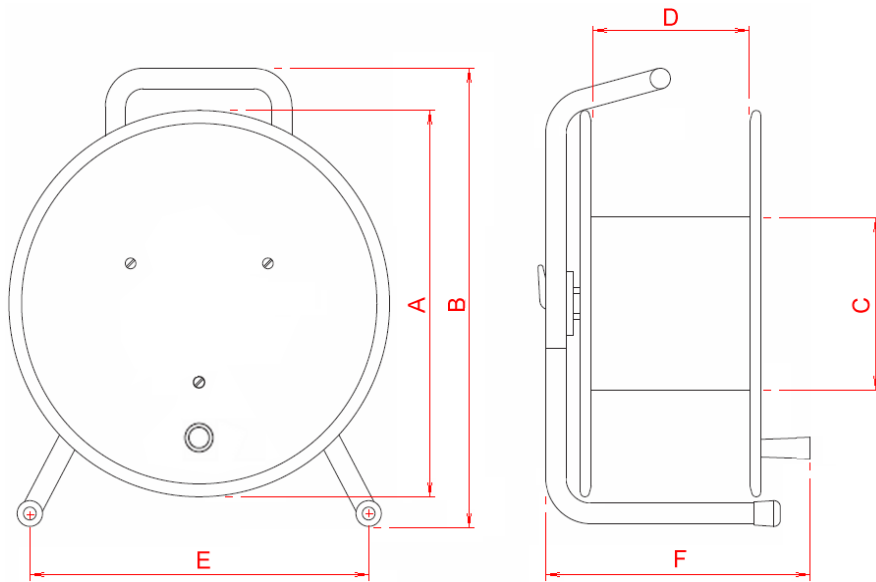


35-5011 CANFORD CABLE DRUM CD260



Robust cable-drum, steel drum with steel tube frame. Friction drum-brake incorporated into the frame to prevent movement in transit. 'Plain' type solid steel flange. Fixed handle. Black finish.

Dimensions:



A	260mm
B	315mm
C	135mm
D	125mm
E	240mm
F	200mm

Weight: 2.6 kg

Capacity:

6.5mm cable	98m
12.5mm cable	28m
15.9mm cable	11m

For more capacities use the online cable drum calculator

<http://www.canford.co.uk/Technical/Article/CableDrumCalculator?portable=true>