

## CANFORD FADER BRIDGE



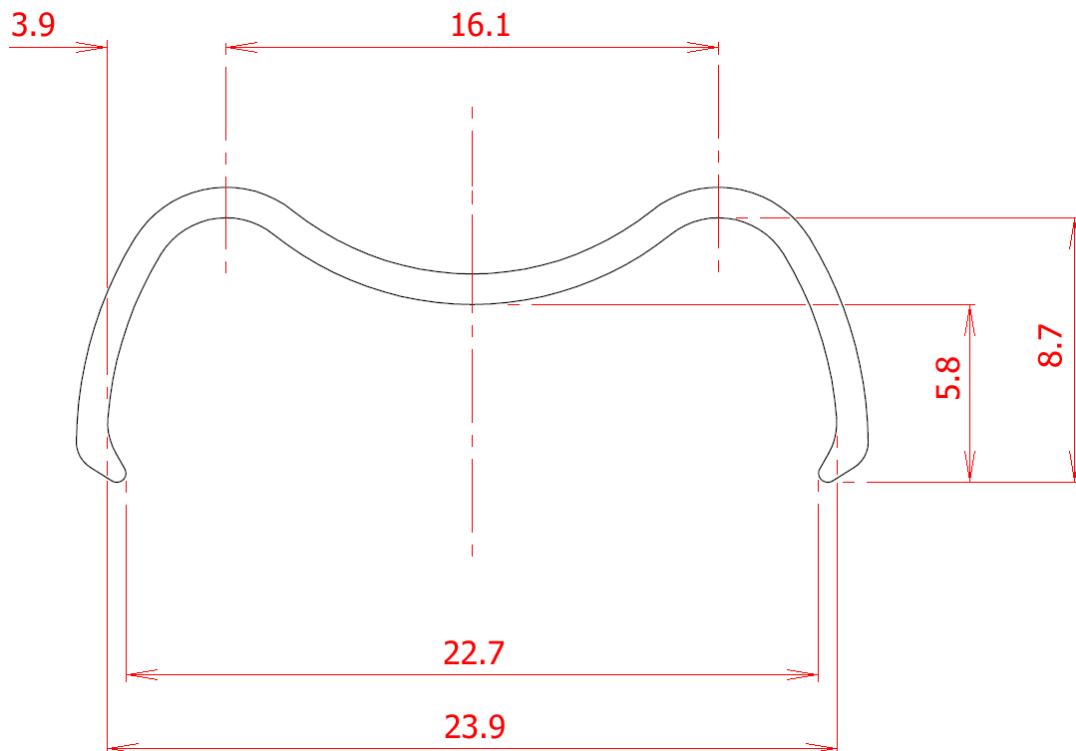
- 58-251 CANFORD FADER BRIDGE 30mm
- 58-252 CANFORD FADER BRIDGE 39mm
- 58-253 CANFORD FADER BRIDGE 55mm
- 58-257 CANFORD FADER BRIDGE 150mm

Fader bridges are a clear plastic extrusion, used to link adjacent fader knobs to enable the faders to be operated “ganged” as a pair or group. Often used for linking two mono channels to operate as a stereo pair, or to link left and right master outputs.

The fader bridges are supplied pre-cut to suit most common mixer channel spacings but can readily be cut to specific lengths as required. The pre-cut length is shown in the product description.

**Note:** Canford does not keep a database of which fader knob profiles/mixer manufacturers that this fader bridge may fit although we do know that the P&G PG11 and PG16 fader knobs are suitable, (<https://www.canford.co.uk/PENNY-AND-GILES-FADER-KNOBS>). Please see drawing below for dimensions to ascertain if this bridge is suitable for your mixer fader knobs.

### Fader Bridge Drawing:



Not to Scale  
All Dims in mm  
Material thickness 1mm typical