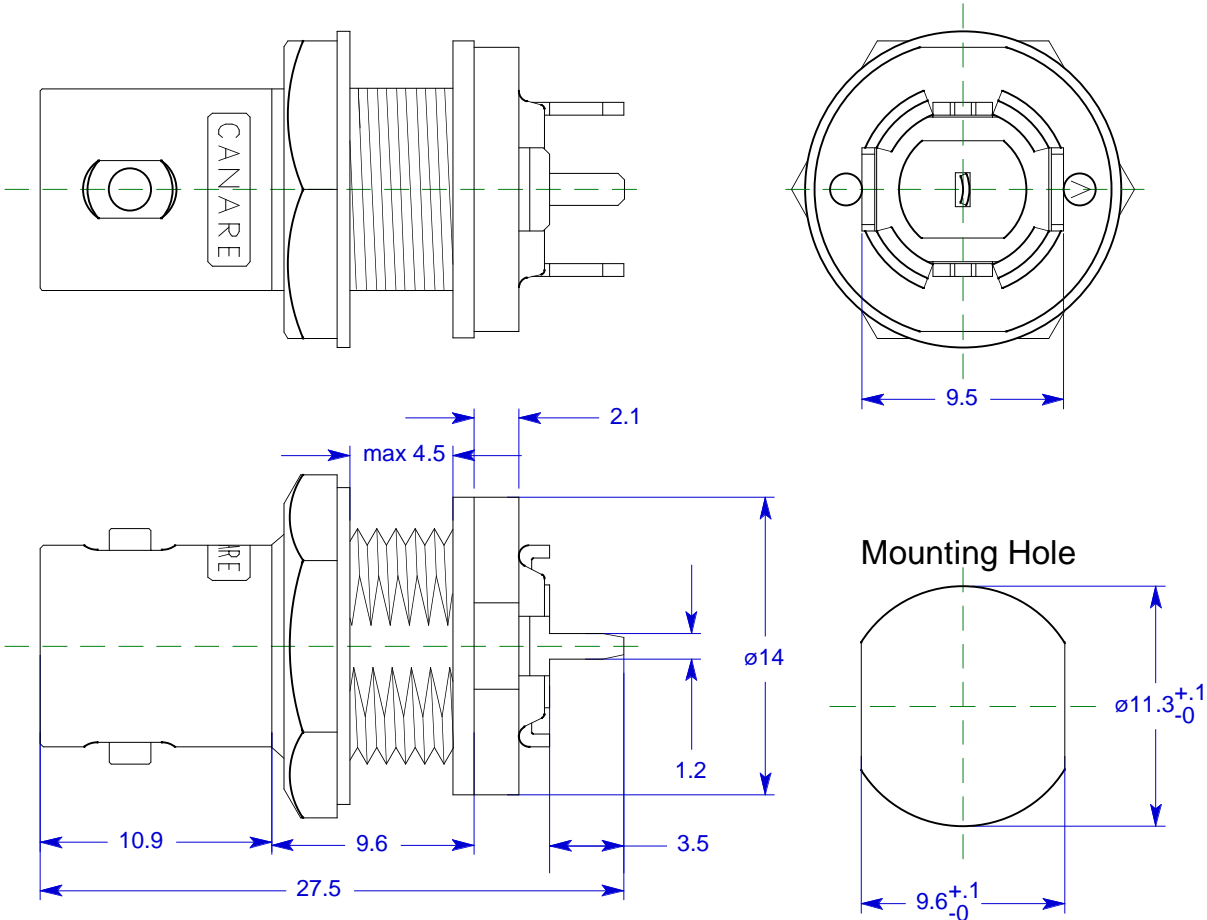
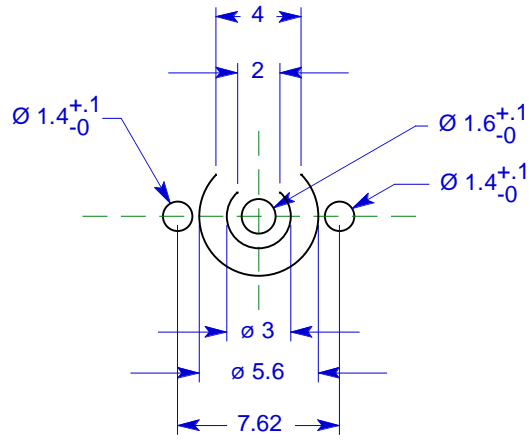


External Appearance



PC-Pattern for example



Date: 12/09/02 CS-SA-rev.2

CANARE
 ©2001 by Canare Corporation of America. All rights reserved.
 Specifications subject to change.

No.	Parts#	Name of Parts	Qty.	Material	End Finish		
Title	PJTN	Unit	Scale	Tol.	Date	Model	No.
BNC Receptacle	3rd Angl	mm	2√2:1	±0.05	6/22/93	BCJ-FPC02	BL056-S