



# BT8540

## LOW LEVEL FLAT SCREEN TROLLEY

This Pack Contains 1 Trolley

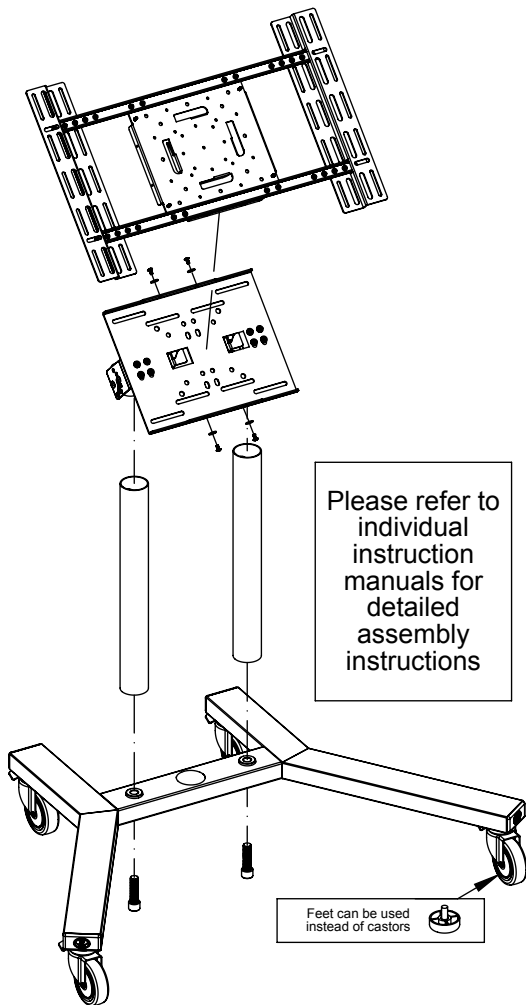
BETTER BY DESIGN™

PLEASE KEEP THIS PARTS LIST FOR FUTURE REFERENCE



### FEATURES

- Designed for use with touch screens up to 65" (165cm) / 70kg (154lbs)
- Maximum distance between fixings:  
H: 755mm (29.7") x V: 410mm (16.1")
- Fits all VESA® fixings up to 600 x 400mm
- The tilt can be set at 0°, 22.5°, 45°, 67.5° or 90°
- Mounts screen in landscape or portrait style
- Non-marking 4" locking/braked castors included
- Also supplied with optional screw in levelling feet
- 0.5m ø60mm poles supplied with cable management holes
- Trolley Dimensions (including wheels):  
Height: 881mm (34.7")  
Depth: 774mm (30.5")  
Width: 1130mm (44.5")



Please refer to individual instruction manuals for detailed assembly instructions

Feet can be used instead of castors



### B-TECH AUDIO VIDEO MOUNTS

HEAD OFFICE  
B-Tech International Limited  
Bennett House, Long March, Daventry, Northants., NN11 4NR, UK  
Email: info@btechavmounts.co.uk

©2013 B-Tech International Limited. All rights reserved. B-Tech Audio Video Mounts is a division of B-Tech International Limited. B-Tech, Better By Design and Mountlogic are registered trademarks of B-Tech International Limited. All other brands and product names are trademarks of their respective owners. Photographs are for illustrative purposes only. E&OE. B-Tech International Ltd, its distributors and dealers are not responsible for damage or injury caused by improper installation, improper use, modifications, installations over the specified weight capacity and/or failure to observe these safety instructions. In such cases, any warranty will expire. It is recommended that this product should only be installed by a qualified professional / installer. B-Tech does not claim any liability for any difficulties that may arise from the interpretation of information contained in these instructions. Failure to mount this product correctly may lead to serious injury and/or death. Please check carefully to make sure there are no missing or defective parts - defective parts must never be used. In the event of missing and/or defective parts, or technical questions, please contact an authorised dealer.