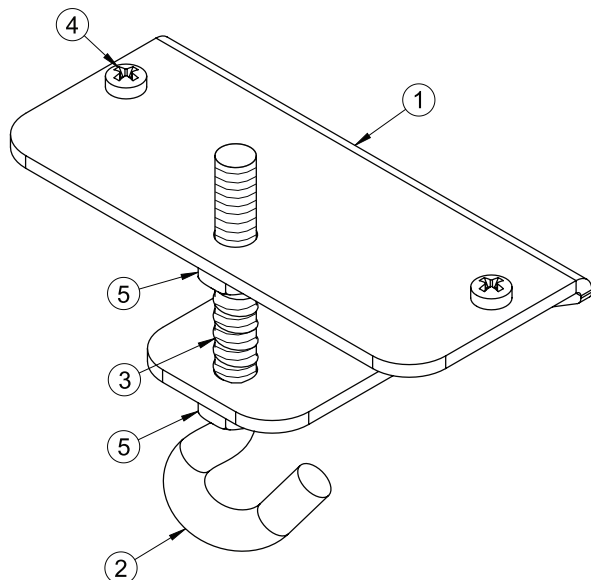




BT8310-LK LOCKING KIT FOR USE WITH BT8310 VIDEO WALL MOUNTS PARTS LIST

This pack contains 1 Locking kit

PLEASE KEEP THIS FOR FUTURE REFERENCE

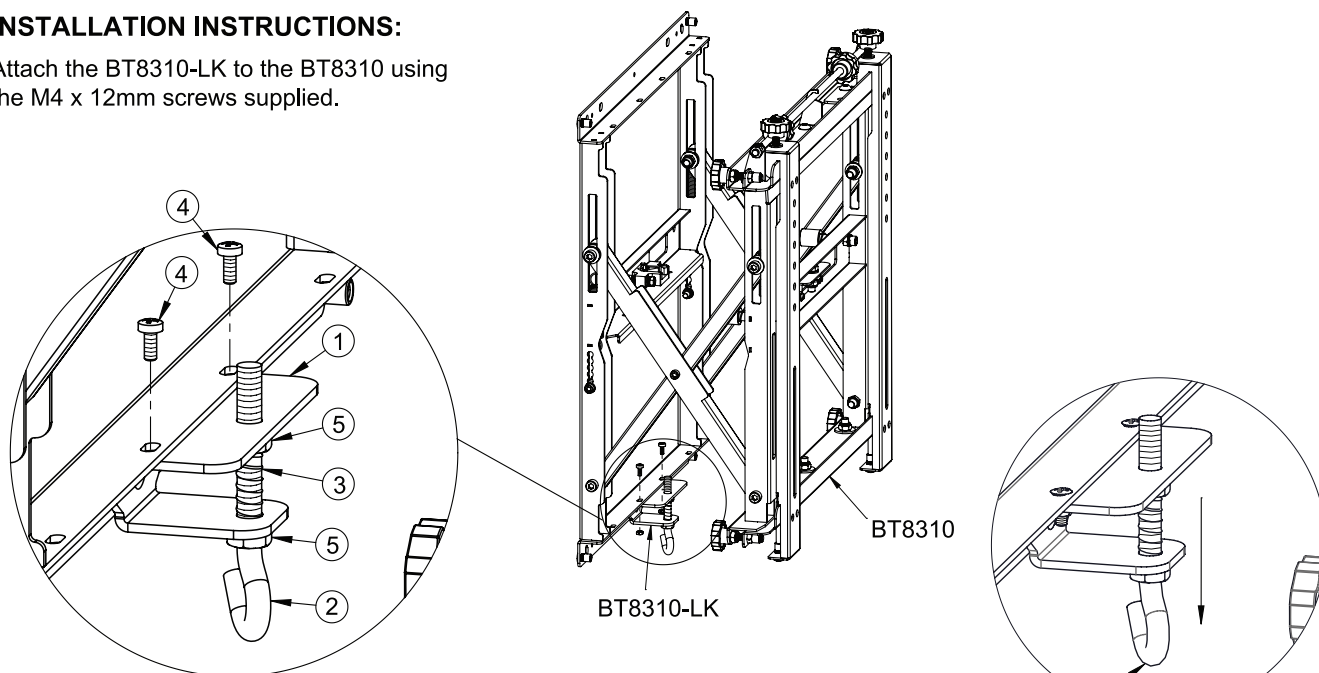


PARTS LIST

REF	PART NAME	QTY
1	LOCKING PLATE	1
2	M8 x 60mm HOOK BOLT	1
3	SPRING	1
4	M4 x 12mm SCREW	2
5	M8 NUT	2

INSTALLATION INSTRUCTIONS:

Attach the BT8310-LK to the BT8310 using the M4 x 12mm screws supplied.



Simultaneously pull hook and push mount to release the screen

B-TECH AV MOUNTS

HEAD OFFICE

B-Tech International Limited

Bennett House, Long March, Daventry, Northants., NN11 4NR, UK

Email: info@btechavmounts.com

©2019 B-Tech International Design and Manufacturing Limited. All rights reserved. B-Tech AV Mounts is a division of B-Tech International Design & Manufacturing Ltd. B-Tech, Better By Design and B-Tech-Pro are registered trademarks of B-Tech International Design & Manufacturing Ltd. All other brands and product names are trademarks of their respective owners. Photographs are for illustrative purposes only EO&E. B-Tech International Design & Manufacturing Ltd, it's distributors and dealers are not responsible for damage or injury caused by improper installation, improper use, modifications, installations over the specified weight capacity and/or failure to observe these safety instructions. In such cases, any warranty will expire. It is recommended that this product should only be installed by a qualified professional / installer. For indoor use only. B-Tech does not claim any liability for any difficulties that may arise from the interpretation contained in these instructions. Failure to mount this product correctly may lead to serious injury and/or death. Please check carefully to make sure there are no missing or defective parts - defective parts must never be used. In the event of missing and/or defective parts, or technical questions, please contact an authorised dealer.

www.btechavmounts.com

AMA-BT8310-LK-V1-0619-57 Made in Vietnam