




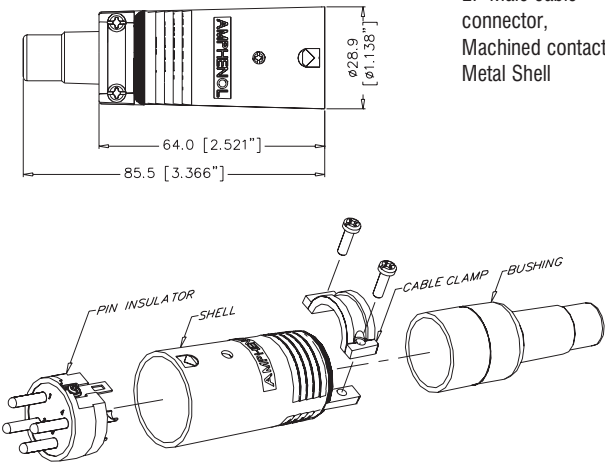

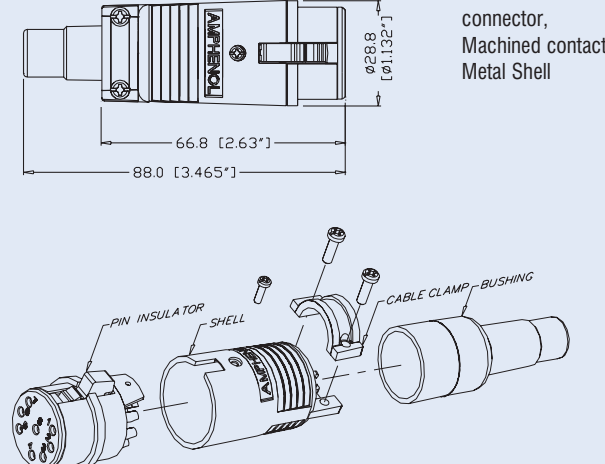
The EP Series has set the standard in high performance speaker connectors. Apart from its durability and strength, it offers consistent superior power handling capabilities.

Features:

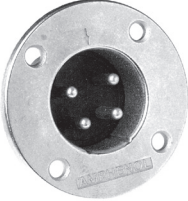
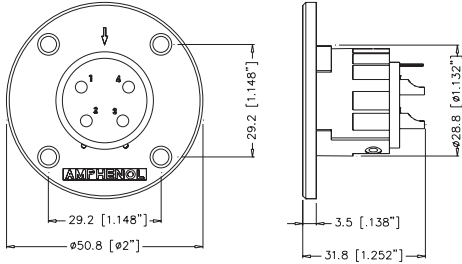
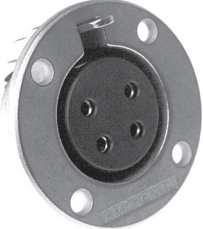
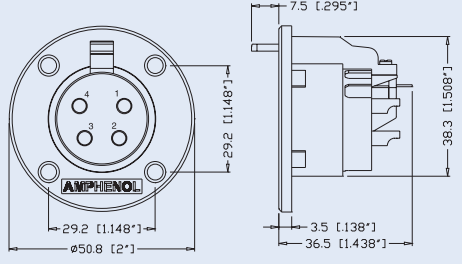
- Solder Bucket connections.
- Precision machined contacts.
- Diecast Metal Housings
- High current contacts
- Male and female cable and chassis connectors available.

Options: Black Finish Shell.
Panel Cutouts: Page 78

Specifications: Page 77-78

| PRODUCT - FIGURE | DRAWING | DESCRIPTION | VARIATIONS | PART NUMBER |
|---|--|--|----------------------|-------------|
|  <p>ISO ASSEMBLY OF EP MALE</p> | <p>Dimensions in mm (inches)</p>  | <p>EP Male cable connector, Machined contacts, Metal Shell</p> | 3 pole nickel finish | EP-3-12 |
| | | | 3 pole black finish | EP-3-12B |
| | | | 4 pole nickel finish | EP-4-12 |
| | | | 4 pole black finish | EP-4-12B |
| | | | 5 pole nickel finish | EP-5-12 |
| | | | 5 pole black finish | EP-5-12B |
| | | | 6 pole nickel finish | EP-6-12 |
| | | | 6 pole black finish | EP-6-12B |
| | | | 8 pole nickel finish | EP-8-12 |
| 8 pole black finish | EP-8-12B | | | |
|  <p>ISO ASSEMBLY OF EP FEMALE</p> |  | <p>EP Female cable connector, Machined contacts, Metal Shell</p> | 3 pole nickel finish | EP-3-11P |
| | | | 3 pole black finish | EP-3-11PB |
| | | | 4 pole nickel finish | EP-4-11P |
| | | | 4 pole black finish | EP-4-11PB |
| | | | 5 pole nickel finish | EP-5-11P |
| | | | 5 pole black finish | EP-5-11PB |
| | | | 6 pole nickel finish | EP-6-11P |
| | | | 6 pole black finish | EP-6-11PB |
| | | | 8 pole nickel finish | EP-8-11P |
| 8 pole black finish | EP-8-11PB | | | |



| PRODUCT - FIGURE | DRAWING | DESCRIPTION | VARIATIONS | PART NUMBER |
|---|--|--|----------------------|-------------|
|  | <p style="text-align: center;">Dimensions in mm (inches)</p>  | <p>EP Male chassis mount, Round Flange, Machined contacts, Metal Shell</p> | 3 pole nickel finish | EP-3-14 |
| | | | 3 pole black finish | EP-3-14B |
| | | | 4 pole nickel finish | EP-4-14 |
| | | | 4 pole black finish | EP-4-14B |
| | | | 5 pole nickel finish | EP-5-14 |
| | | | 5 pole black finish | EP-5-14B |
| | | | 6 pole nickel finish | EP-6-14 |
| | | | 6 pole black finish | EP-6-14B |
| | | | 8 pole nickel finish | EP-8-14 |
| | | | 8 pole black finish | EP-8-14B |
|  |  | <p>EP Female chassis mount, Round Flange, Machined contacts, Metal Shell</p> | 3 pole nickel finish | EP-3-13P |
| | | | 3 pole black finish | EP-3-13PB |
| | | | 4 pole nickel finish | EP-4-13P |
| | | | 4 pole black finish | EP-4-13PB |
| | | | 5 pole nickel finish | EP-5-13P |
| | | | 5 pole black finish | EP-5-13PB |
| | | | 6 pole nickel finish | EP-6-13P |
| | | | 6 pole black finish | EP-6-13PB |
| | | | 8 pole nickel finish | EP-8-13P |
| | | | 8 pole black finish | EP-8-13PB |





The AP Series provides the same power handling performance as the EP Series in a cost effective, yet durable Thermoplastic housing.

Features:

- Solder Bucket connections.
- Precision machined contacts.
- Thermoplastic Housings
- High current contacts
- Male & Female Cable and Chassis connectors available.

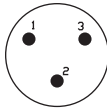
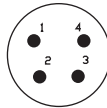
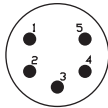
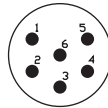
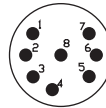
Specifications: Page 77-78

Panel Cutouts: Page 78

| PRODUCT - FIGURE | DRAWING | Dimensions in mm (inches) | DESCRIPTION | VARIATIONS | PART NUMBER |
|------------------|---------|---------------------------|--|------------|-------------|
| | | 100.0 [3.937"] | AP Male cable connector, Machined contacts, Thermoplastic Black shell. | 4 pole | AP-4-12 |
| | | | | 5 pole | AP-5-12 |
| | | | | 6 pole | AP-6-12 |
| | | | | 8 pole | AP-8-12 |
| | | 98.7 [3.886"] | AP Female cable connector, Machined contacts, Thermoplastic Black shell. | 4 pole | AP-4-11 |
| | | | | 5 pole | AP-5-11 |
| | | | | 6 pole | AP-6-11 |
| | | | | 8 pole | AP-8-11 |
| | | ø32.4 [ø1.276"] | AP Male chassis mount, Round Flange, Machined contacts, Thermoplastic Black shell. | 4 pole | AP-4-14 |
| | | | | 5 pole | AP-5-14 |
| | | | | 6 pole | AP-6-14 |
| | | | | 8 pole | AP-8-14 |
| | | ø32.4 [ø1.276"] | AP Female chassis mount, Round Flange, Machined contacts, Thermoplastic Black shell. | 4 pole | AP-4-13 |
| | | | | 5 pole | AP-5-13 |
| | | | | 6 pole | AP-6-13 |
| | | | | 8 pole | AP-8-13 |
| | | ø32.4 [ø1.276"] | AP Male chassis mount, Rectangular Flange, Machined contacts, Thermoplastic Black shell. | 4 pole | AP-4-22 |
| | | | | 5 pole | AP-5-22 |
| | | | | 6 pole | AP-6-22 |
| | | | | 8 pole | AP-8-22 |
| | | ø32.4 [ø1.276"] | AP Female chassis mount, Rectangular Flange, Machined contacts, Thermoplastic Black shell. | 4 pole | AP-4-21 |
| | | | | 5 pole | AP-5-21 |
| | | | | 6 pole | AP-6-21 |
| | | | | 8 pole | AP-8-21 |



STANDARD DATA EP/AP

| | | VALUE | | | | |
|-----------------------------------|--|---|---|---|---|---|
| GENERAL CHARACTERISTICS | Number of contacts | 3 | 4 | 5 | 6 | 8 |
| | Contact Arrangements (Front view of pin insert) |  |  |  |  |  |
| | Termination | SOLDER | | | | |
| | Wire Gauge - Stranded wire: | 12AWG | 12AWG | 12AWG | 12AWG | 14AWG |
| | Flammability | UL94V-0 | | | | |
| | Environmental | Complies with RoHS Directive 2002/95/EC | | | | |
| ELECTRICAL CHARACTERISTICS | Service Voltage RMS ¹⁾ | 460V | 660V | 200V | 200V | 100V |
| | Test Voltage AC RMS | 2400V | 3000V | 1600V | 1600V | 1300V |
| | Current carrying capacity | 20A | 20A | 20A | 20A | 15A |
| | Typical Contact Resistance | ≤3mΩ | | | | |
| | Insulation Resistance | ≥1000MΩ | | | | |
| CLIMATIC CHARACTERISTICS | Protection Class | IP40 | | | | |
| | Operating Temperature | -25 °C to +75 °C (-13°F to +167°F) | | | | |
| MECHANICAL CHARACTERISTICS | Weight - EP 11 & 12 ²⁾ | 80g (0.176lb) | 84g (0.185lb) | 86g (0.189lb) | 86g (0.189lb) | 86g (0.189lb) |
| | Weight - EP 13 & 14 ²⁾ | 48g (0.105lb) | 50g (0.110lb) | 54g (0.119lb) | 54g (0.119lb) | 54g (0.119lb) |
| | Weight - AP 11 & 12 ²⁾ | N/A | 42g (0.092lb) | 44g (0.097lb) | 44g (0.097lb) | 44g (0.097lb) |
| | Weight - AP 13, 14, 21 & 22 ²⁾ | N/A | 26g (0.057lb) | 30g (0.066lb) | 30g (0.066lb) | 28g (0.061lb) |
| | Typical Cable retention force | 22Kg to 44Kg (50lb to 100lb) - Dependant on cable material and diameter | | | | |
| | Mechanical operations | 1000 mating cycles | | | | |

¹⁾ Not suitable for domestic applications above 50V

²⁾ Approximate weight only, does not include packaging. Please contact us for exact weight for shipping purposes.



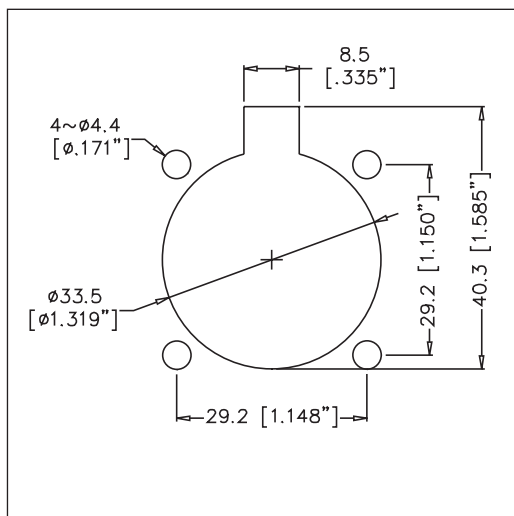
STANDARD DATA EP/AP (CONT'D)

| | | DETAILS | |
|--------------------------|----------------------------------|----------------------------------|---------------------------------|
| MATERIALS | TYPE | AP | EP |
| | Connector shell | Modified PPE Resin | Diecast Zinc Alloy |
| | Shell finish | Black | Satin Nickel or Black |
| | Insulators | UL94V-0 PBT Resin | |
| | Cable Bushing | Silicon Rubber | UL94 HB Thermoplastic Elastomer |
| | Male contact Machined - Solder | Brass / Bright Tin | |
| | Material / Plating | | |
| | Female contact Machined - Solder | Brass / Bright Tin | |
| | Material / Plating | | |
| CLAMPING CHARACTERISTICS | Cable OD Range | 11mm to 17mm (0.43" to 0.67") | 9mm to 16mm (0.35" to 0.63") |
| | Retention Method | Two opposing plastic screws | Metal saddle clamp |



EP/AP SERIES PANEL CUTOUT DATA - FRONT VIEW

EP 13/AP 13/AP 21



EP 14/AP 14/AP 22

