

ADS

AUDIO DESIGN SERVICES

Waterproof Column Loudspeaker

ADS Column 60



ADS COLUMN 60 / 60W LOUDSPEAKER

An aluminium weatherproof indoor or outdoor column loudspeaker with a 70v/100v transformer. The Column 60 produces a clear sound with its high sensitive drivers, Easy installation and mounting with the pair of metal mounting brackets (Supplied).

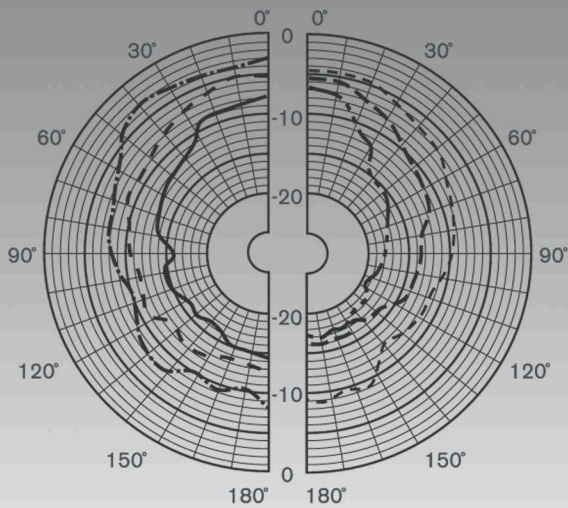
The ADS Column 60s are ideal for use in venues where good quality sound is required - these would include school and village halls, music centres, gyms, conference rooms, churches and other places of worship.

Features:

- Waterproof unit suitable for outdoor and indoor use.
- Small and elegant appearance.
- With Power Taps at 60W, 40W, 20W, 10W, 5W and 8 Ohm
- Strong aluminium alloy cabinets are rust resistant.

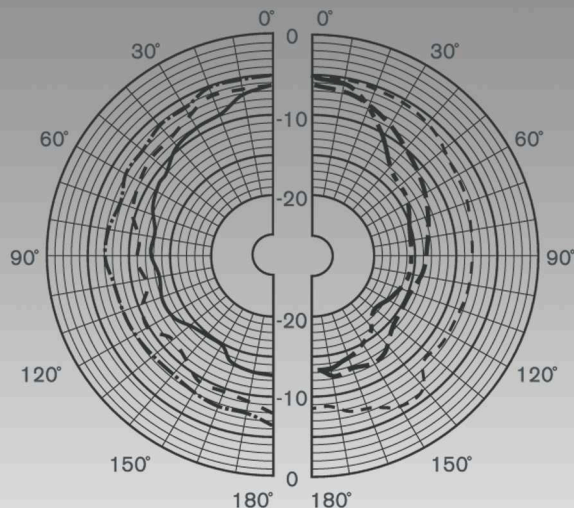
TECHNICAL SPECIFICATIONS

Order Code:	ADS Column 60
Rated Output Power:	60W
Driver Units:	3"x4,2"x1
Frequency Response:	140Hz-20kHz
Max. SPL:	107±3dB
Sensitivity:	89±3dB
Dimensions:	606×109×102mm
Weight:	4kg



- - - - 250 Hz - - - - 2000 Hz
 - - - - 500 Hz - - - - 4000 Hz
 - - - - 1000 Hz - - - - 8000 Hz

Column 60 Vertical directivity pattern

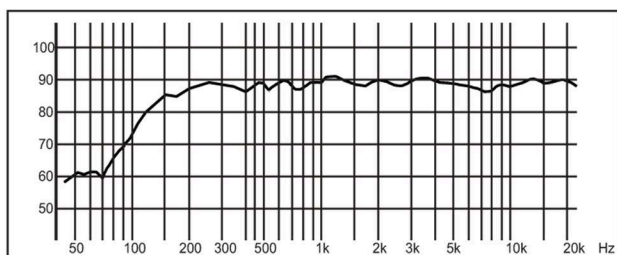


- - - - 250 Hz - - - - 2000 Hz
 - - - - 500 Hz - - - - 4000 Hz
 - - - - 1000 Hz - - - - 8000 Hz

Column 60 Horizontal directional pattern

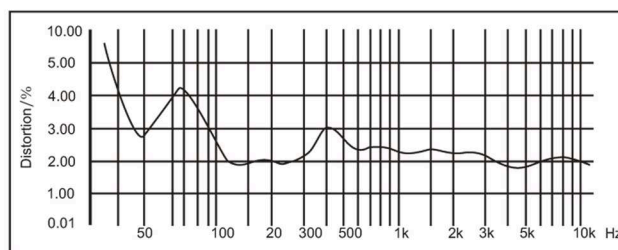
Freq.Response

(dB SPL, 1W, 1m)



Distortion

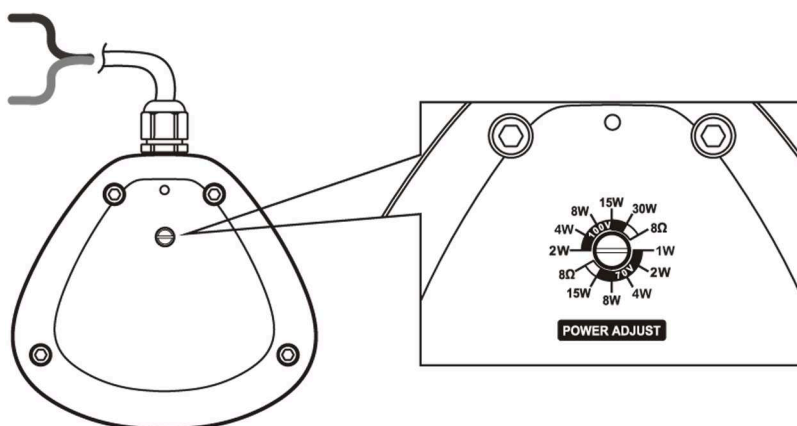
(THD < 5% 1W, 1m, 100Hz-10kHz)

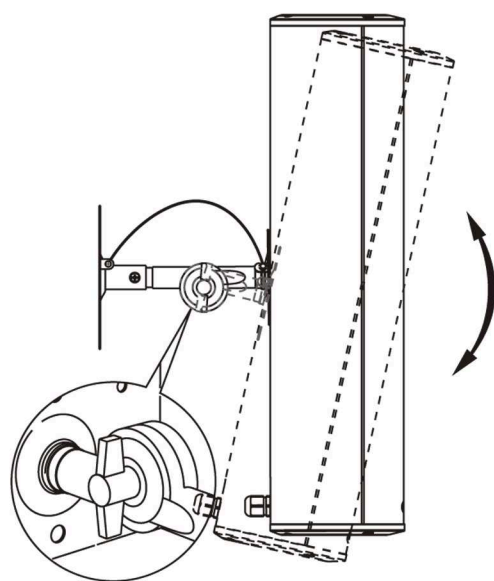
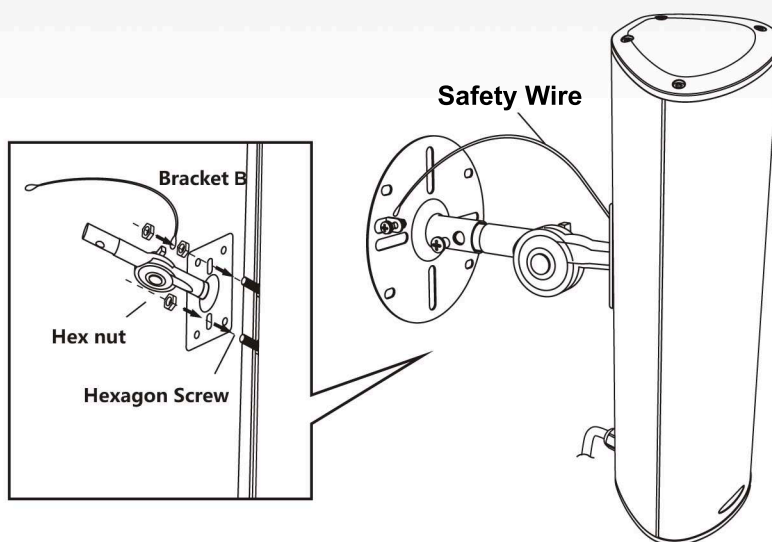
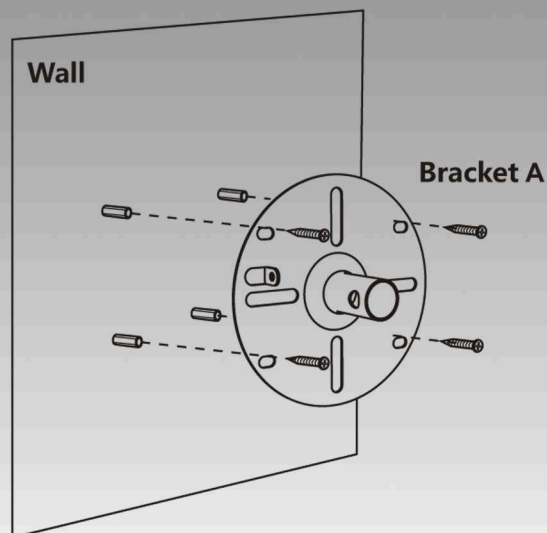
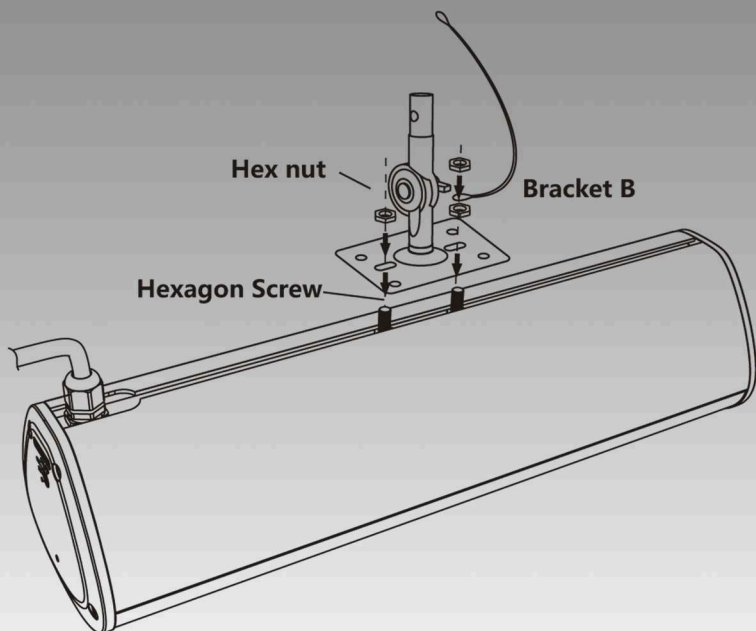


Wiring Information

White---70V/100V

Red---COM





Adjustable speaker angle